



Saunum

Saunum Sauna Control Unit **LEIL**

ENG • EST • RUS • LIT • LAT • POL

Sa

Sa

Saunum Sauna Control Unit LEIL

- INSTRUCTIONS FOR INSTALLATION AND USE
- PAIGALDUS- JA KASUTUSJUHEND
- ИНСТРУКЦИЯ ПО МОНТАЖУ И ЭКСПЛУАТАЦИИ
- NAUDOJIMO IR ĮRENGIMO INSTRUKCIJA
- LIETOŠANAS UN UZSTĀDĪŠANAS INSTRUKCIJAS
- INSTRUKCJA OBSŁUGI I INSTALACJI

ENGLISH	5
EESTI	37
РУССКИЙ	69
LIETUVA	101
LATVIJA	133
POLSKA	165



Saunum

Saunum Sauna Control Unit **LEIL**

Sa

THE BEST SAUNA EXPERIENCE TO HAVE!

I am very glad that you have invested in the Saunum device, and I believe that our innovative technology will offer you a wonderful and extraordinary sauna experience.

I have a degree in thermal engineering and come from Southern Estonia, where my love for saunas began. The special feature of local historic smoke saunas is the lower temperature and higher humidity level than, for example, a classic Finnish sauna. In ordinary saunas, the stone volume of the sauna heater is generally small. Such an arrangement can cause a sudden, burning hot steam and an extremely uneven temperature, where your head and shoulder level is really hot, but your feet are left cold. Such an experience can be quite unpleasant and may cause headaches and lead to body stress. However, in ancient smoke saunas and Native American saunas, the stones were first heated during the day. Then the heat stored in the stones was used to cleanse the body and create a truly enjoyable sauna experience.

Inspired by the experience of a smoke sauna, I wanted to create an innovative solution that combines the best features of an authentic sauna with modern technology; enabling a pleasantly mild and relaxing sauna experience without painfully scorching steam. For that, however, I had to solve the problem of how to achieve an even temperature, at both the head and foot levels. My development work was supported by research done alongside Tallinn University of Technology,



Sa

in which we analysed the thermal stratification and air movement in the sauna room. Saunum was born in cooperation between scientific thinking and technological innovation.

Saunum's unique patented mixing system of air layers captures the hot steam that rises under the ceiling of the sauna room, mixes it with the cooler air from the surface of the floor, and directs the milder steam back evenly. This makes for an enjoyable, unaggressive heat. You can sit in the sauna for a longer time, and enjoy a sweat and a deep cleanse without feeling tired. The stone volume of our heaters is significantly larger than other sauna heaters, which is the reason for the especially pleasant indoor climate with long and soft steam.

A moist steamy sauna, a sanarium, a therapeutic salt sauna, or a healthy aroma sauna – all of these functions are available on Saunum's devices to create a truly relaxing sauna experience. When using Himalayan salt balls in our device, salt ions that are beneficial to skin and respiratory tract evaporate and the steam circulates these into the air. Adding a sauna aroma system that blends steam and healthy aroma oil creates an even more enjoyable sauna environment.

Saunum's sauna devices are suitable for both adults and children.

Have a pleasant sauna!

Andrus Vare
The creator of Saunum



CONTENTS

Saunum **congratulates you**
on choosing an innovative
sauna control unit!

Warnings and notes _____	10
DIRECTION FOR USE	
Using the heater and instructions for bathing _____	12
Control unit _____	13
Indicators _____	15
Heating _____	16
Using the Saunum sauna climate function _____	16
Configuring the sauna _____	17
Sauna scheduling _____	21
Technical data _____	24
INSTRUCTIONS FOR INSTALLATION	
Installing the control panel _____	26
Installing the power unit _____	29
Electrical connections _____	30
Installing the door sensor _____	32
Installing the temperature sensor _____	32
Warranty conditions _____	34
Installation report _____	35

Sa



All users of this product must read the warnings and manual carefully before using the product! Failure to follow the instructions could result in personal injury, death, fire, and/or property damage, and the device's warranty may be voided.

The control panel is meant for controlling the sauna heater and the functions intended for the control unit.

It is not to be used for any other purpose!

This device should not be used by children, people with reduced mobility or sick people. Children should use the device only under constant and close adult supervision.

Persons with reduced physical, sensory, or mental capabilities, or persons with a lack of experience and knowledge, should use this device only under constant and close adult supervision and only after consulting with a physician.

Before using sauna, all users should consult with a physician to ensure that they have no health conditions that would make sauna bathing unsafe, and discuss time and temperature limitations. Pregnant women should consult their physician before the use of the sauna. Excessive body temperatures have the potential to cause foetal damage during early pregnancy.

Use of drugs, medication, or alcohol before or during the sauna session may lead to dizziness or unconsciousness, resulting in injury or death. No person should use this product while under the influence of alcohol or drugs. Persons taking medications should consult with their physician to ensure that it is safe to use sauna while taking their medications. Users should place a towel between their skin and sauna bench or wall while sitting or lounging in the room. When using the sauna, be aware of the dangers associated with going to the sauna. Do not stay in the sauna steam room for more than 30 minutes at a time.

Prolonged exposure to steam can be harmful or fatal. Users should discontinue using

Sa

the sauna if they feel light-headed, dizzy, or experience heat exhaustion. It is prohibited to sleep inside the heated sauna. Users should take care to avoid falling asleep while using the sauna.

The electrical device should only be connected to the mains in accordance with all laws and regulations by a licenced, professional, certified electrician.

After connecting and installing the control unit, the installer must inform the sauna owner or operator of all operating requirements.

The requirements for use must be given by the owner or operator to everyone who uses the sauna.

All maintenance other than regular surface cleaning of the product must be performed by a trained professional.

Always disconnect the device from the mains before carrying out any maintenance work!

- Check the control unit for visible damage before installation and use. Do not use a damaged device or a device that has been modified from the original manufacturer's condition in any way.

- It is vital to install the device according to the instructions for installation and use. Failure to carefully follow all instructions can cause the risk of fire or short-circuit, leading to property damage, bodily injury, or death.
- No accessories that the manufacturer has not approved should be installed in this device. If suitable accessories are installed in the device, follow the accessory-specific operating and installation instructions!
- If the supply cord is damaged, it must be replaced by the manufacturer's service partner or a similarly qualified licenced, professional, certified electrician to avoid a hazard.
- Clean the control panel by using a lightly moistened cloth. Use only mild cleaning agents, never solvents or corrosive chemicals. Allow the product to dry thoroughly before operation.
- This product should not be disposed of with general household waste. When recycling your product, take it to your local collection facility or contact the place of purchase.

Sa

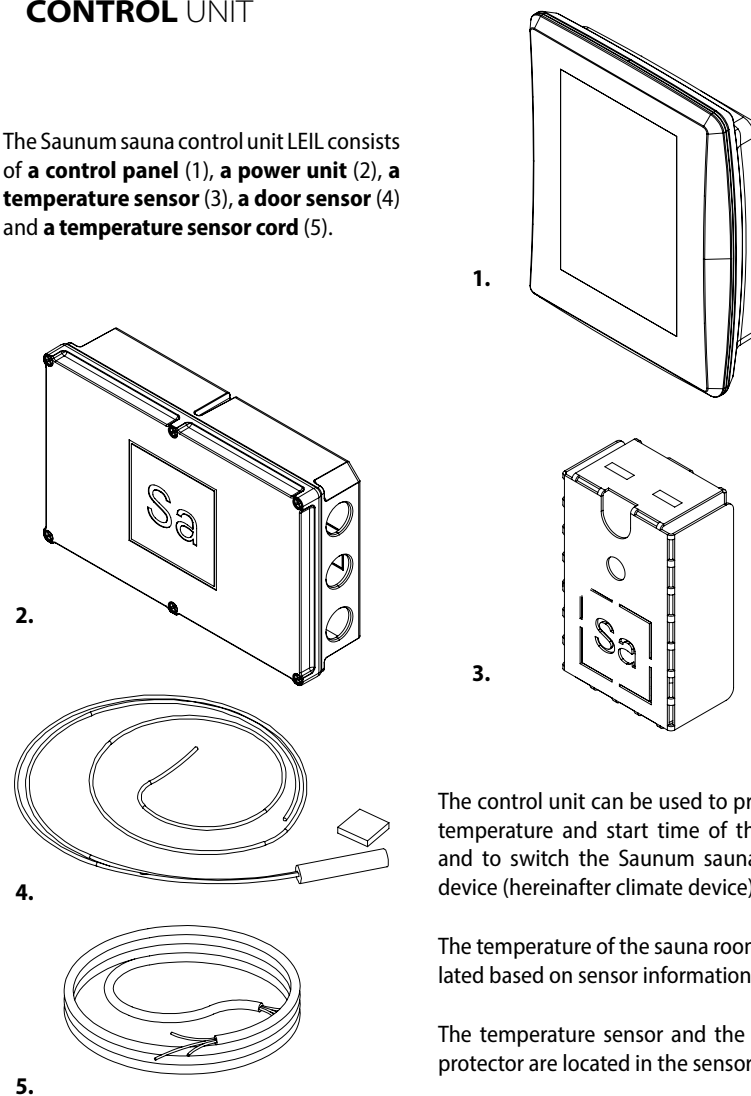
USING THE HEATER AND INSTRUCTIONS FOR BATHING

- Always check before heating that there are no objects on the heater or near the heater's safety distance described in the manufacturer's heater manual.
- Always check that the heater has switched off and stopped heating after the on-time period has elapsed.
- In public saunas, where the heater is used continuously for longer than the heater timer or the control unit allows for in the factory settings, the device must only be used under constant adult supervision by a person not using the sauna while performing the supervision.
- When the control unit is set to standby mode for remote control or switching, it must be ensured in advance that there are no objects in the steam room or on the heater that do not match the safety distances specified in the manufacturer's heater instructions.
- According to the product standard IEC/EN 60335-2-53 regulating electrical sauna heaters, the control unit can be used to remotely control the heater once the heater or sauna room door is equipped with a safety switch (door sensor).
- Prolonged sauna use can damage your health or cause death.
- Do not stay in the steam room for more than 30 continuous minutes (in a row).
- Leave the steam room if you feel sleepy, dizzy, or weak.
- Do not dry objects or living things in the sauna.

Sa

CONTROL UNIT

The Saunum sauna control unit LEIL consists of a **control panel** (1), a **power unit** (2), a **temperature sensor** (3), a **door sensor** (4) and a **temperature sensor cord** (5).



The control unit can be used to pre-set the temperature and start time of the heater and to switch the Saunum sauna climate device (hereinafter climate device) speed.

The temperature of the sauna room is regulated based on sensor information.

The temperature sensor and the overheat protector are located in the sensor casing.



USING THE HEATER WITH THE CONTROL UNIT

The heating elements will automatically turn off when the sauna room reaches the temperature selected on the control panel.

The control unit will automatically turn the heating elements on and off to maintain the desired temperature.

The heater will turn off when the set time ends, the "Stop" button is pressed, or an error occurs.

CONTROL UNIT

- Controls the sauna temperature and the speed of the climate device.
- Three pre-set sauna types that can be changed yourself.
- It is possible to select a time for the sauna to be ready for use (heating starts approx. 1.5 hours earlier).
- Notification of when the sauna is ready – screen notification. Using the Saunum App, and on the mobile app.
- Languages.
- Touch screen.
- Screen lock / Child lock.
- Overheating protection.

- The desired functions can be selected from the intuitive screen, the numerical values displayed in red can be changed.
- Remote control – with the Saunum mobile app.

Devices with in-app support enabled can also be controlled and configured via a mobile phone.

The remote control of the heater can be used only when a safety door sensor has been installed (according to the product standard IEC/EN 60335-2-53 regulating electrical sauna heaters).

The heater can only be switched on remotely when the door is closed. If the circuit is open, the heater will not start.

After completing of the control unit, the installer should give this manual to the owner of the sauna. The product owner should provide the manual to all persons using or operating the sauna. Please read more instructions for installation, use, and recycling in the original user manual of the control unit. Saunum reserves the right to modify this manual from time to time, and modifications will be posted to www.saunum.com. Failure to follow the instructions could result in personal injury, death, fire, and/or property damage, and the device's warranty may be voided.



INDICATORS



"Sauna ready" starting time



Temperature



Sauna duration



Climate device



Climate device speeds



Light



Heater power kW



Sauna room volume, m³



Screen lock / Child lock



Value increase



Value decrease



Move to next view



- 1
- 2
- 3
- 4
- 5

1. Menu
2. Light
3. Time
4. Heater state
5. Wi-Fi connection

Menu



Home

Settings

Control panel FWU

Power board FWU



HEATING

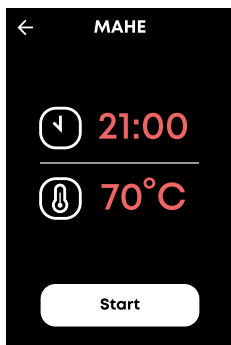
1. Tap the screen to get started.



Setting a sauna ready time.

The "sauna ready" time is when the sauna's steam zone temperature has reached the selected temperature level (heating starts approximately 1.5 hours earlier).

2. Tap the "Start" button to start heating the sauna.



While the sauna is in heating mode, it is possible to change the duration of the sauna session, and the temperature by tapping on the duration and temperature controls and selecting the desired numbers.

USING THE SAUNUM SAUNA CLIMATE FUNCTION

WARNING! The climate function should not be used while heating the sauna steam zone, as it can result in a prolonged heating time and potential overheating.

Use the climate device function of the sauna steam zone ONLY when using the sauna. To protect the sauna from overheating, the climate device can also start independently. Do not use the climate function unattended.

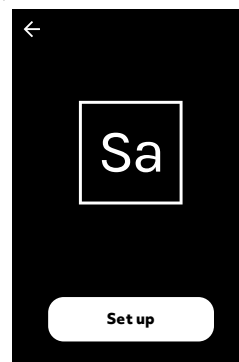


CONFIGURING THE SAUNA

Saunum's control unit LEIL is constantly being developed to add new functions that make the user experience more comfortable. Saunum notifies its customers of all software updates. The updates require an internet connection to download. In order to keep the software on your device up-to-date when it's not permanently connected to a Wi-Fi network, you need to create an internet access point with your mobile phone.

When installing the device for the first time, be sure to enable access to the internet and download the updates.

1. The "Set up" option will show on the first run. Tap "Set up" to begin the setup process.



2. Connecting to Wi-Fi. Select the appropriate Wi-Fi network by

tapping on the corresponding network name. If there is no need to connect the sauna control panel to the Wi-Fi network, tap the "Skip" button.

Install the control panel in a location with a good Wi-Fi connection. You can ensure an adequate Wi-Fi connection with your phone:

- Disable the mobile data on your phone.
- Turn on your phone's Wi-Fi.
- The Wi-Fi connection at the installation location is adequate if the Wi-Fi connection of your phone is good, and the applications that require data transfer work properly.

If the connection is not adequate:

- Try another location.
- If possible, change the location of your Wi-Fi router so that the connection to the Saunum Wi-Fi control panel is better.

The building structure, building materials, flush mounting, and other issues may reduce the quality of the Wi-Fi connection.

Tip! A Wi-Fi network extender can be used to enhance the network reach.

The Saunum Wi-Fi control panel is designed to control the electric sauna heater.

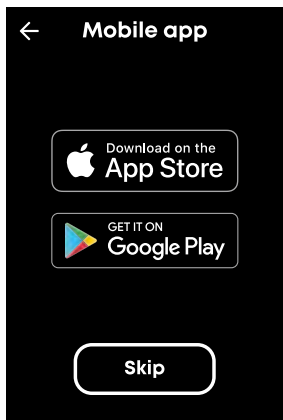


With the control panel, it is also possible to:

- Set and monitor the sauna temperature.
- Switch on and set the speed for the Saunum sauna climate function.
- See the heater status information.
- Set a scheduled start.

The Saunum Mobile App is a mobile application that allows you to control the Saunum control panel remotely.

3. Downloading the Saunum app.



If there is no need to use the mobile application, tap the "Skip" button.

4. Opening the Saunum app download.

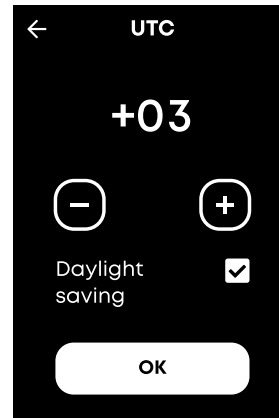


Scan the QR code that opens the Saunum app on Google Play or the App Store.

5. Connecting to the Saunum application, scan the QR code displayed on the control panel.

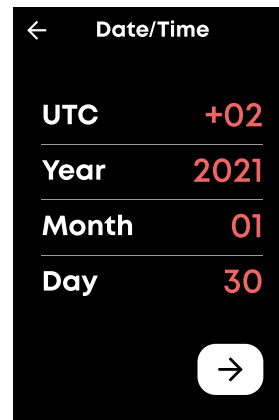


6. Setting the time zone.

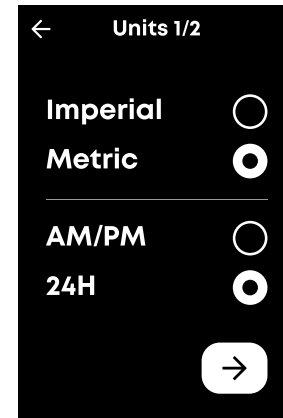


The local time zone (UTC) configuration is required if the sauna control panel has been previously connected to the Wi-Fi network.

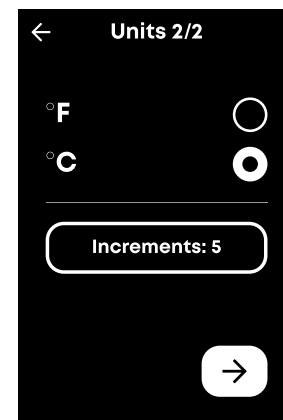
7. Setting the date and time.



8. Setting units (1/2).

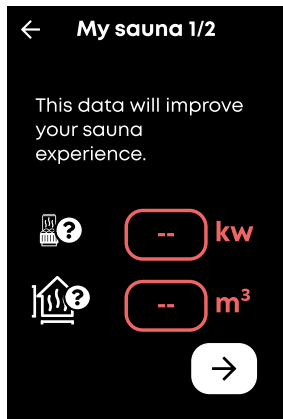


9. Setting the temperature unit (2/2).

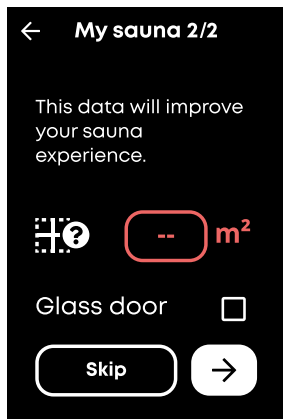




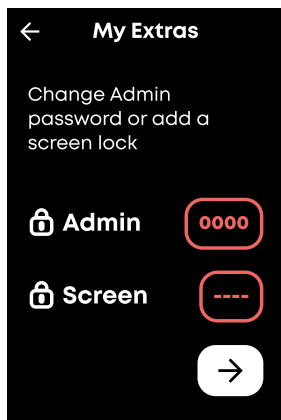
10. Entering sauna data (1/2).



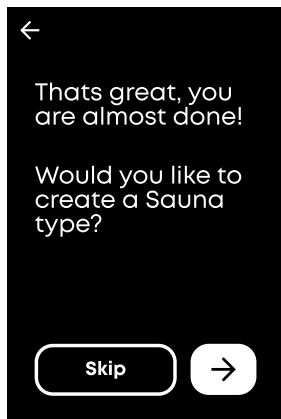
11. Entering sauna data (2/2).



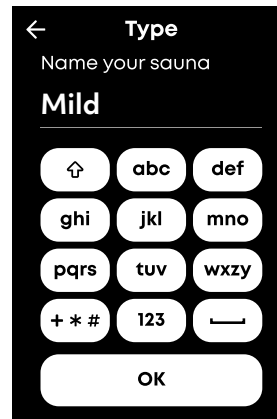
12. Setting passwords (default access password is 2002).



13. Creating a sauna type (1/4).



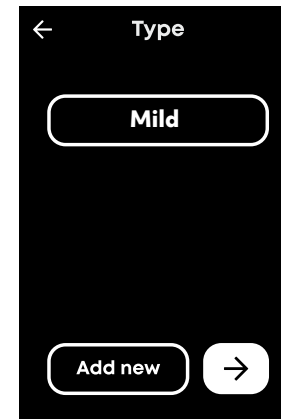
14. Creating a sauna type (2/4).



15. Creating a sauna type (3/4).

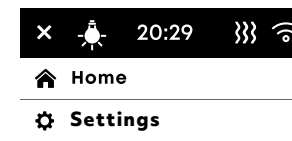


16. Creating a sauna type (4/4).



SAUNA SCHEDULING

Open the Menu.



Saunum allows you to schedule a sauna in advance by setting up a weekly schedule.

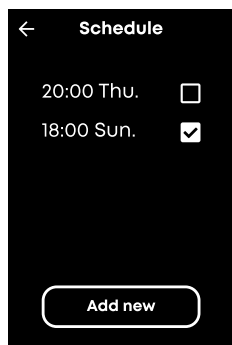
To do this, tap "Schedule" from the menu.



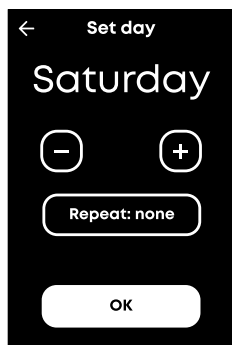
Always make sure the heater and area around the heater are clear before a scheduled sauna session.

Note that the planned sauna session does not start if the door has been left open at that time.

1. Open the Schedule.



2. Setting the day.

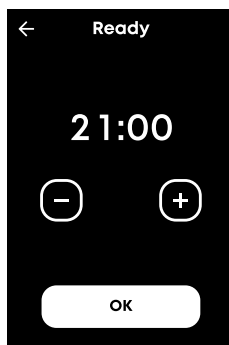


Before the selected time arrives, a message will appear stating that the heating session will start soon.

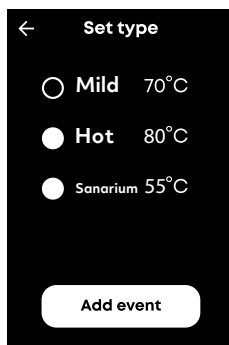
You can cancel the session by tapping "Cancel".

If you do not cancel it, the session will begin and, after the desired temperature is reached, it will run for 30 minutes, after which time it will stop unless the session is manually confirmed.

3. Setting the time.



4. Setting the sauna type.



Horizontal lines for writing instructions.



TECHNICAL DATA

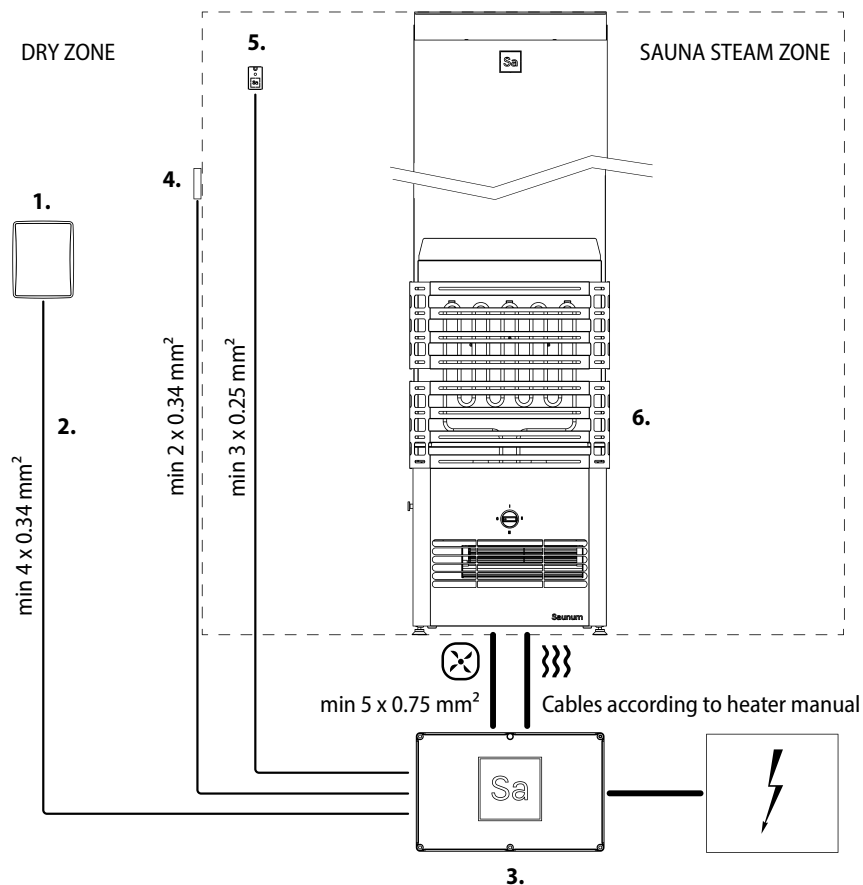
CONTROL PANEL:

- Temperature adjustment range 40–100 °C.
- Pre-setting the schedule for the week.
- Allows you to set the operating time of the heater: up to 6 hours in a private sauna, up to 12 hours in a public sauna.
- For longer operating times, consult the importer/manufacturer.
- Climate device three-speed control.
- Dimensions: 104 mm × 83 mm × 19.3 mm

POWER UNIT:

- Supply voltage: 230V 3N~.
- Heater power rating up to 9 kW/12 kW.
- Heaters with higher power need a separate “contactor box.”
- Dimensions: 61 mm × 160 mm × 225 mm.
- Safety device: door sensor, over-heat protector.

Storage conditions: -30–80 °C.



- | | |
|---|-----------------------------|
| 1. CONTROL PANEL | 4. DOOR SENSOR |
| 2. DATA CABLE (supplied by the installer) | 5. TEMPERATURE SENSOR |
| 3. POWER UNIT | 6. HEATER (sold separately) |

Sa

INSTRUCTIONS FOR INSTALLATION

WARNING! Failure to install the product in accordance with all instructions herein will void the warranty. It can result in the risk of fire and/or electrical short-circuiting, leading to property damage, bodily injury, or death.

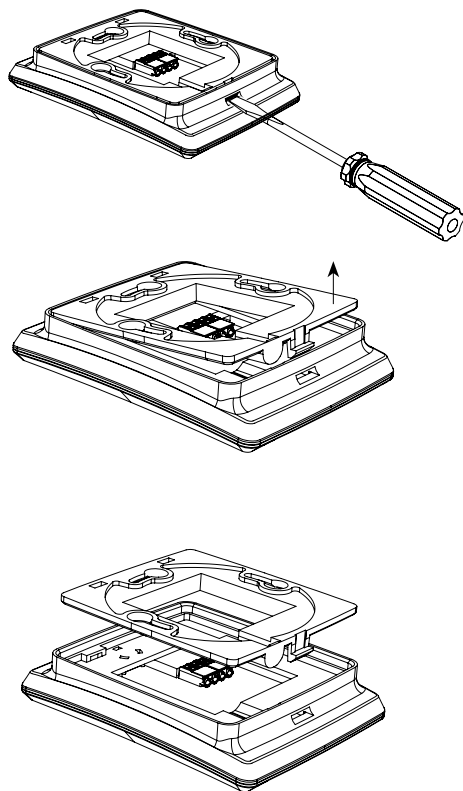
A licenced professional electrician may only do the installation of the control unit in accordance with current regulations. The person in charge of the installation should provide the necessary training and return the user manual to the product owner after completing the installation. The product owner should provide access to the manual to all persons using or operating the product.

INSTALLING THE CONTROL PANEL

For concealed installation, the data cable can be installed in a protective tube inside the wall; if this is not possible, it must be installed on the wall surface.

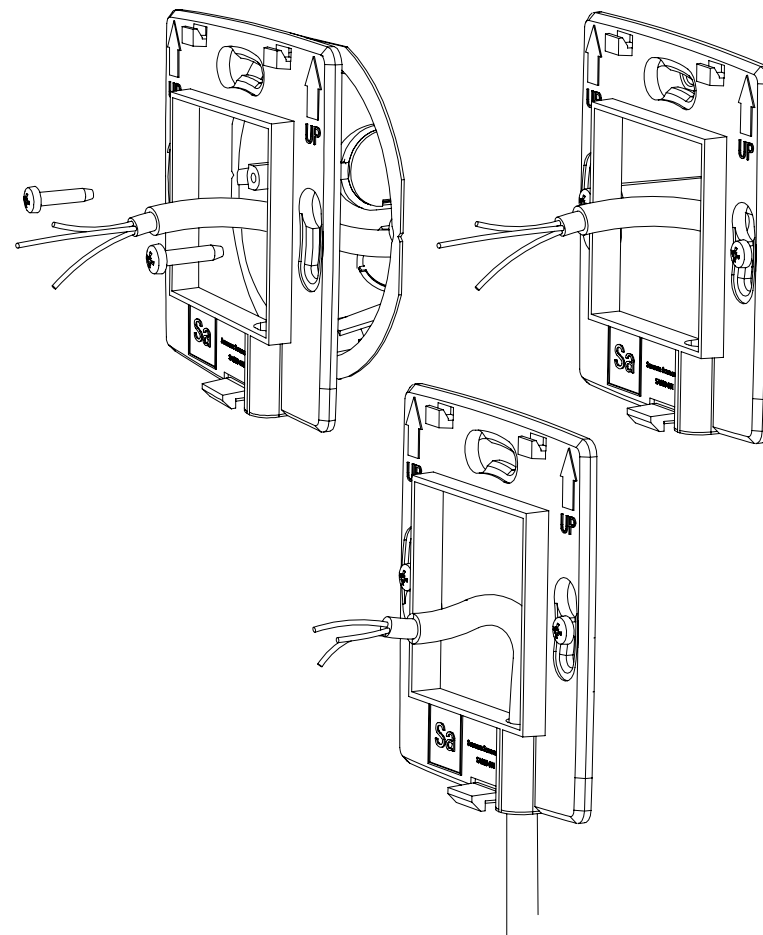
The control panel must be installed on the wall, in a place protected from water splashes.

1. Remove the wall mount from the device.



Sa

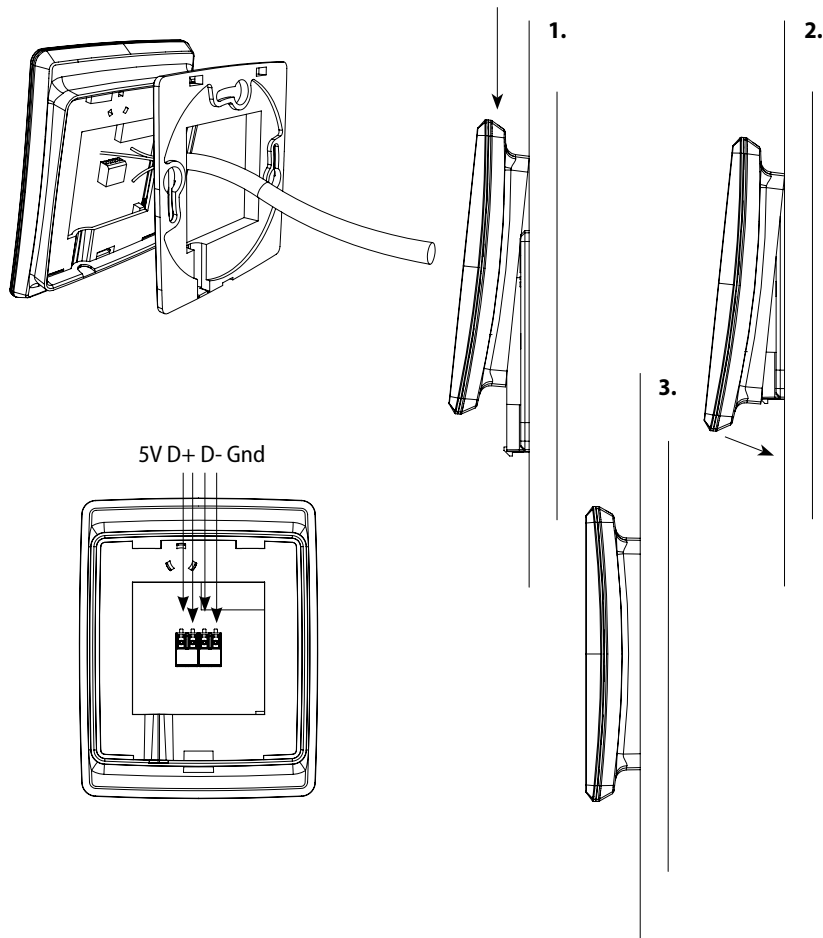
2. Thread the data cable through the hole in the wall mount.
3. Fasten the wall mount to the wall with screws.



Sa

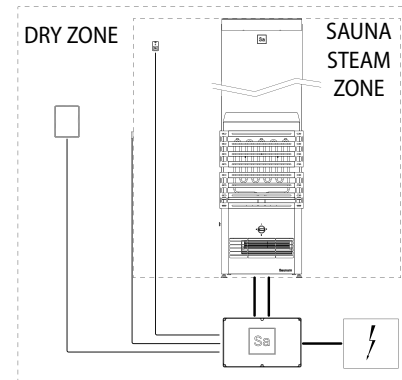
4. Connect the data cable to the connector.

5. Press the control panel into the wall mount.

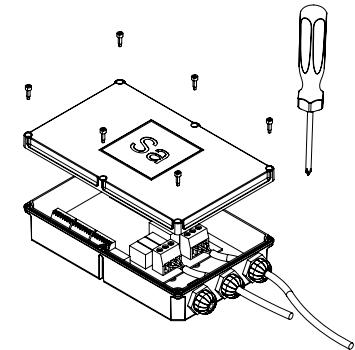


Sa

INSTALLING THE POWER UNIT

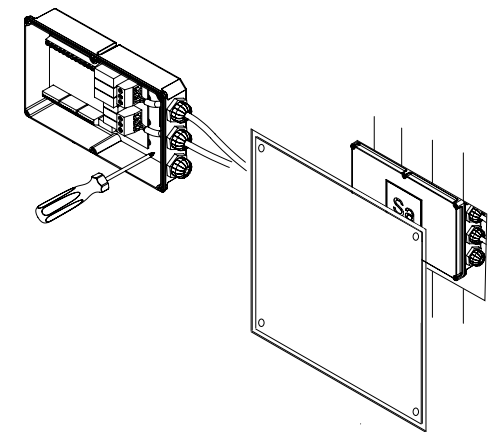


1. Open the cover of the power unit.



The installation spot must be dry, and its temperature must not exceed 65 °C.

2. Drill holes in the case and attach the power unit to the wall or electrical panel.



Sa

ELECTRICAL CONNECTIONS

The connection of the power unit is shown on the diagram of electrical connections.

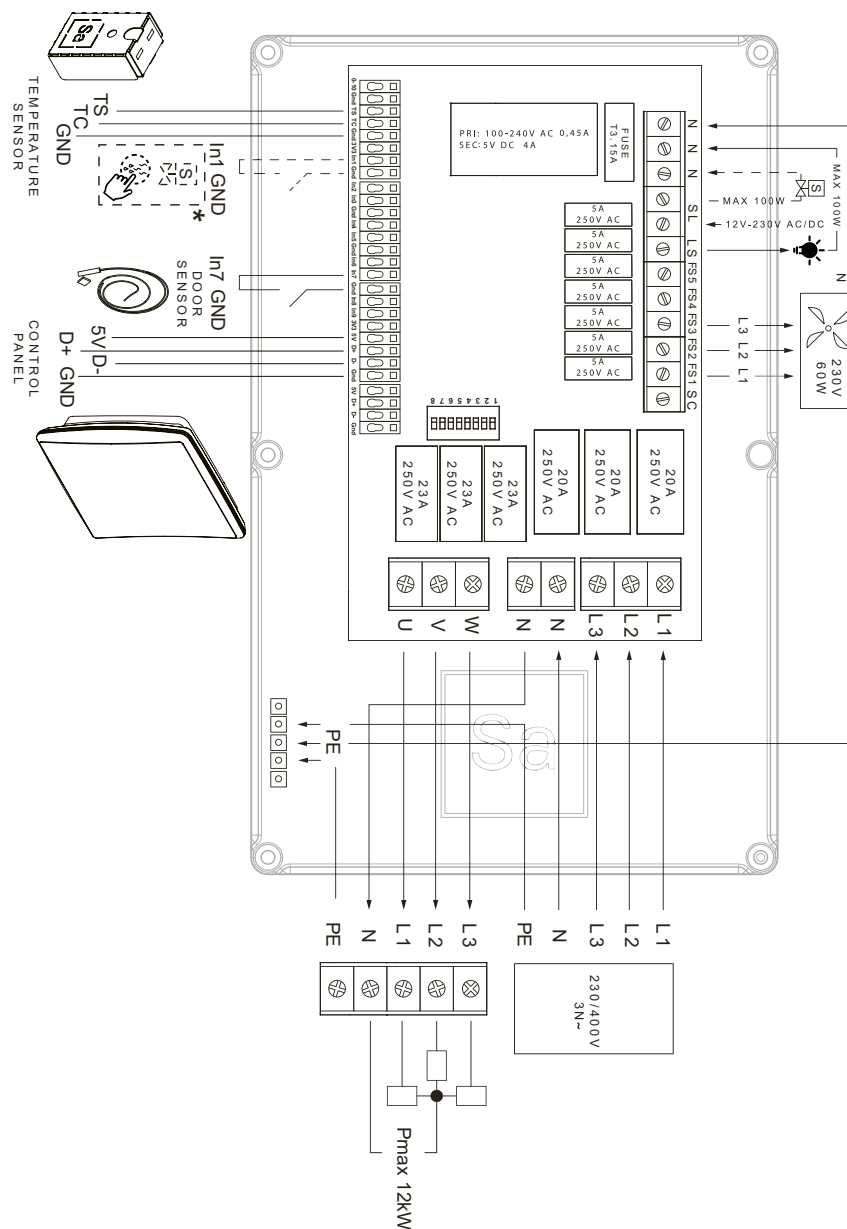
For more information on connecting the heater, see the heater installation and operating instructions.

- If the connection and installation cables are located higher than 1000 mm from the floor of the sauna room or inside the walls of the sauna room, they must be able to withstand a temperature at least 170 °C (e.g., SSJ). Electrical equipment installed in the steam room below 1000 mm from the floor must withstand a temperature of at least 125 °C (e.g., T125).

RECOMMENDED CABLE DIAMETERS

Temperature sensor-thermal protection (silicon or other heat resistant material that is able to withstand a temperature at least 140 °C):	min 3 x 0.25 mm ²
Control panel (a ferrule end-sleeve is required for stranded cables):	min 4 x 0.34 mm ²
Door sensor:	min 2 x 0.34 mm ²

Sa



Sa

INSTALLING THE DOOR SENSOR

A door sensor is a magnetic switch that is attached to the door frame of the sauna room.

Closing the door closes the door sensor's circuit and allows the sauna control to be activated.

Opening the sauna door breaks the circuit and switching on the heater is not possible.

The door sensor consists of two parts: a sensor and a magnet.

- Connect the cable ends to the terminals of the sensor.
- Fix the magnet on the door with double sided tape. This must allow the door to close and be close to the door frame.
- Attach the magnetic sensor to the door frame, matching the sensor and the magnet when the door is closed. The maximum distance between the door switch parts must be 5 mm when the door is closed.

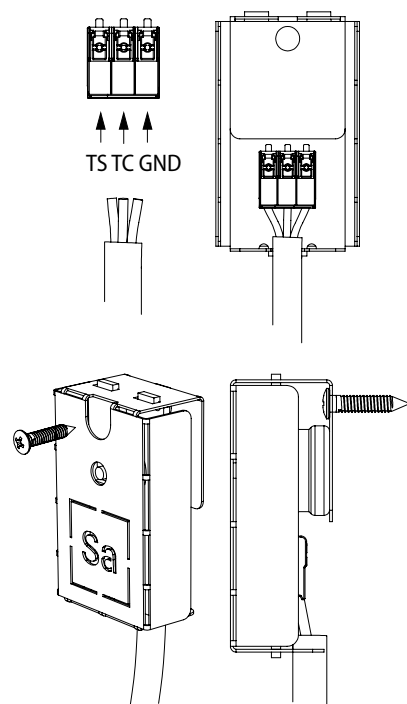
INSTALLING THE TEMPERATURE SENSOR

To install the temperature sensor/overheating protection, proceed as follows.

- Connect the cable to the temperature sensor's plugs.

- Screw the temperature sensor onto the wall (see figure).
- The temperature sensor cannot be placed above the heater.
- It must be about at least 200 mm away from it. The temperature sensor must be installed 100 mm below the ceiling.

The temperature sensor must be at least 500 mm from any air opening (ventilation, door, or window).



Sa

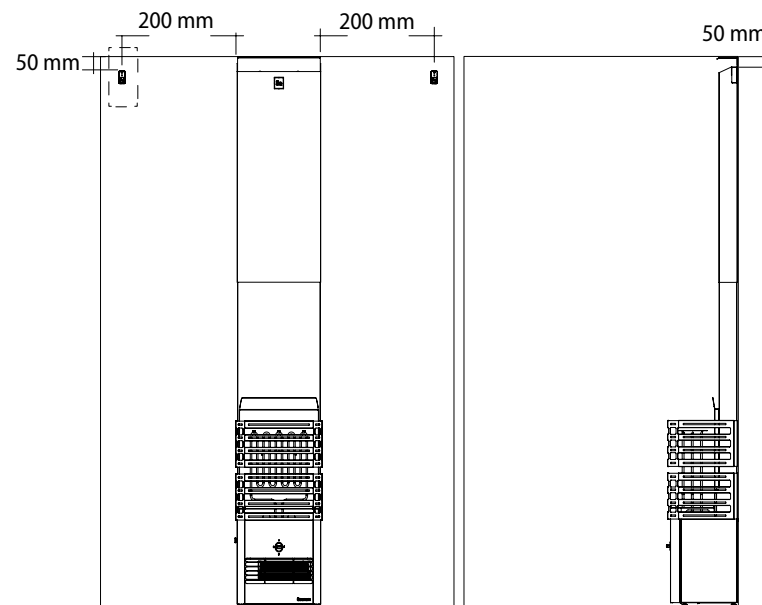
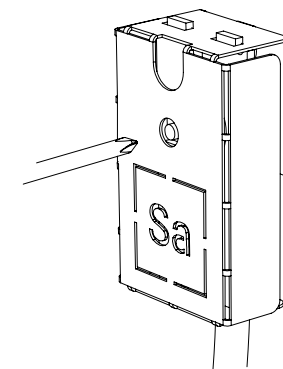
The airflow near an air vent cools down the sensor, giving the control unit inaccurate temperature readings.

As a result, the heater might overheat.

The overheating protector reset button.

- The sensor's case contains a temperature sensor and an overheating protector. The temperature sensor detects the temperature and the overheating protection switches off the power to the heater in the event of a fault; overheating protection can be reset.

Note! The reason for the switch-off must be clarified before the reset.





WARRANTY CONDITIONS

- The warranty is only valid if a completed installation report is submitted with the claim;
- The device is connected to the mains in accordance with all laws and regulations by a licenced, certified electrician;
- A warranty period of two (2) years applies to the Device if it is used in a private sauna;
- A warranty period of one (1) year applies to the Device if it is used in a public sauna.

The Saunum warranty starts from the date of purchase and includes all manufacturer-provided parts of the control unit. The warranty covers faults from the manufacturing and materials only. Under this warranty, Saunum will provide replacement parts to the buyer, but only after the faulty parts have been returned to the manufacturer or reseller. Replacement of any part in the control unit by Saunum does not extend the original warranty period.

The electrical device should only be connected to mains in accordance with all

laws and regulations by a licenced, certified electrician.

The warranty applies only to the first installation of the product and to the original purchaser.

The warranty does not cover:

- Routine maintenance and cleaning of the device, and replacement of the components due to normal wear and tear;
- Risks arising from transport;
- Damage resulting from the misuse of the device;
- Damage resulting from the improper installation of the device;
- Adaptation or modification of the device for any purpose other than that indicated in the instructions for use;
- Repairs to the device not carried out by Saunum's recommended repair and maintenance partner;
- Accidents, lightning, water, fire, improper ventilation, or any other factor beyond the control of Saunum.

The list of installation and maintenance providers recommended by Saunum Saunas OÜ is available at www.saunum.com.



INSTALLATION **PROTOCOL**

Saunum sauna's control unit model: _____

Date of purchase: _____

Original purchaser: _____

Place of installation: _____

Purchased from: _____

Date of electrical installation: _____

Signature of the installer: _____

Notes: _____

Customer's contact (name, email address): _____

Work accepted: _____

Start date of warranty: _____

Read all of the instructions for use carefully and thoroughly **before using the device** and keep them in a safe and easily accessible place for future reference.



EC declaration of conformity

Manufacturer: Saunum Saunas OÜ

certifies that the product:

Saunum Sauna Control Unit LEIL

complies with the requirements of the following directives of the European Parliament and of the Council, provided that the installation has been carried out in accordance with the installation instructions issued by the equipment manu-

facturer.: IEC/EN 60335-2-53

Low Voltage Directive 2014/35/EU

Electromagnetic Compatibility Directive 2014/30/EU.



Saunum

Saunumi sauna juhtseade **LEIL**

Sa

PARIMAIID SAUNAEELAMUSI!



***M**ul on väga hea meel, et oled investeerinud Saunumi seadmesse, ning usun, et meie uudne tehnoloogia pakub Sulle positiivselt üllatusliku saunakogemuse.*

Olen hariduselt soojusenergeetikainsener ning pärit Lõuna-Eestist, kus sai alguse minu armastus saunatamise vastu. Siinse suitsusauna eripära on madalam temperatuur ja kõrgem õhuniiskuse tase kui näiteks klassikalises Soome saunas. Tavalistes saunades on üldjuhul saunakerise kivimaht väike, mis tekitab valusalt kõrvetava äkilise leili ning ääretult ebaühtlase temperatuuri, kus pea ja õlgade kõrgusel on kuum, aga jalgadel jahe. See on üsna ebameeldiv, tekitab peavalu ning viib keha stressi. Kuid juba iidsetes suitsu- ja indiaani saunades köeti kõigepealt päeva jooksul kivid kuumaks ning seejärel kasutati neisse salvestunud soojust keha puhastuseks ja saunamõnude tõeliseks nautimiseks.

Inspireerituna suitsusauna kogemusest soovisin luua innovaatilise lahenduse, mis kasutaks autentse sauna parimaid omadusi tänapäevase tehnoloogia võtmes ning võimaldaks nauditavalt mahedat ja pikka saunatamist ilma valusalt kõrvetava leilita. Selleks tuli aga lahendada probleem, kuidas saavutada ühtlane temperatuur nii pea kui ka jalgade piirkonnas. Minu arendustööd toetas koos Tallinna Tehnikaülikooliga tehtud teadustöö, kus analüüsisime temperatuuri kihistumist ja õhu liikumist saunaruumis. Teadusliku mõtteviisi ja tehnoloogilise innovatsiooni koostöös sündiski Saunum.

Sa

Saunumi seadmete unikaalne patenteeritud õhukihtide segamise süsteem haarab saunaruumi lae alla tõusnud kuuma leiliaru, segab selle põrandapinna jahedama õhuga ja suunab pehme temperatuuriga leili ühtlaselt tagasi. Nii ei ole soojus agressiivne. Sa saad istuda saunas pikemalt ning aktiivselt higistada ja puhastuda, tundmata seejuures väsimust. Ka meie keriste kivimaht on üldjuhul oluliselt suurem teistest levinud saunakeristest, mis on mõnusa sisekliima, pika ja pehme leili alus.

Niiske aurune saun, sanaarium, teraapiline soolasaun või tervislik aroomisaun – kõik need funktsioonid on erinevaid seadistusi kasutades Saunumi seadmetel olemas, et luua tõeliselt lõõgastav saunaelamus. Tarvitades meie seadmetes Himaalaja soolapalle, viib leiliauru õhuringlusesse, nahale ja hingamisteedesse kasulikke soolaioone. Lisades saunaruumi-süsteemi, mis segab tervislikult leiliauru ja aroomiõli, lood veelgi nauditavama keskkonna.

Ja veel, Saunumi seadmetega saunad sobivad nii täiskasvanutele kui ka lastele.

Mõnusat saunatamist!

Andrus Vare
Saunumi looja ja idee autor

Sa

Saunum **tänab teid**
 innovatiivse sauna
 juhtseadme ostmise eest!

Sa

SISUKORD

Hoiatused ja märkused _____	42
KASUTUSJUHISED	
Kerise kasutamine ja saunaskäigu juhised _____	44
Juhtseadme osad _____	45
Kaugjuhtimine _____	46
Juhtpaneeli ikoonid _____	47
Kütmine _____	48
Saunumi saunakliimaseadme juhtimise funktsioon _____	48
Juhtseadme algseadistamine _____	49
Sauna kasutamise ajakava _____	53
Tehnilised andmed _____	56
PAIGALDUSJUHISED	
Juhtpaneeli paigaldamine _____	58
Kontrolleri paigaldamine _____	61
Elektriühendused _____	62
Ukseandur _____	64
Temperatuurianduri paigaldamine _____	64
Garantiitingimused _____	66
Paigaldusprotokoll _____	67

Sa



Enne juhtseadme kasutamist lugege hoiatused ja kasutusjuhised hoolikalt läbi. Juhendis esitatud juhiste eiramine võib põhjustada kehavigastusi, surma või tulekahju ja/või varakahju ning seadme garantii võib kaotada kehtivuse.

Juhtpaneeli abil saab muuta kerise tööparameetreid ja teha muid juhtseadme seadistustoiminguid.

Seadet ei tohi kasutada ühekski muuks otstarbeks.

Seadet ei tohi kasutada lapsed ega piiratud teovõimega inimesed. Lapsed tohivad seadet kasutada ainult täiskasvanu pideva ja vahetu järelevalve all.

Isikud, kellel on piiratud füüsilised, sensoorsed või vaimsed võimed, ja isikud, kellel puuduvad asjakohased kogemused ja teadmised, tohivad juhtseadet kasutada ainult täiskasvanu pideva ja vahetu järelevalve all tingimusel, et arst on andnud selleks nõusoleku.

Saunakasutajad peavad olema veendunud, et saunaskäik ei halvenda nende tervist, ning kahtluse korral pidama nõu arstiga leiliruumis viibimise aja ja temperatuuri osas. Kõik lapseootel naised peavad enne saunaskäiku pidama nõu oma arstiga. Kehatemperatuuri tõus võib raseduse algusjärgus loodet kahjustada.

Enne saunaskäiku ega selle ajal ei tohi tarvitada narkootilisi aineid, ravimeid ega alkoholi – see võib põhjustada iiveldust või teadvusetust, mis võib kahjustada tervist või põhjustada surma. Narkootilisi aineid või alkoholi tarbinud isik ei tohi sauna juhtseadet kasutada. Isikud, kes tarvitavad ravimeid, peavad saama arsti kinnituse, et ravimite kasutamisel pole saunaskäik vastunäidustatud. Enne lavale istumist või seinale toetumist tuleb see naha kaitseks katta rätikuga. Sauna kasutamisel teadvustage saunaskäiguga seotud ohtusid. Ärge viibige sauna leiliruumis korraga üle 30 minuti.

Pikaajaline leilivõtmine võib kahjustada tervist või põhjustada surma. Leiliruumist

Sa

tuleb lahkuda, kui tunnete uimasust, peapööritust või palavusnõrkust. Kuumas leiliruumis ei tohi magada. Kasutaja peab tegema kõik endast oleneva, et sauna kasutamise ajal mitte magama jääda.

Elektriseadmeid tohib vooluvõrku ühendada ainult pädev kutsetunnistusega elektrik, järgides kõiki asjakohaseid seadusakte ja määruseid.

Pärast juhtseadme ühendamist ja paigaldamist peab paigaldaja teavitama sauna omanikku või haldajat kõikidest kasutusnõuetest.

Omanik või haldaja on kohustatud selgitama kasutusnõudeid kõikidele sauna kasutajatele.

Kõiki hooldustoiminguid peale regulaarse puhastamise tohivad teha ainult selleks väljaõppe saanud isikud.

Enne iga hooldustoimingu alustamist tuleb juhtseade vooluvõrgust lahti ühendada.

- Enne juhtseadme paigaldamist ja enne selle kasutamist veenduge, et sellel pole väliseid kahjustusi. Ärge kasutage juhtseadet, kui see on kahjustatud või seda on mingil moel muudetud.

- Juhtseadme paigaldamisel on äärmiselt oluline järgida paigaldus- ja kasutusjuhiseid.
- Selle juhtseadme paigaldamisel ei tohi kasutada tarvikuid, mis pole tootja poolt heaks kiidetud. Kui seadmesse paigaldatakse heakskiidetud lisatarvikud, järgige nende kasutus- ja paigaldusjuhiseid.
- Ohu vältimiseks tohib kahjustatud toitejuhtme asendada vaid tootja poolt volitatud hoolduspartner või temaga võrdse pädevusega kutsetunnistusega elektrik.
- Juhtpaneeli tohib puhastada ainult niiske lapiga. Kasutada tohib vaid nõrgatoimelisi puhastusaineid, kuid mitte mingil juhul lahusteid ega sööbivaid keemilisi aineid. Puhastamise järel laske juhtseadmel enne kasutamist täielikult kuivada.
- Juhtseadet ei tohi utiliseerida koos olmejäätmetega. Andke seade utiliseerimiseks üle oma kohalikule jäätmekäitlejale või küsige nõu juhtseadme müüjalt.

Sa

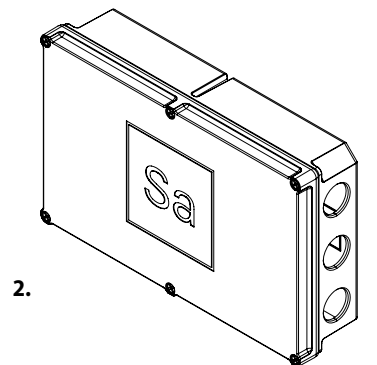
KERISE KASUTAMINE JA SAUNASKÄIGU JUHISED

- Enne kütmist kontrollige, et kerise peal ega kerise läheduses poleks mingeid kõrvalisi esemeid. Lähtuge sealjuures ohutuskaugustest, mis on kerise tootja poolt antud kasutusjuhendis.
- Saunaskäigu lõppemisel kontrollige alati üle, et keris oleks välja lülitunud.
- Avalikus saunas ning saunas, kus kerist kasutatakse pidevalt pikemat aega ning kauem, kui kerise või juhtseadme tehases seadistatud taimeriaeg seda lubab, peab juhtseade olema täiskasvanu järelevalve all. Järelevalvet teostav isik ei tohi samal ajal ise olla saunaline.
- Kui juhtseade seatakse ooterežiimi, et alustada kaugjuhtimise või lülitusprogrammi kasutamist, peab eelnevalt veenduma, et leiliruumis ega kerise peal või selle ümbruses poleks mingeid kõrvalisi esemeid, lähtudes ohutuskaugustest, mis on kerise tootja kasutusjuhendis.
- Elektrilistele saunakeristele kehtiva standardi IEC/EN 60335-2-53 kohaselt tohib juhtseadet kasutada kerise kaugjuhtimiseks vaid siis, kui leiliruumil on turvalüliti (ukseandur).
- Pikaajaline leiliruumis viibimine võib kahjustada tervist või põhjustada surma.
- Ärge viibige leiliruumis kauem kui 30 minutit järjest.
- Lahkuge leiliruumist, kui tunnete uimasust, peapööritust või palavusnõrkust.
- Ärge kuivatage leiliruumis esemeid ega lemmikloomi.

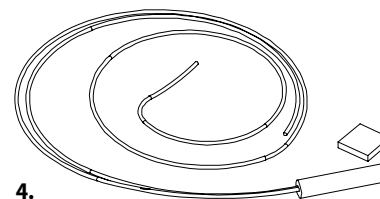
Sa

JUHTSEADME OSAD

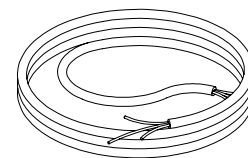
Saunumi sauna juhtseade LEIL koosneb järgmistest osadest: **1 – juhtpaneel;** **2 – kontrolleri;** **3 – temperatuurianduri;** **4 – ukseandur** ja **5 – temperatuurianduri kaabel.**



2.

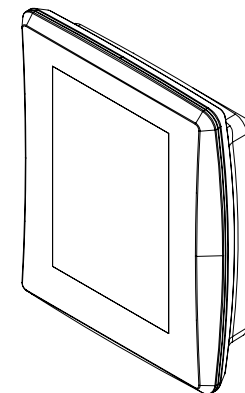


4.

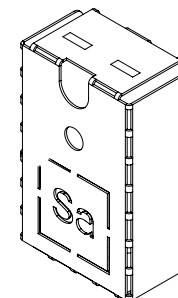


5.

1.



3.



Juhtseadme abil saab eelseadistada temperatuuri ja lülitada kerist sisse-välja ning juhtida Saunumi saunakliimaseadme kiirust.

Leiliruumi temperatuuri reguleeritakse vastavalt temperatuurianduri poolt mõõdetud ja edastatud infole.

Ülekuumenemiskaitsega varustatud temperatuuriandur paikneb anduri korpuses.

Sa

KERISE KASUTAMINE JUHTSEADMEGA

Leiliruumi temperatuuri tõusmisel juhtpaneelil valitud tasemele lülituvad kerise küttekehad välja.

Juhtseade lülitab kerise küttekehasid automaatselt sisse ja välja, et hoida soovitud temperatuuri.

Keris lülitub välja, kui seadistatud aeg lõpeb või kui on vajutatud nuppu „Stopp“ või kui on ilmnenud rike.

JUHTSEADE

- Reguleerib ja kontrollib leiliruumi temperatuuri ja Saunumi saunakliimaseadme kiirust.
- Kolm leilitüüpi, mida saate ise muuta.
- Võimaldab valida kellaega, millal saun on kasutamiseks valmis (kütmine algab ca 1,5 tundi varem).
- Teavitab ekraanil, kui saun on kasutusvalmis. Kasutades Saunumi mobiilirakendust, kuvab seda ka rakendus.
- Keeltevalik.
- Puutetundlik ekraan.
- Ekraanilukk.

- Ülekuumenemiskaitse.
- Ekraanil saab valida erinevaid funktsioone ja muuta punasega kuvatud numbrilisi väärtusi.
- Kaugjuhtimine – Saunumi mobiilirakenduse kaudu.

Kaugjuhtimist võimaldavat juhtseadet saab juhtida ja seadistada mobiiltelefoni abil.

Elektrilistele saunakeristele kehtiva standardi IEC/EN 60335-2-53 kohaselt tohib juhtseadet kasutada kerise kaugjuhtimiseks vaid siis, kui on paigaldatud ukseandur.

Kerise saab sisse lülitada kaugjuhtimise teel ainult siis, kui uks on suletud. Kui uks on avatud, siis keris sisse ei lülitu.

Pärast juhtseadme paigaldamist peab seadme paigaldanud isik andma sauna omanikule üle kasutusjuhendi. Sauna omanik peab kasutusjuhendi tegema kättesaadavaks kõigile sauna kasutajatele. Vaadake lisateavet paigaldamise, kasutamise ja utiliseerimise kohta juhtseadme originaaljuhendist. Saunum jätab endale õiguse selles juhendis olevat teavet muuta. Uusima versiooni leiata www.saunum.com. Juhendis esitatud juhiste eiramine võib põhjustada kehavigastusi, surma või tulekahju ja/või varakahju ning seadme garantii võib kaotada kehtivuse.

Sa

JUHTPANEELI IKOONID



„Saun valmis“ oleku algusaeg



Temperatuur



Sauna kestus



Saunakliimaseade



Saunakliimaseadme kiirus



Valgus



Kerise võimsus, kW



Leiliruumi maht, m³



Ekraanilukk



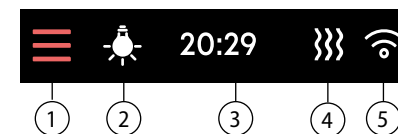
Väärtuse suurendamine



Väärtuse vähendamine



Liikumine järgmisele kuvale



1. Menüü
2. Valgus
3. Kellaeg
4. Kerise olek
5. WiFi-ühendus

Menüü



🏠 **Avaleht**

⚙️ **Seaded**

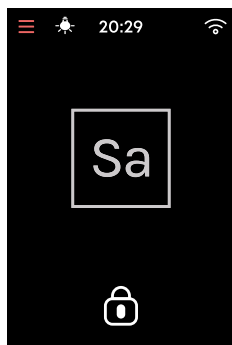
Control panel FWU

Power board FWU



KÜTMINE

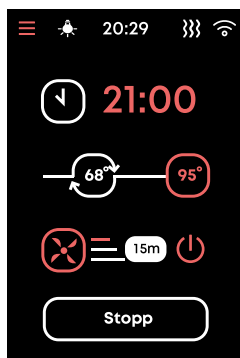
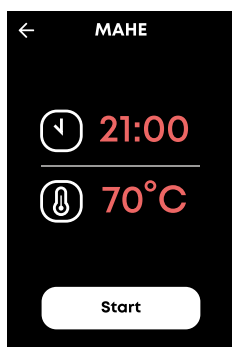
1. Alustamiseks puudutage ekraani.



„Saun valmis“ oleku algusaja seadistamine.

„Saun valmis“ ajaks on leiliruumi temperatuur soovitud tasemel (kütmine algab ca 1,5 tundi varem).

2. Sauna kütmise alustamiseks puudutage nuppu „Start“.



Sauna kütmisrežiimi ajal saab muuta sauna-seansi kestust ja temperatuuri, selleks tuleb puudutada vastavalt kestuse või temperatuuri numbreid ning muuta neid vastavalt soovitudele.

SAUNUMI SAUNAKLIIMASEADME JUHTIMISE FUNKTSIOON

HOIATUS! Ärge kasutage funktsiooni leiliruumi üleskütmise ajal, see võib pikendada kütmissaega ja põhjustada ülekuumenemist.

Kasutage leiliruumi kliimaseadet AINULT saunaskäigu ajal. Sauna ülekuumenemise kaitseks võib kliimaseade käivituda ka ise-seisvalt. Ärge jätke kliimaseadet tööle ilma järelevalveta.

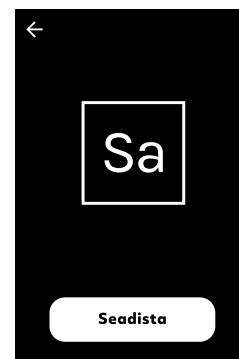


JUHTSEADME ALGSEADISTAMINE

Saunumi juhtseadet LEIL arendatakse pidevalt edasi, et lisada sellele uusi kasutusmugavust suurendavaid funktsioone. Kõigist uuendustest teavitab Saunum ka kliente ning nende allalaadimiseks on vajalik internetiühendus. Selleks, et seadme tarkvara püsiks ajakohane ka siis, kui see pole püsivalt WiFi-võrgus, tuleb uuenduste allalaadimiseks luua mobiiltelefoni abil interneti pääsupunkt.

Seadme esmasel paigaldamisel tuleb sellele kindlasti võimaldada pääs interneti ning seejärel uuendused allalaadida.

1. Juhtseadme esmakordsel sisselülitamisel avaneb algseadistamise kuvaaken. Alustamiseks valige „Seadistamine“.



2. Ühendamine WiFi-võrku.

Valige soovitud WiFi-võrk. Selleks puudutage vastava võrgu nime. Kui te ei soovi juhtseadet WiFi-võrku ühendada, valige „Jäta vahele“.

Juhtpaneel tuleb paigaldada kohta, kus on piisavalt hea WiFi-võrguühendus. Kontrollige võrguühenduse vastuvõtusignaali tugevust mobiiltelefoniga järgmiselt.

- Lülitage telefonis mobiilse andmeside funktsioon välja.
- Lülitage telefonis WiFi-võrgu funktsioon sisse.
- WiFi-ühendus paigalduskohas on piisav, kui teie telefoni WiFi-ühendus on hea ja andmeedastust vajavad muud rakendused töötavad.

Kui võrguühendus ei ole piisav, siis tehke järgmist.

- Proovige juhtpuldil võrguühendust teises asukohas.
- Muutke võimaluse korral WiFi-ruuteri asukohta, mille puhul on juhtpuldil parem võrguühendus.

Hoone seinamaterjalid, juhtpaneeli süvistamine ja muud sarnased asjaolud võivad takistada WiFi-võrguühenduse toimimist.

Nõuanne! Võrgu ulatuse suurendamiseks saab kasutada WiFi-võrgulaiendit.

Sa

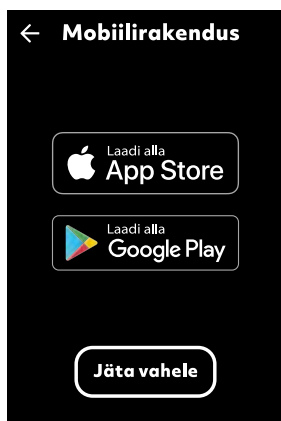
Saunumi WiFi-funktsiooniga juhtpaneel on ette nähtud saunakerise ja Saunumi saunakliimaseadme juhtimiseks.

Juhtpaneelil on järgmised peamised funktsioonid:

- leiliruumi temperatuuri jälgimine ja seadistamine;
- Saunumi sauna leiliruumi kliimaseadme sisselülitamine ja selle kiiruse seadistamine;
- kerise olekuteabe jälgimine;
- sauna kasutamise ajakava seadistamine.

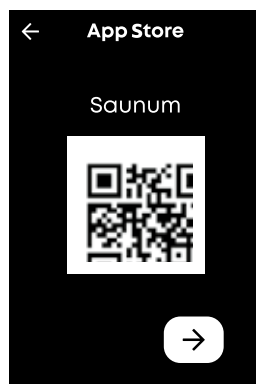
Mobiilseadmega juhtimiseks laadige alla Saunumi mobiilse juhtimise rakendus.

3. Saunumi rakenduse allalaadimine.



Kui te ei soovi mobiilseadmega kaugjuhtimist kasutada, valige „Jäta vahele“.

4. Avaneb Saunumi mobiilse juhtimise rakenduse allalaadimisaken.



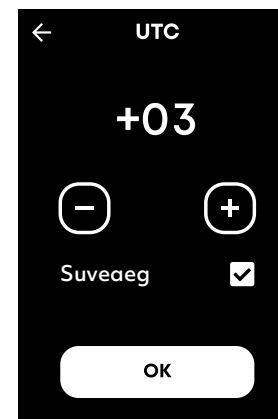
Skannige telefoniga aknas olevat QR-koodi ja seejärel avaneb Google Play või App Store'i veebisait, kust saate Saunumi rakenduse alla laadida.

5. Saunumi seadme ja rakenduse ühendamiseks skannige juhtpaneelil kuvatut QR-koodi.



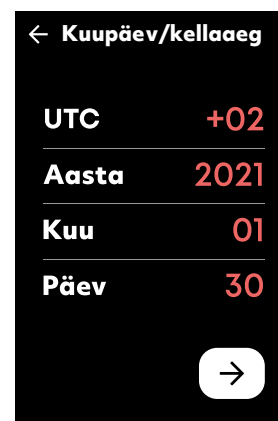
Sa

6. Ajavööndi seadistamine.

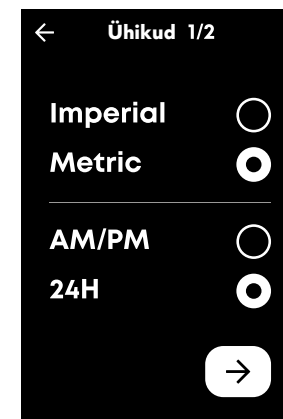


Seadistada saab UTC-ajavöödit ehk maailmaaega, kui juhtpaneel on eelnevalt ühendatud WiFi-võrku.

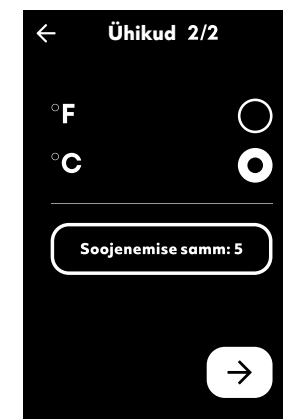
7. Kellaaja ja kuupäeva seadistamine.



8. Mõõtühikute seadistamine, aken 1.

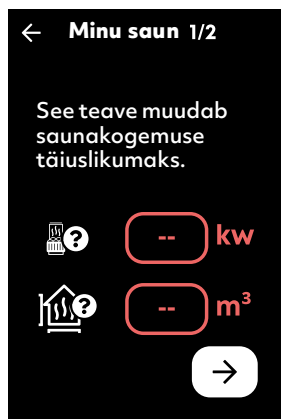


9. Temperatuuri mõõtühiku seadistamine, aken 2.

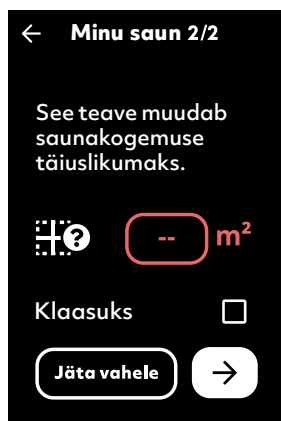


Sa

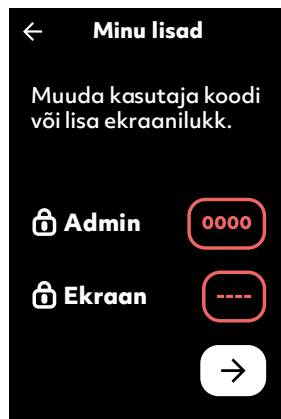
10. Leiliruumi andmete sisestamine, aken 1.



11. Leiliruumi andmete sisestamine, aken 2.

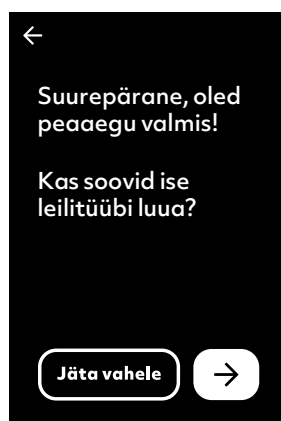


12. Paroolide määramine.



Vaikimisi on parool 2002.

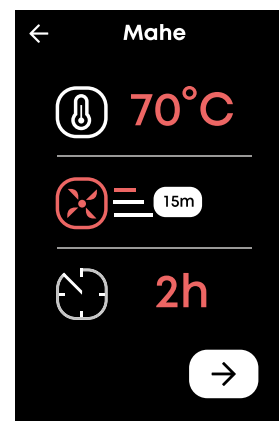
13. Leilitüübi eelseadistamine, aken 1.



14. Leilitüübi eelseadistamine, aken 2.

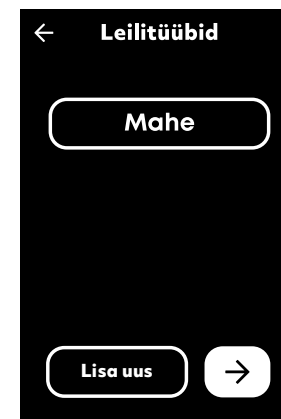


15. Leilitüübi eelseadistamine, aken 3.



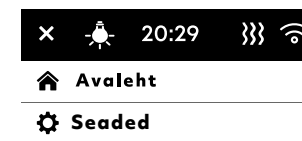
Sa

16. Leilitüübi eelseadistamine, aken 4.



SAUNA KASUTAMISE AJAKAVA

Avage menüüaken, seaded, ajakava.



Saunumi juhtpaneel võimaldab koostada sauna kasutamise nädalase ajakava.

Seadistamiseks valige menüüst „Ajakava“.

Sa

TEHNILISED ANDMED**JUHTPANEEL**

- Temperatuuri seadistamise vahemik 40–100 °C.
- Nädala ajakava eelseadistamine.
- Võimaldab seadistada kerise tööaega: erasaunas kuni 6 tundi, avalikus saunas kuni 12 tundi.
- Soovi korral võib aeg olla pikem – küsige nõu seadme müüjalt või tootjalt.
- Saab valida Saunumi saunakliimaseadme 3 kiirust.
- Mõõtmed: 104 mm × 83 mm × 19,3 mm.

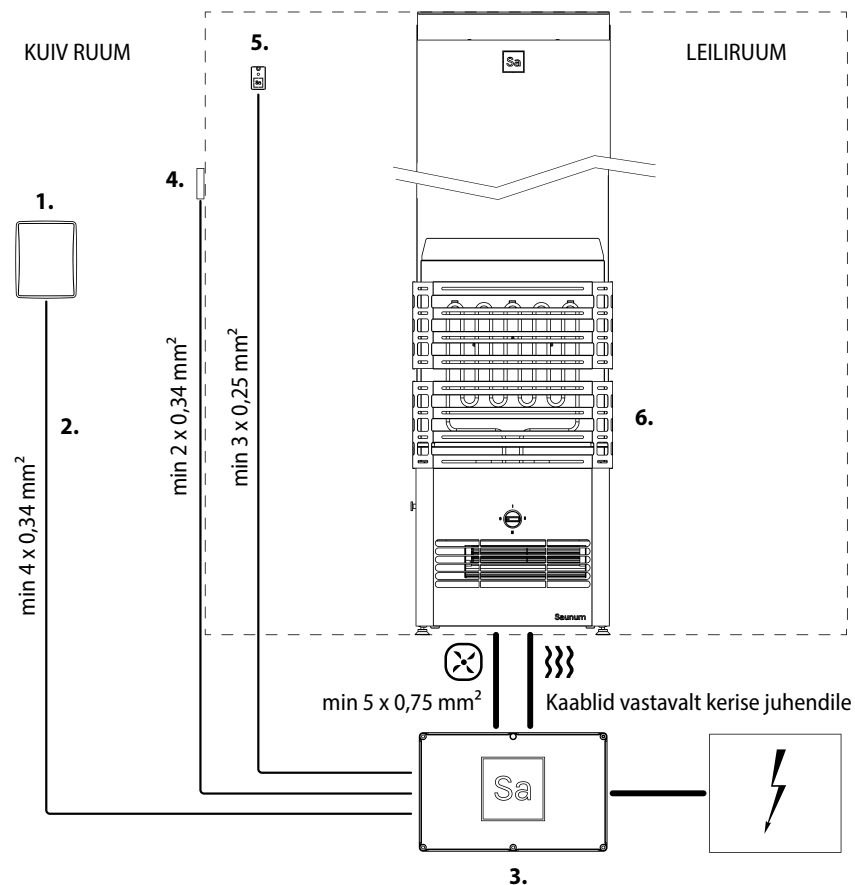
KONTROLLER

- Toitepinge: 230V 3N~.
- Kerise võimsus kuni 9 kW/12 kW.
- Suurema võimsusega keriste puhul tuleb kasutada täiendavat kontaktorplokki.
- Mõõtmed: 61 mm × 160 mm × 225 mm.
- Turvaseadmed: ukseandur ja ülekuumenemiskaitse.

Hoiustamistemperatuur: –30 kuni +80 °C.



Sa

**1. JUHTPANEEL****2. ANDMESIDEKAABEL** (tarnib paigaldaja)**3. KONTROLLER****4. UKSEANDUR****5. TEMPERAATUURIANDUR****6. KERIS** (müüakse eraldi)

Sa

PAIGALDUSJUHISED

HOIATUS! Paigaldusjuhiste eiramise korral garantii ei kehti ja võib tekkida tuleoht ja/või ilmned elektrisüsteemi lühis, mis põhjustab varakahju, kehvastuse või surma.

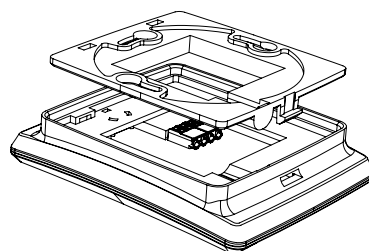
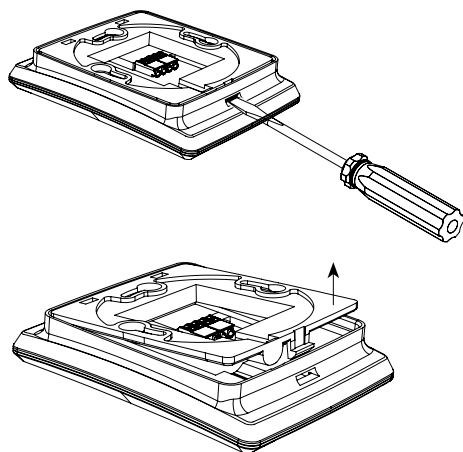
Juhtseadet tohib paigaldada ainult kutsetunnistust omav elektrik, tehes seda vastavalt kehtivatele eeskirjadele. Pärast juhtseadme paigaldamist peab paigaldamise eest vastutav isik tegema koolituse ja andma sauna omanikule kasutusjuhendi. Sauna omanik peab kasutusjuhendi tegema kättesaadavaks kõigile sauna kasutajatele.

**JUHTPANEELI
PAIGALDAMINE**

Varjatud paigalduseks võib andmesidekaabli paigaldada seina sees olevasse kaitsekõrisesse, kui see pole võimalik, tuleb teha pinnapealne paigaldus.

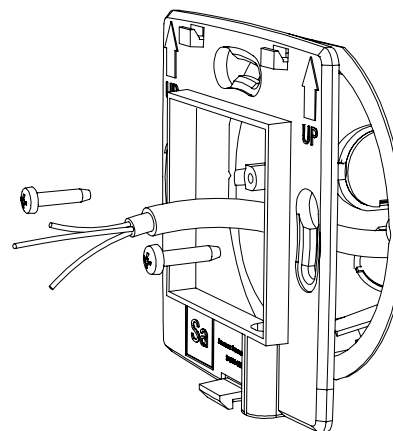
Juhtpaneel tuleb paigaldada seinale, veepritsmete eest kaitstud kohta.

1. Eemaldage kinnitusplaat paneeli küljest.

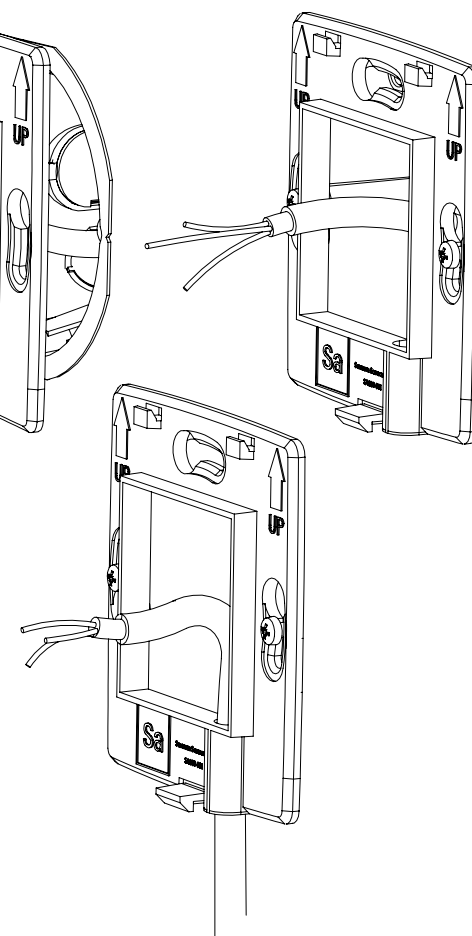


Sa

2. Juhtige kaabel läbi kinnitusplaadi ava.



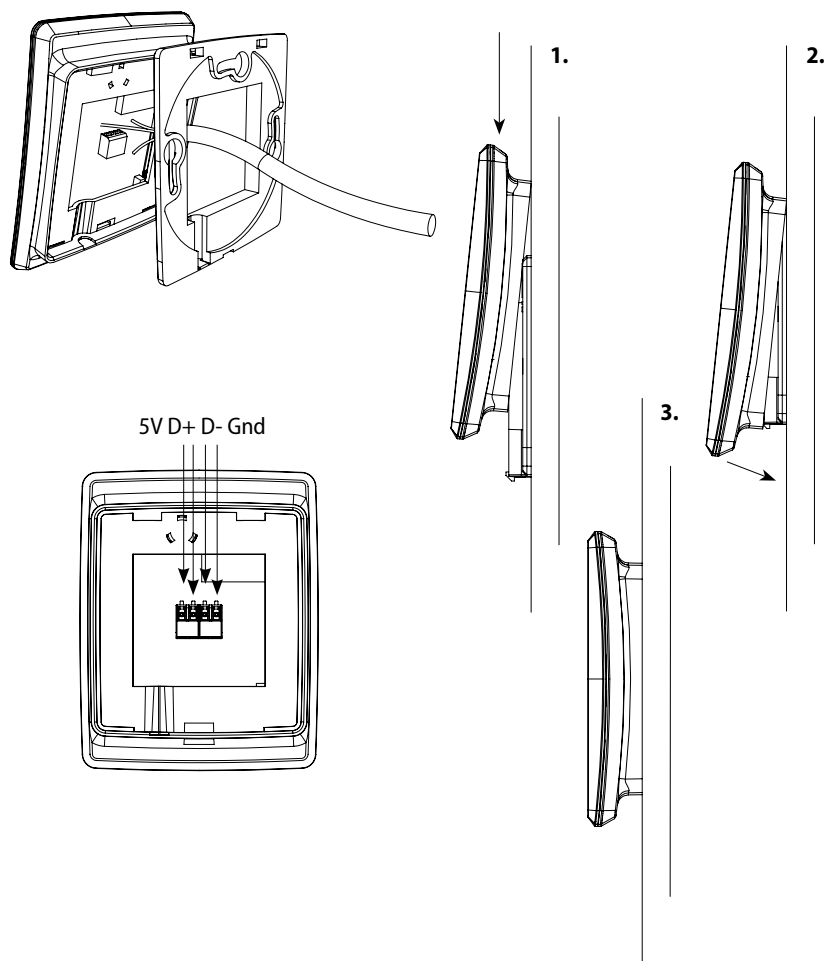
3. Kinnitage kinnitusplaat kruvidega seinale.



Sa

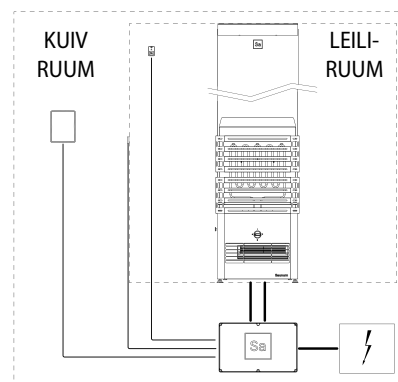
4. Ühendage kaablisooned pistikusse.

5. Suruge juhtpaneel kinnitusplaadi külge.

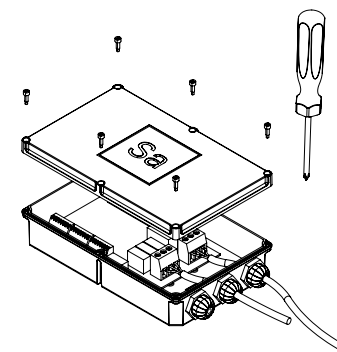


Sa

KONTROLLERI PAIGALDAMINE

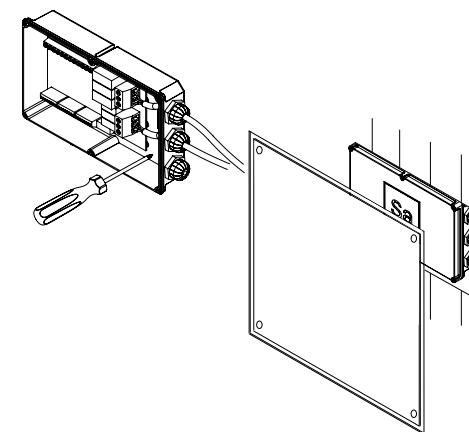


1. Avage kontrolleri kaas.



Kontrolleri paigalduskoht peab olema kuiv ja selle temperatuur ei tohi olla kõrgem kui 65 °C.

2. Puurige korpusesse avad ja kinnitage kontrolleri seinale või elektrikilpi.



Sa

ELEKTRIÜHENDUSED

Kontrolleri ühendamine on näidatud elektriühenduste skeemil.

Kerise ühendamise lisateavet vaadake kerise paigaldus- ja kasutusjuhendist.

- Kui ühendus- ja paigalduskaablid on kõrgemal kui 1000 mm leiliruumi põrandast või leiliruumi seinte sees, peavad need koormuse all taluma vähemalt 170 °C (näiteks SSJ). Elektriseadmed, mis on leiliruumis paigaldatud madalamale kui 1000 mm, peavad taluma temperatuuri vähemalt 125 °C (näiteks T125).

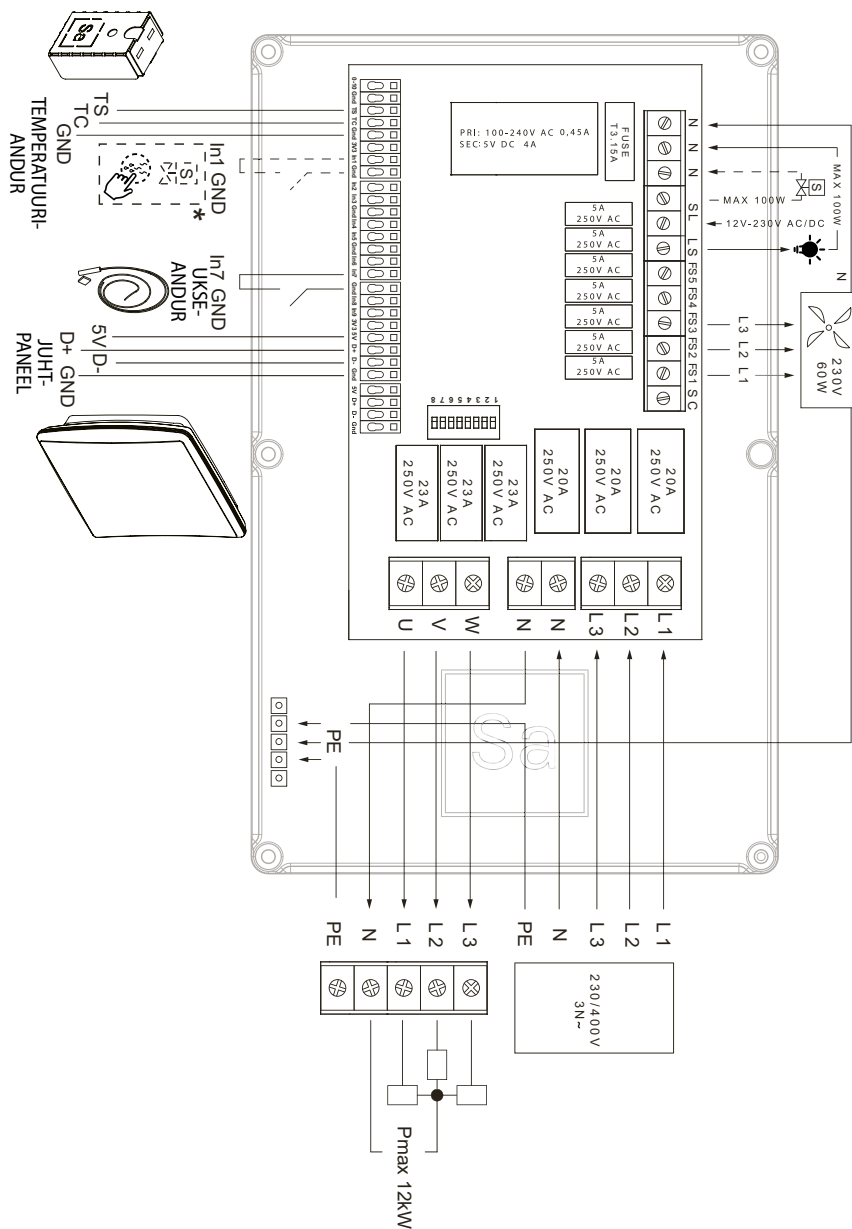
KAABLITE SOOVITUSLIKUD LÄBIMÕÖDUD

Temperatuuriandur-termokaitse (silikoon või muu min 140 °C taluva isolatsiooniga): min 3 x 0,25 mm²

Juhtpaneel (kiudkaabli otsad on vaja hülssida): min 4 x 0,34 mm²

Ukseandur: min 2 x 0,34 mm²

Sa



Sa

UKSEANDURI PAIGALDAMINE

Ukseanduriks on magnetiline lüliti, mis kinnitatakse ukse lengi külge.

Ukse sulgumisel sulgub ukseanduri ahel ja see võimaldab sauna juhtseadmel lülitusi teha.

Ukse avamisel ukseanduri ahel katkeb ja kerise lülitamine pole võimalik.

Ukseandur koosneb kahest osast – magnetandur ja püsिमagnet.

- Ühendage kaabel anduri juhtmetega.
- Kinnitage magnet ukse külge kahepoolse teibiga. See peab võimaldama ust sulgeda ja olema vahetult uksele lähedal.
- Kinnitage andur uksele külge, ühitades anduri ja magneti, kui uks on suletud asendis. Ukse suletud asendis peab lüliti osade vahele jääma pilu max 5 mm.

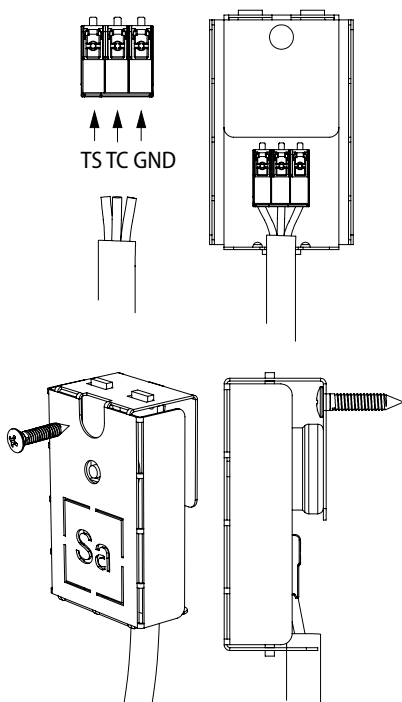
TEMPERATUURIANDURI PAIGALDAMINE

Temperatuurianduri/ülekuumenemiskaitse paigaldamiseks tehke järgmist:

- ühendage kaabel anduri klemmidega;

- kinnitage andur seinale (vt joonist);
- temperatuuriandurit ei tohi paigaldada kerise kohale;
- paigaldage andur kerisest umbes 20 cm kaugusele. Temperatuuriandur tuleb paigaldada laest 10 cm allapoole.

Temperatuuriandur peab jääma vähemalt 50 cm kaugusele õhuavadest (ventilatsiooni-, ukse- ja aknaava).



Sa

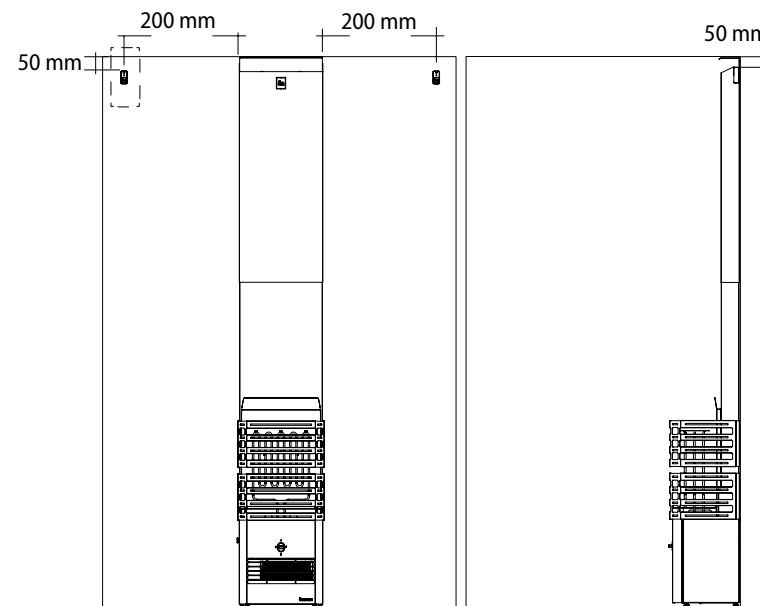
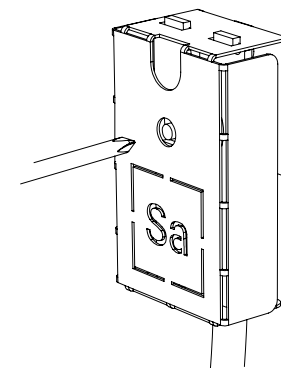
Ventilatsiooniava läheduses olev õhuvool jahutab andurit ja juhtseadmele ei edastata õiget temperatuuri.

Selle tagajärjel võib keris üle kuumeneda.

Ülekuumenemiskaitse lähtestusnupp.

- Anduri korpuses on temperatuuriandur ja ülekuumenemiskaitse. Temperatuuriandur tuvastab temperatuuri ja ülekuumenemiskaitse lülitab rikke korral kerise toite välja; ülekuumenemiskaitset saab uuesti lähtestada.

Märkus. Enne lähtestamist tuleb väljalülitamise põhjus kindlaks teha.



Sa

GARANTIITINGIMUSED

- Garantii kehtib ainult juhul, kui koos pretensiooniga esitatakse täidetud paigaldusprotokoll.
- Seadme on ühendanud vooluvõrku kutsetunnistusega elektrik, järgides kehtivaid eeskirju.
- Erasaunas kehtib garantii aeg kaks (2) aastat.
- Avalikus saunas kehtib garantii aeg üks (1) aasta.

Saunumi garantii hakkab kehtima seadme ostukuupäevast ja see hõlmab kõiki seadme osi, mis on tootja poolt tarnitud. Garantii kehtib ainult seadme tootmis- ja materjalivigadele. Saunum annab selle garantii alusel ostjale asendusosad pärast seda, kui rikkis osa on tagastatud tootjale või müüjale. Saunumi poolt asendatud seadme osa ei pikenda algset garantiiperioodi.

Seadme tohib paigaldada ja vooluvõrku ühendada ainult pädev ja kutsetunnistusega elektrik, järgides kõiki asjakohaseid seadusakte ja määruseid.

Garantii kehtib ainult seadme esmakordsel paigaldamisel ja selle algsele ostjale.

Garantii alla ei kuulu:

- seadme korraline hooldus ja puhastus ning normaalsest kulumisest tulenev komponentide vahetus;
- transpordist tulenevad riskid;
- kahjud, mis tulenevad seadme väärkasutusest;
- kahjud, mis tulenevad seadme mittenõuetekohasest paigaldamisest ja hooldusest;
- kahjud, mis tulenevad kasutaja poolt seadmel tehtud tootmisjärgsetest muudatustest;
- seadme remont, mida ei ole teostanud Saunumi soovituslik remondi-partner (hoolduspartner);
- õnnetusjuhtumid, välgulööök, vesi, tuli, ebaõige ventilatsioon või mõni muu Saunumi kontrollile mittealluv faktor.

Saunum Saunas OÜ soovituslikud paigaldajad ja hooldajad leiad www.saunum.com.

Sa

PAIGALDUSPROTOKOLL

Saunumi sauna juhtseadme mudel: _____

Ostukuupäev: _____

Algne ostja: _____

Paigalduse koht: _____

Ostukoht: _____

Paigalduse kuupäev: _____

Paigaldaja allkiri: _____

Märkused: _____

Kliendi kontakt (nimi, e-post): _____

Töö vastu võetud: _____

Garantii alguse kuupäev: _____

Lugege kogu kasutusjuhend **enne seadme kasutamist** põhjalikult ja tähelepanelikult läbi ning hoidke seda tulevaste vajaduste tarbeks kindlas ja kergesti ligipääsetavas kohas.



EL-i vastavusdeklaratsioon

Tootja Saunum Saunas OÜ

tõendab, et toode

Saunumi sauna juhtseade LEIL

on vastavuses järgmiste Euroopa Parlamendi ja nõukogu direktiivide nõuetega tingimustel, et paigaldus on teostatud vastavalt seadme tootja poolt välja antud paigaldusjuhendile: IEC/EN 60335-2-53

Madalpingedirektiiv 2014/35/EL

Elektromagnetilise ühilduvuse direktiiv 2014/30/EL.



Saunum

Блок управления **LEIL** для саун Saunum

НАИЛУЧШИХ ВПЕЧАТЛЕНИЙ ОТ САУНЫ!

Я очень рад, что вы приобрели оборудование Saunim, и уверен, что наша инновационная технология приятно поразит вас неожиданными впечатлениями от использования сауны.

Я по образованию инженер по теплоэнергетике и родом из Южной Эстонии, где берет начало моя любовь к бане и сауне. Местная черная баня отличается более низкой температурой и более высоким уровнем влажности, чем, например, в классической финской сауне. В обычных саунах объем камней каменки, как правило, невелик, из-за чего пар получается обжигающим и резким, а температура – неравномерной, когда воздух на уровне головы и плеч горячий, а в ногах – прохладный. Это довольно неприятно, вызывает головные боли и приводит к стрессу организма. Уже в древних черных и индейских банях сначала в течение дня накаляли камни, а затем аккумулированное в них тепло использовали для очищения тела и наслаждения банными процедурами.

Вдохновленный опытом посещения черной бани, я хотел создать инновационное решение, в котором использовались бы лучшие свойства аутентичной бани в сочетании с современными технологиями, обеспечивающими продолжительные приятные ощущения без болезненно обжигающего пара. Однако для этого нужно было добиться равномерной температуры как в области головы, так и в области ног. Мои разработки были поддержаны исследовательской работой, проведенной совместно с Таллинским техническим университетом, в ходе которой мы проанализировали температурное расслоение и движение

воздуха в помещении сауны. В результате сотрудничества научного мышления и технологических инноваций и родилась марка Saunim.

Уникальная запатентованная система смешивания слоев воздуха в устройствах Saunim захватывает поднявшийся под потолок сауны горячий пар, смешивает его с более прохладным воздухом у поверхности пола и равномерно распределяет пар комфортной температуры. Это позволяет теплу не быть агрессивным. Вы можете долго сидеть в сауне, активно потеть и очищать организм, не чувствуя при этом усталости. Объем камней в наших каменках, как правило, значительно больше, чем в других распространенных каменках, что создает приятный микроклимат в сауне и продолжительный мягкий пар.

Сауна с влажным паром, санариум, терапевтическая соляная сауна или оздоровительная ароматическая сауна – все эти функции доступны в настройках устройств Saunim, чтобы создать по-настоящему расслабляющий эффект. Применение в наших устройствах шариков гималайской соли позволяет полезным ионам соли с паром попадать в циркулирующий воздух, оказывая благоприятное воздействие на кожу и дыхательные пути. Добавление аромасистемы, смешивающей пар с ароматическим маслом, создает в сауне еще более приятную атмосферу.

Сауны с оборудованием Saunim подходят как взрослым, так и детям.

Приятного посещения сауны!



Андрус Варе
Создатель и автор идеи Saunim



Saunum **благодарит вас**
за выбор инновационного
блока управления сауной!



СОДЕРЖАНИЕ

Меры предосторожности и примечания _____	74
ИНСТРУКЦИЯ ПО ЭКСПЛУАТАЦИИ	
Использование каменки и инструкция по эксплуатации сауны _____	76
Блок управления _____	77
Индикаторы _____	79
Нагрев _____	80
Использование функции регулирования климата в сауне Saunum _____	81
Настройка сауны _____	81
График использования сауны _____	85
Технические данные _____	88
ИНСТРУКЦИЯ ПО МОНТАЖУ	
Установка пульта управления _____	90
Установка блока питания _____	93
Электрические соединения _____	94
Установка дверного датчика _____	96
Установка датчика температуры _____	96
Условия гарантии _____	98
Протокол монтажа _____	99



Перед эксплуатацией данного изделия все пользователи должны внимательно ознакомиться с мерами предосторожности и руководством по эксплуатации! Несоблюдение инструкции может привести к телесным повреждениям, смерти, пожару и/или порче имущества, а гарантия на устройство может быть аннулирована.

Пульт управления предназначен для регулировки настроек каменки и функций, предусмотренных в блоке управления.

Использование устройства в любых других целях запрещено!

Это устройство не должно использоваться детьми, людьми с ограниченными возможностями передвижения или больными людьми. Дети могут пользоваться устройством только под постоянным и строгим наблюдением взрослого человека.

Лицам с ограниченными физическими, сенсорными или умственными способностями или лицам с недостатком опыта и знаний можно пользоваться этим устройством только под постоянным и строгим наблюдением взрослого человека и только после консультации с врачом.

Перед эксплуатацией сауны все пользователи должны проконсультироваться с врачом для того, чтобы убедиться в отсутствии проблем со здоровьем, делающих посещение сауны небезопас-

ным, и обсудить ограничения времени и температуры. Беременные женщины должны проконсультироваться со своим врачом перед использованием сауны. На ранних сроках беременности чрезмерно высокая температура тела может привести к повреждению плода.

Употребление наркотиков, лекарственных препаратов или алкоголя до или во время посещения сауны может вызвать головокружение или потерю сознания, что приведет к травме или смерти. Запрещено использовать это изделие, находясь под воздействием алкоголя или наркотиков. Лица, принимающие лекарственные препараты, должны проконсультироваться со своим врачом для того, чтобы убедиться в безопасности посещения сауны во время приема лекарственных препаратов. Сидя в сауне, пользователям следует подкладывать полотенце, чтобы их кожа не соприкасалась с полом или стеной. При эксплуатации сауны помните об опасностях, связанных с посещением сауны. Не находитесь в парном помещении сауны дольше 30 минут за раз.

Продолжительное воздействие пара может быть вредным или смертельно опасным. Пользователи должны прекратить использование сауны, почувствовав головокружение, приступ дурноты или испытывав болезненное состояние, вызванное перегревом. Запрещено спать в нагретой сауне. Пользователи должны следить за тем, чтобы не заснуть во время использования сауны.



Электрическое устройство должно подключаться к сети в соответствии со всеми законодательными нормами и требованиями только профессиональным лицензированным и сертифицированным электриком.

После подключения и монтажа блока управления установщик должен проинформировать владельца или оператора сауны обо всех эксплуатационных требованиях.

Владелец или оператор должны ознакомить с требованиями к эксплуатации всех, кто будет пользоваться сауной.

Любое техническое обслуживание, кроме регулярной очистки поверхности изделия, должно выполняться квалифицированным специалистом.

Перед выполнением любых работ по техническому обслуживанию всегда отключайте устройство от сети!

- Перед монтажом и эксплуатацией блока управления проверьте его на наличие видимых повреждений. Не используйте поврежденное устройство или устройство, в которое были внесены изменения относительно исходного состояния, предусмотренного производителем.

- Крайне важно монтировать устройство в соответствии с инструкцией по монтажу и эксплуатации. Несоблюдение инструкции может вызвать риск возгорания или короткого замыкания, что может привести к порче имущества, телесным повреждениям или смерти.
- На это устройство нельзя устанавливать аксессуары, не одобренные производителем. Если на устройство установлены подходящие аксессуары, следуйте инструкциям по эксплуатации и установке этих аксессуаров!
- Если поврежден шнур питания, во избежание опасности его должен заменить сервисный партнер производителя или профессиональный лицензированный и сертифицированный электрик аналогичной квалификации.
- Для чистки пульта управления используйте слегка влажную тряпку. Используйте только мягкие чистящие средства, не используйте растворители или коррозионно-активные химикаты. Перед эксплуатацией позвольте изделию полностью высохнуть.
- Это изделие нельзя утилизировать вместе с обычными бытовыми отходами. Для утилизации изделия отнесите его в местный пункт сбора отходов или обратитесь по месту покупки.

Sa

ИСПОЛЬЗОВАНИЕ КАМЕНКИ И ИНСТРУКЦИЯ ПО ЭКСПЛУАТАЦИИ САУНЫ

- Перед нагревом всегда проверяйте, чтобы на каменке или на расстоянии ближе безопасной дистанции, указанной в инструкции производителя каменки, не было никаких предметов.
- Всегда проверяйте, что по истечении времени работы каменка выключилась и прекратила нагрев.
- В общественных саунах, где каменка постоянно эксплуатируется дольше, чем позволяют заводские настройки таймера каменки или блока управления, устройство должно использоваться только под постоянным наблюдением взрослого человека, не пользующегося сауной во время наблюдения.
- При установке блока управления в режим ожидания для дистанционного управления или переключения необходимо предварительно убедиться, что в парном помещении, на каменке или на расстоянии ближе безопасной дистанции, указанной в инструкции произво-

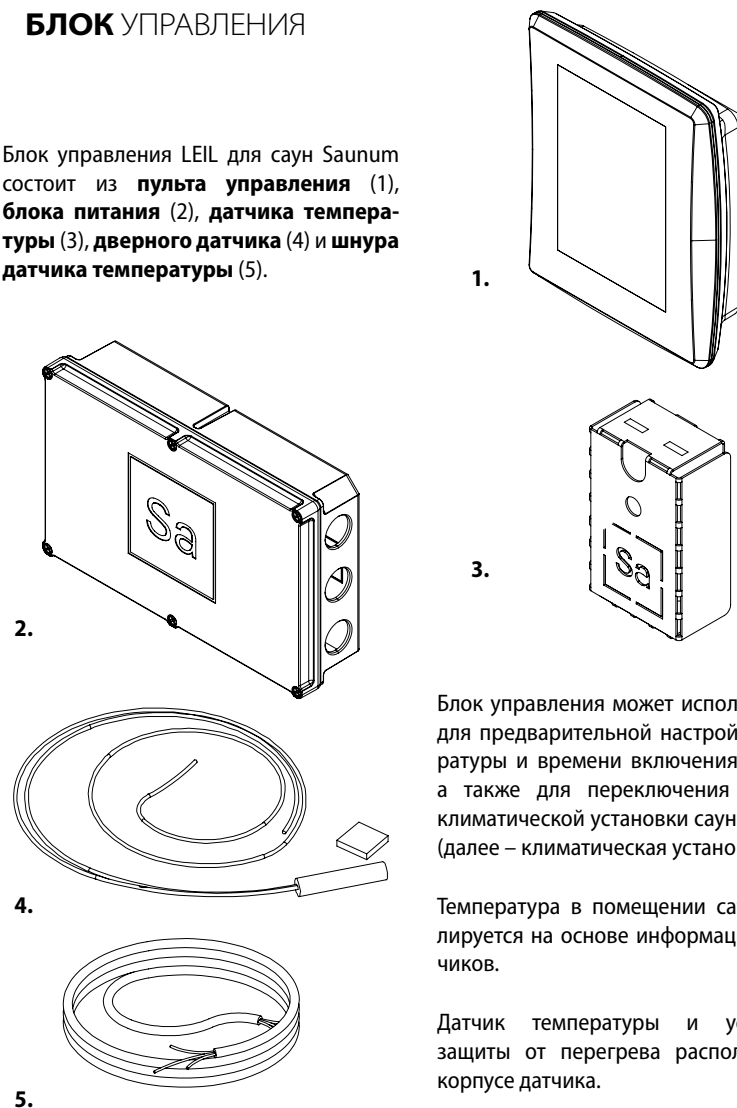
дителя каменки, нет никаких предметов.

- Согласно производственному стандарту IEC/EN 60335-2-53, устанавливающему требования к электрическим каменкам для саун, блок управления может использоваться для дистанционного управления каменкой, если каменка или дверь сауны оборудованы аварийным выключателем (дверным датчиком).
- Продолжительное нахождение в сауне может нанести вред вашему здоровью или привести к смерти.
- Не находитесь в парном помещении дольше 30 минут подряд.
- Покиньте парное помещение, если почувствуете сонливость, головокружение или слабость.
- Не сушите в сауне предметы или живых существ.

Sa

БЛОК УПРАВЛЕНИЯ

Блок управления LEIL для саун Saunum состоит из **пульта управления (1), блока питания (2), датчика температуры (3), дверного датчика (4) и шнура датчика температуры (5).**



Блок управления может использоваться для предварительной настройки температуры и времени включения каменки, а также для переключения скорости климатической установки сауны Saunum (далее – климатическая установка).

Температура в помещении сауны регулируется на основе информации от датчиков.

Датчик температуры и устройство защиты от перегрева расположены в корпусе датчика.



ИСПОЛЬЗОВАНИЕ КАМЕНКИ

С БЛОКОМ УПРАВЛЕНИЯ

Когда в помещении сауны достигается температура, выбранная на пульте управления, нагревательные элементы выключаются автоматически.

Блок управления будет автоматически включать и выключать нагревательные элементы для поддержания заданной температуры.

Каменка выключается по истечении установленного времени, при нажатии кнопки «Стоп» или возникновении ошибки.

БЛОК УПРАВЛЕНИЯ

- Регулирует температуру сауны и скорость работы климатической установки.
- Три предварительно настроенных типа сауны, которые можно изменять.
- Можно выбрать время готовности сауны к использованию (нагрев начинается примерно на 1,5 часа раньше).
- Уведомление о готовности сауны отображается на экране. При использовании мобильного приложения Saunum уведомление отображается и в приложении.
- Выбор языка.
- Сенсорный экран.
- Блокировка экрана / блокировка от детей.
- Защита от перегрева.

- Желаемые функции можно выбрать на экране, числовые значения, отображаемые красным цветом, можно изменить.
- Дистанционное управление – с помощью мобильного приложения Saunum.

Устройства с включенной поддержкой приложения можно контролировать и настраивать с помощью мобильного телефона.

Дистанционное управление каменкой можно использовать только при наличии аварийного датчика двери (согласно производственному стандарту IEC/EN 60335-2-53, устанавливающего требования к электрическим каменкам для саун).

Каменку можно включить дистанционно только при закрытой двери. Если цепь разомкнута, каменка не включится.

После монтажа блока управления установщик должен передать данное руководство владельцу сауны. Владелец изделия должен предоставить руководство по эксплуатации всем лицам, использующим сауну или управляющим ей. Ознакомьтесь с дополнительными инструкциями по монтажу, эксплуатации и утилизации, приведенными в оригинальном руководстве по эксплуатации блока управления. Saunum оставляет за собой право время от времени вносить изменения в данное руководство, эти изменения будут публиковаться на веб-сайте www.saunum.com. Несоблюдение инструкции может привести к телесным повреждениям, смерти, пожару и/или порче имущества, а гарантия на устройство может быть аннулирована.



ИНДИКАТОРЫ



Время начала готовности сауны



Температура



Продолжительность работы сауны



Климатическая установка



Скорости климатической установки



Свет



Мощность каменки, кВт



Объем помещения сауны, м³



Блокировка экрана / блокировка от детей



Увеличение значения



Уменьшение значения



Перейти к следующему окну



- 1
- 2
- 3
- 4
- 5

1. Меню
2. Свет
3. Время
4. Состояние каменки
5. Wi-Fi-соединение

Меню



🏠 Начало

⚙️ Настройки

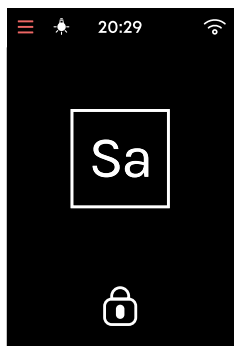
Control panel FWU

Power board FWU



НАГРЕВ

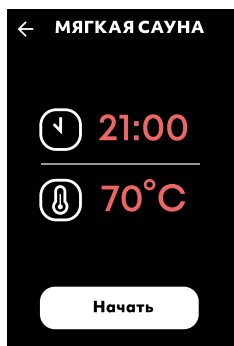
1. Чтобы начать, коснитесь экрана.



Установка времени готовности сауны.

Время готовности сауны наступает тогда, когда температура паровой зоны сауны достигает выбранного уровня (нагрев начинается примерно на 1,5 часа раньше).

2. Чтобы начать нагрев сауны, нажмите кнопку «Начать».



Пока сауна находится в режиме нагрева, продолжительность сеанса сауны и температуру можно изменить с помощью регуляторов продолжительности и температуры, выбрав желаемые числовые значения.

ИСПОЛЬЗОВАНИЕ ФУНКЦИИ РЕГУЛИРОВАНИЯ КЛИМАТА В САУНЕ SAUNUM

ВНИМАНИЕ! Функцию регулирования климата нельзя использовать во время нагрева паровой зоны сауны, так как это может привести к увеличению времени нагрева и возможному перегреву.

Используйте функцию регулирования климата в паровой зоне сауны ТОЛЬКО во время посещения сауны. Для защиты сауны от перегрева климатическая установка может запускаться самостоятельно. Не оставляйте функцию регулирования климата работать без присмотра.

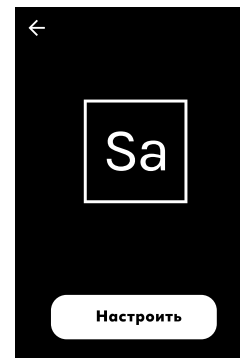


НАСТРОЙКА САУНЫ

Saunum ведет постоянную работу над совершенствованием блока управления LEIL с целью добавления новых функций, которые делают использование устройства более удобным. Saunum оповещает своих клиентов обо всех обновлениях программного обеспечения. Для загрузки этих обновлений требуется подключение к интернету. Чтобы обеспечить актуальность программного обеспечения на вашем устройстве, когда оно не подключено к сети Wi-Fi на постоянной основе, вам необходимо создать точку доступа в интернет с помощью мобильного телефона.

При монтаже устройства впервые обязательно включите доступ к интернету и загрузите необходимые обновления.

1. При первом включении устройства отобразится опция «Настроить». Чтобы начать процесс настройки, нажмите «Настроить».



2. Подключение к сети Wi-Fi.

Выберите нужную сеть Wi-Fi, нажав на соответствующее название. Если подключить пульт управления сауной к сети Wi-Fi нет необходимости, нажмите кнопку «Пропустить».

Установите пульт управления в месте с хорошим Wi-Fi-соединением. Вы можете убедиться в надлежащем качестве соединения с помощью смартфона:

- отключите в смартфоне передачу данных через мобильную сеть;
- включите на телефоне Wi-Fi;
- качество Wi-Fi-соединения в месте установки будет достаточным при хорошем Wi-Fi-соединении вашего смартфона и надлежащей работе приложений, требующих передачи данных.

Если качество соединения недостаточно хорошее:

- попробуйте выбрать другое место;
- по возможности измените расположение вашего роутера Wi-Fi, чтобы улучшить соединение с пультом управления Saunum.

Качество Wi-Fi-соединения могут снизить конструкция здания, строительные материалы, скрытый монтаж устройства и другие факторы.

Совет! Для увеличения охвата сети можно использовать усилитель Wi-Fi.

Пульт управления Saunum с Wi-Fi-соединением предназначен для управления электрической каменкой для сауны.

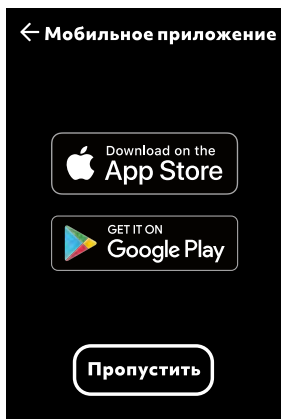
Sa

Кроме того, с помощью пульта управления можно:

- устанавливать и отслеживать температуру сауны;
- включать и устанавливать скорость для функции регулирования климата в сауне Saunum;
- просматривать информацию о состоянии каменки;
- устанавливать время запуска по графику.

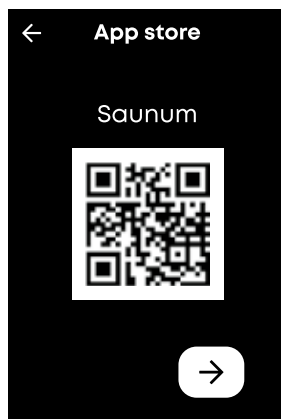
Мобильное приложение Saunum – это мобильное приложение, позволяющее дистанционно контролировать пульт управления Saunum.

3. Загрузка приложения Saunum.



Если использовать мобильное приложение нет необходимости, нажмите кнопку «Пропустить».

4. Открытие загрузки приложения Saunum.



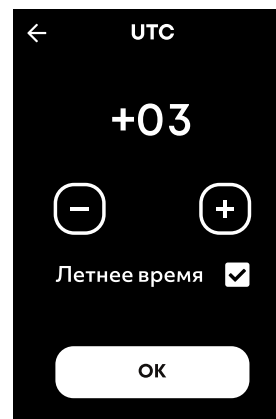
Отсканируйте QR-код, который откроет приложение Saunum в Google Play или App Store.

5. Для подключения приложения Saunum отсканируйте QR-код, отображаемый на пульте управления.



Sa

6. Установка часового пояса.



Настройка местного часового пояса (UTC) требуется в том случае, если пульт управления сауной предварительно был подключен к сети Wi-Fi.

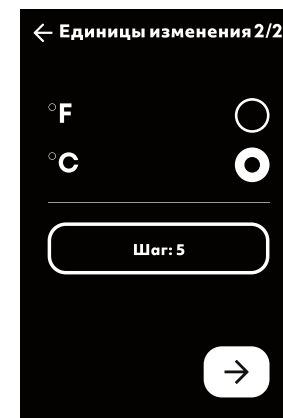
7. Установка даты и времени.



8. Установка единиц измерения (1/2).



9. Установка единицы измерения температуры (2/2).

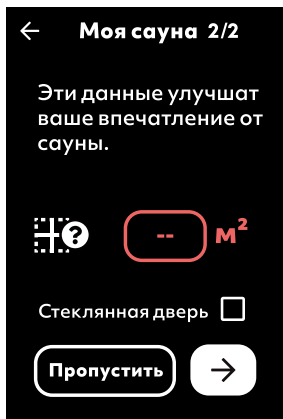




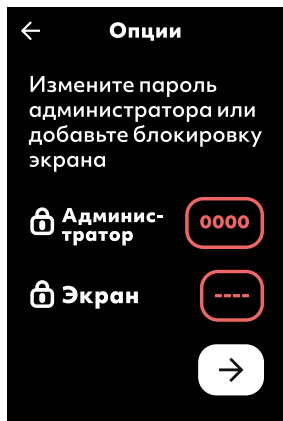
10. Ввод данных сауны (1/2).



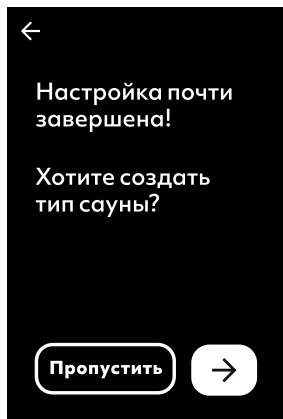
11. Ввод данных сауны (2/2).



12. Установка паролей (пароль доступа по умолчанию 2002).



13. Создание типа сауны (1/4).



14. Создание типа сауны (2/4).



15. Создание типа сауны (3/4).



16. Создание типа сауны (4/4).

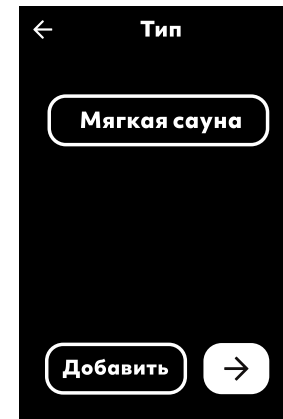
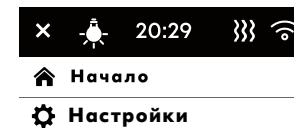


ГРАФИК ИСПОЛЬЗОВАНИЯ САУНЫ

Откройте меню.



Saunum позволяет планировать посещение сауны заранее, установив еженедельный график.

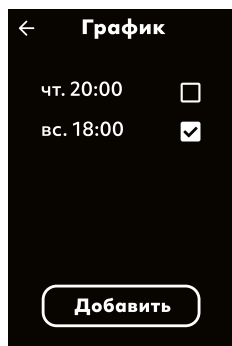
Для этого выберите в меню «График».



Перед запланированным сеансом сауны обязательно убедитесь, что на каменке и в области вокруг каменки не находятся посторонние предметы.

Учтите, что запланированный сеанс не начнется, если в это время дверь сауны была открыта.

1. Откройте график.



2. Установка дня недели.

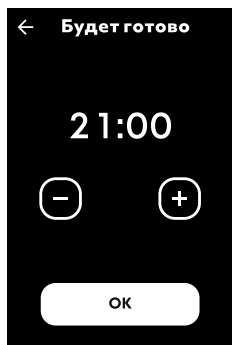


Перед наступлением выбранного времени появится сообщение о том, что сеанс нагрева скоро начнется.

Вы можете отменить сеанс, нажав «Отменить».

Если вы не отмените сеанс, начнется нагрев и после достижения желаемой температуры каменка будет работать в течение 30 минут, после чего остановится, если сеанс не будет подтвержден вручную.

3. Установка времени.



4. Установка типа сауны.



Sa

ТЕХНИЧЕСКИЕ ДАННЫЕ**ПУЛЬТ УПРАВЛЕНИЯ**

- Диапазон регулировки температуры составляет 40–100 °С.
- Предварительная настройка графика на неделю.
- Позволяет установить время работы каменки: до 6 часов в частной сауне, до 12 часов в общественной сауне.
- Если необходимо более продолжительное время работы, проконсультируйтесь с импортером/производителем.
- Трехскоростное управление климатической установкой.
- Размеры: 104 мм × 83 мм × 19,3 мм.

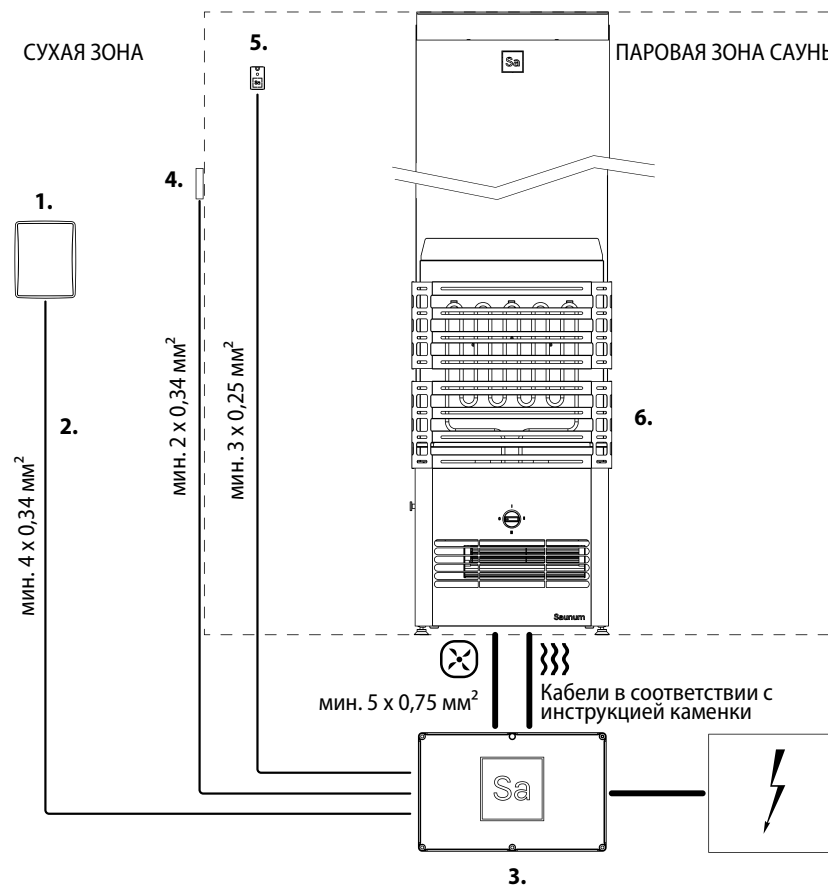
БЛОК ПИТАНИЯ

- Напряжение питания: 240 В 3Н~.
- Максимально допустимая мощность каменки 9 кВт /12 кВт.
- Для каменок большей мощности необходима отдельная «контакторная коробка».
- Размеры: 61 мм × 160 мм × 225 мм.
- Защитное устройство: дверной датчик, защита от перегрева.

Условия хранения: от –30 до +80 °С.



Sa



1. ПУЛЬТ УПРАВЛЕНИЯ
2. КАБЕЛЬ ПЕРЕДАЧИ ДАННЫХ
(поставляется установщиком)
3. БЛОК ПИТАНИЯ

4. ДВЕРНОЙ ДАТЧИК
5. ДАТЧИК ТЕМПЕРАТУРЫ
6. КАМЕНКА
(продается отдельно)

Sa

ИНСТРУКЦИЯ ПО МОНТАЖУ

ВНИМАНИЕ! Несоблюдение приведенных здесь указаний при монтаже приведет к аннулированию гарантии. Это может вызвать риск возгорания и/или короткого замыкания, что может привести к порче имущества, телесным повреждениям или смерти.

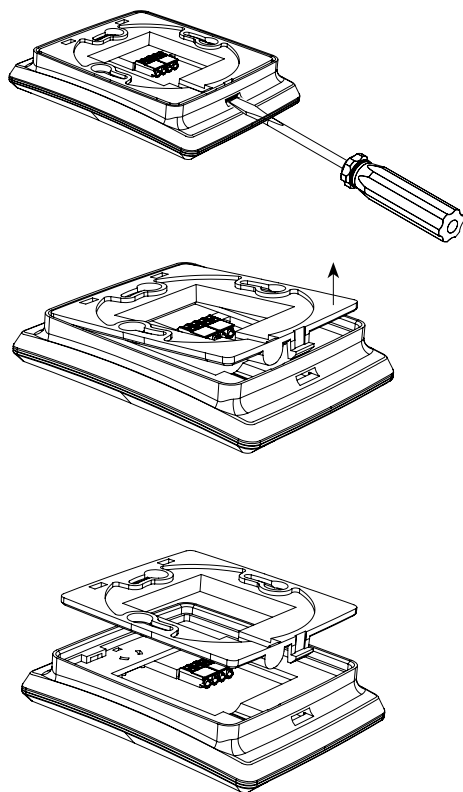
Лицензированный профессиональный электрик может выполнять монтаж блока управления только в соответствии с действующими нормами. Лицо, ответственное за монтаж, должно провести необходимое обучение и по завершении монтажа вернуть руководство по эксплуатации владельцу изделия. Владелец изделия должен предоставить доступ к руководству по эксплуатации всем лицам, использующим этот продукт или управляющим им.

МОНТАЖ ПУЛЬТА УПРАВЛЕНИЯ

Для скрытого монтажа кабель передачи данных можно проложить в защитной трубке внутри стены; если это невозможно, кабель следует проложить на поверхности стены.

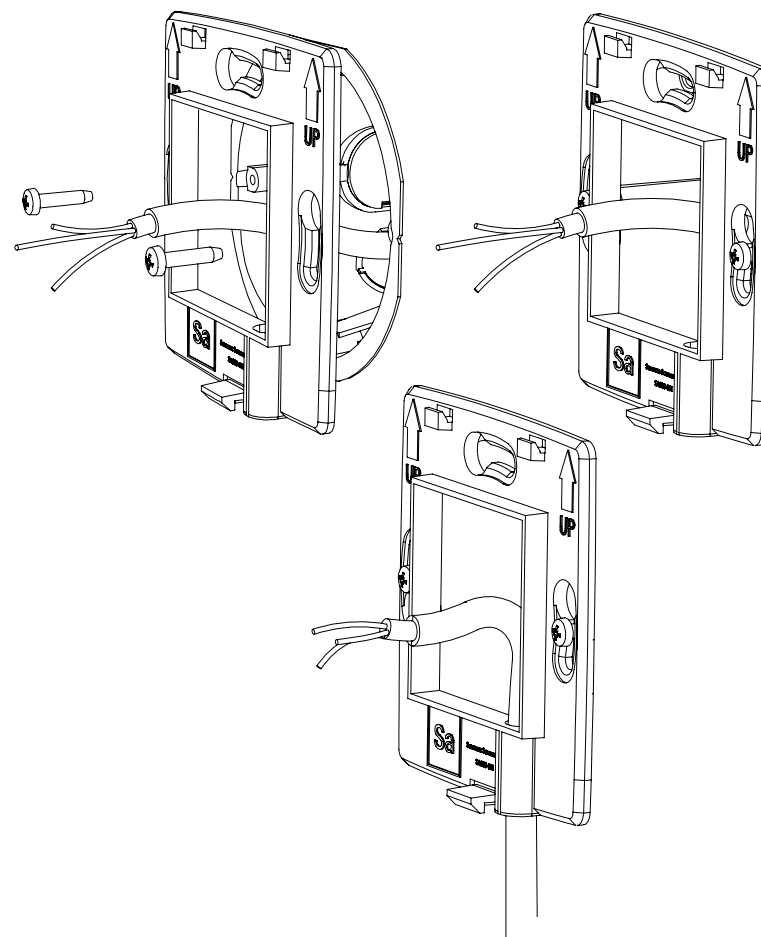
Пульт управления должен быть установлен на стене, в месте, защищенном от брызг воды.

1. Снимите с устройства настенное крепление.



Sa

2. Проденьте кабель передачи данных через отверстие в настенном креплении.

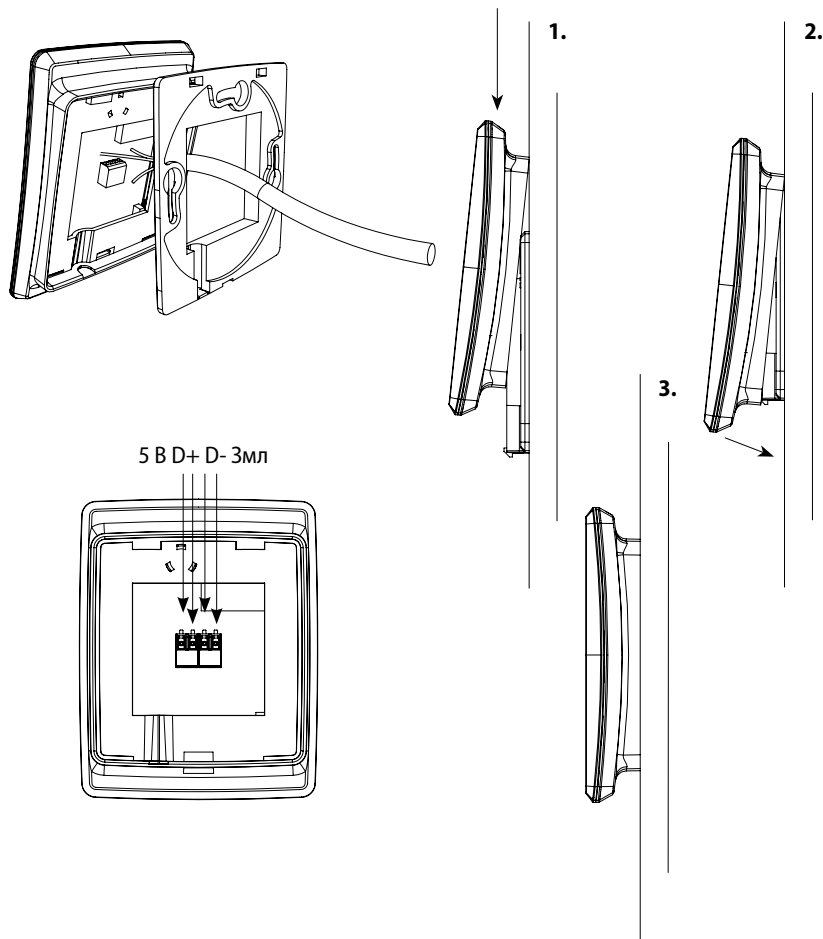


3. Зафиксируйте настенное крепление на стене с помощью винтов.

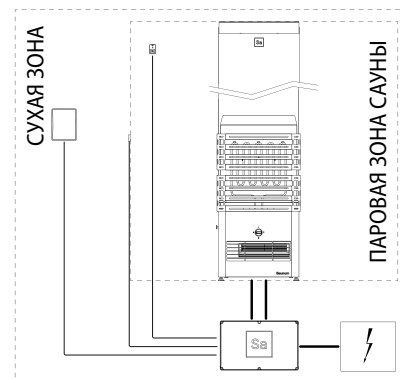


4. Подключите кабель передачи данных к разъему.

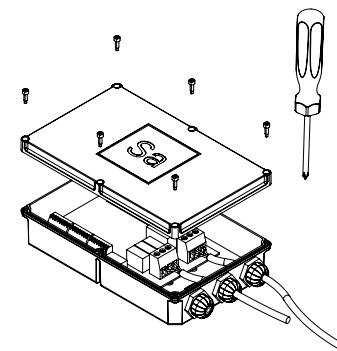
5. Надавите на пульт управления для его установки в настенное крепление.



МОНТАЖ
БЛОКА ПИТАНИЯ

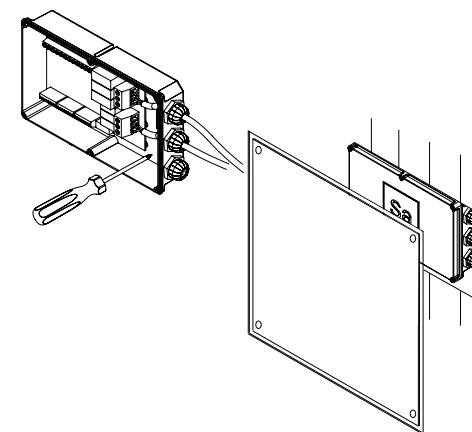


1. Откройте крышку блока питания.



Место монтажа должно быть сухим, а температура в нем не должна превышать 65 °С.

2. Просверлите отверстия в корпусе и прикрепите блок питания к стене или распределительному щиту.





ЭЛЕКТРИЧЕСКИЕ СОЕДИНЕНИЯ

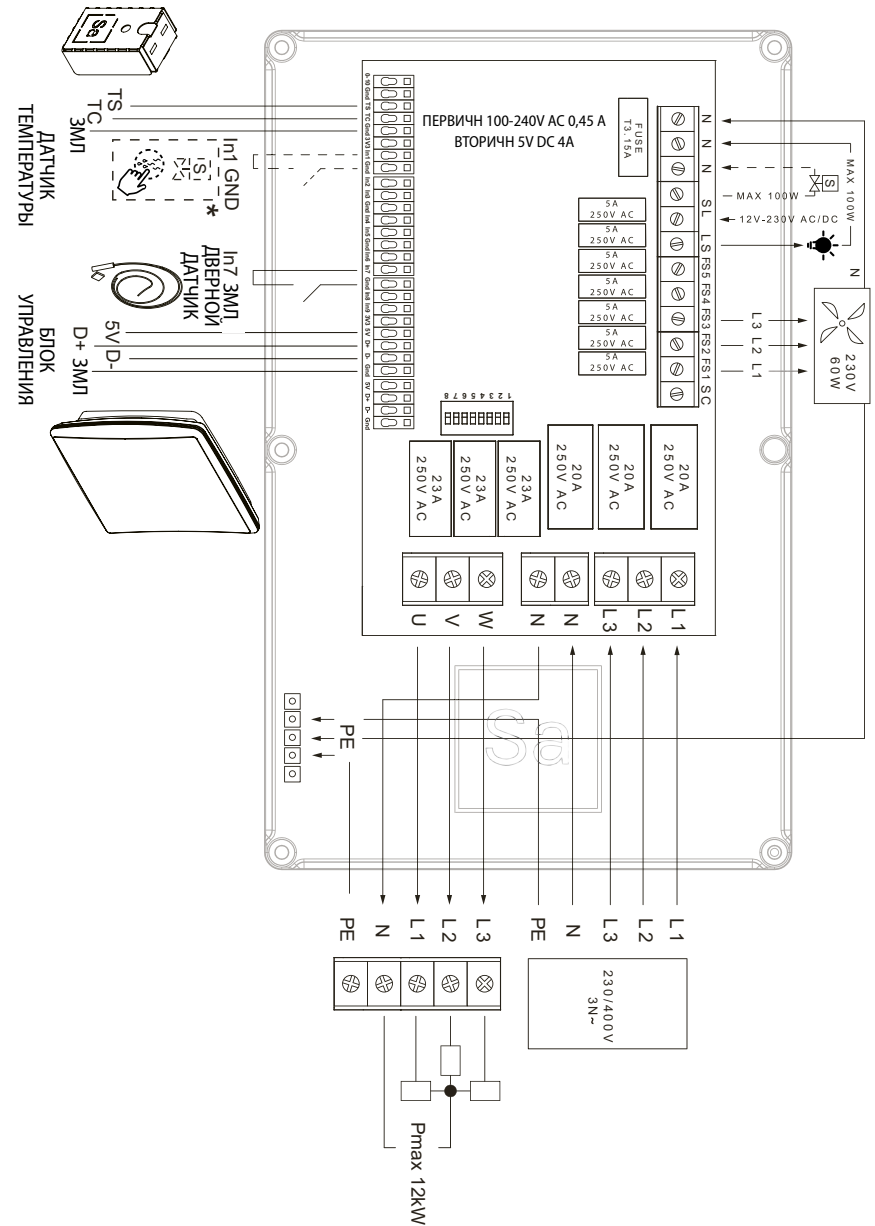
Порядок подключения блока питания изображен на схеме электрических соединений.

Для получения дополнительной информации о подключении каменки см. инструкцию по монтажу и эксплуатации каменки.

- Если соединительные и монтажные кабели расположены на уровне выше 1000 мм от пола или внутри стен помещения сауны, они должны выдерживать температуру не менее 170 °C (например, SSJ). Электрооборудование, установленное в парном помещении на уровне ниже 1000 мм от пола, должно выдерживать температуру не ниже 125 °C (например, T125).

РЕКОМЕНДУЕМЫЕ ДИАМЕТРЫ КАБЕЛЯ

Датчик температуры – термозащита (кремний или другой термостойкий материал, способный выдерживать температуру не ниже 140 °C):	мин. 3 x 0,25 мм ²
Пульт управления (для многожильных кабелей требуются втулочные наконечники):	мин. 4 x 0,34 мм ²
Дверной датчик:	мин. 2 x 0,34 мм ²



Sa

МОНТАЖ ДВЕРНОГО ДАТЧИКА

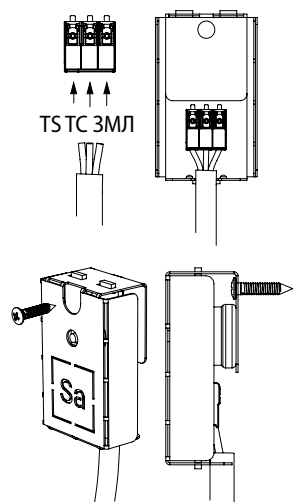
Дверной датчик представляет собой электромагнитный выключатель, который крепится к дверной раме помещения сауны.

Закрытие двери замыкает цепь дверного датчика и позволяет активировать управление сауной.

Открытие двери сауны размыкает цепь, и включение каменки становится невозможным.

Дверной датчик состоит из двух частей: датчика и магнита.

- Подсоедините концы кабеля к клеммам датчика.
- Закрепите магнит на двери с помощью двусторонней клейкой ленты. Магнит должен позволять двери закрываться и должен находиться близко к дверной раме.
- Прикрепите магнитный датчик к дверной раме, совместив положение датчика и магнита при закрытой двери. Максимальное расстояние между частями дверного сенсора при закрытой двери должно быть 5 мм.



МОНТАЖ ДАТЧИКА ТЕМПЕРАТУРЫ

Для монтажа датчика температуры/защиты от перегрева выполните следующие действия:

- подсоедините кабель к разъемам датчика температуры;
- зафиксируйте датчик температуры на стене с помощью винта (см. рисунок);
- датчик температуры нельзя размещать над каменкой;
- датчик температуры должен находиться на расстоянии не менее 200 мм от каменки. Датчик температуры должен быть

установлен на уровне 100 мм ниже потолка.

Датчик температуры должен находиться на расстоянии не менее 500 мм от любого отверстия для воздуха (вентиляция, дверь или окно).

Воздушный поток возле вентиляционного отверстия охлаждает датчик, что приводит к неточным показаниям температуры в блоке управления.

Это может привести к перегреву каменки.

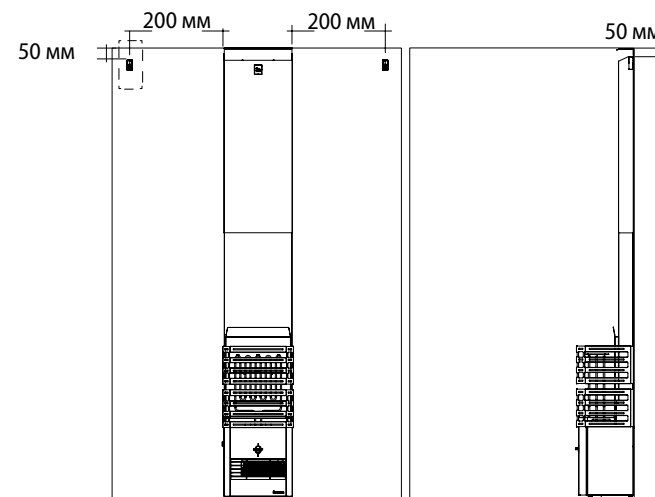
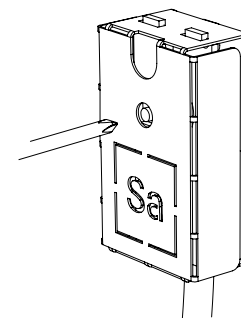
Кнопка сброса защиты от перегрева.

- В корпусе датчика установлены датчик температуры и защита от перегрева. Датчик темпера-

Sa

туры определяет температуру, а защита от перегрева в случае неисправности отключает питание каменки; защиту от перегрева можно сбросить в исходное состояние.

Примечание! Перед сбросом необходимо выяснить причину отключения.





ГАРАНТИЯ

УСЛОВИЯ ГАРАНТИИ

- Гарантия действительна только в том случае, если вместе с претензией подается заполненный протокол монтажа.
- Устройство подключено к сети в соответствии со всеми законодательными нормами и требованиями профессиональным лицензированным и сертифицированным электриком.
- При использовании в частной сауне срок гарантии на устройство составляет два (2) года.
- При использовании в общественной сауне срок гарантии на устройство составляет один (1) год.

Действие гарантии Saunum начинается с даты покупки и распространяется на все детали блока управления, предоставленные производителем. Гарантия распространяется только на дефекты, связанные с качеством сборки и материалами. Согласно условиям гарантии, Saunum предоставит покупателю детали на замену, но только после того, как неисправные детали будут возвращены производителю или торговому посреднику. Замена любой детали блока управления компанией Saunum не продлевает первоначальный гарантийный срок.

Электрическое устройство должно подключаться к сети в соответствии со всеми законодательными нормами и требованиями только лицензированным

и сертифицированным электриком.

Гарантия распространяется только на первый монтаж изделия и только для первоначального покупателя.

Гарантия не распространяется на следующее:

- регулярное техническое обслуживание и чистка устройства, а также замена компонентов в связи с естественным износом;
- риски, возникающие при транспортировке;
- повреждения, возникшие в результате неправильной эксплуатации устройства;
- повреждения, возникшие в результате неправильного монтажа устройства;
- внесение изменений в устройство или его модификация для использования в целях, отличных от указанных в инструкции по эксплуатации;
- ремонт устройства, который не был выполнен рекомендованной компанией Saunum партнером по ремонту и техническому обслуживанию;
- повреждения из-за несчастных случаев, удара молнии, воды, огня, неправильной вентиляции или иных факторов, не зависящих от компании Saunum.

Список рекомендованных компанией Saunum Saunas OÜ поставщиков услуг по установке и обслуживанию доступен на веб-сайте www.saunum.com.



ПРОТОКОЛ МОНТАЖА

Модель блока управления для саун Saunum: _____

Дата покупки: _____

Первоначальный покупатель: _____

Место монтажа: _____

Продавец: _____

Дата электромонтажа: _____

Подпись установщика: _____

Примечания: _____

Контактные данные клиента (имя, адрес электронной почты): _____

Работа принята: _____

Дата начала действия гарантии: _____

Внимательно и тщательно ознакомьтесь со всеми инструкциями по эксплуатации **перед использованием устройства** и храните их в безопасном и легкодоступном месте на случай необходимости.



Заявление о соответствии стандартам ЕС

Производитель: Saunum Saunas OÜ

подтверждает, что изделие

Блок управления LEIL для саун Saunum

соответствует требованиям следующих директив Европейского парламента и Совета ЕС при условии, что монтаж был выполнен в соответствии с инструкцией по монтажу, выданной производителем оборудования, и стандартом.: IEC/EN 60335-2-53

Директива 2014/35/ЕС о низковольтном оборудовании;
Директива 2014/30/ЕС об электромагнитной совместимости.



Sa

Saunum

„Saunum“ pirties valdymo įrenginys **LEIL**

GERIAUSIA, KĄ GALIMA PATIRTI PIRTYJE!



L abai džiaugiuosi, kad investavote į „Saunum“ įrenginį, ir tikiuosi, kad mūsų novatoriška technologija padovanos jums nuostabių ir nepaprastų potyrių pirtyje.

Turiu šiluminių technologijų inžinieriaus išsilavinimą ir esu iš Pietų Estijos, kur ir gimė mano meilė pirtims. Vietinių istorinių dūminių pirtčių ypatumas – žemesnė temperatūra ir didesnis drėgmės lygis nei, pavyzdžiui, klasikinėje suomiškoje pirtyje. Įprastose pirtyse krosnelės akmenų tūris paprastai yra mažas. Dėl tokio išdėstymo gali pradėti sklisti deginančiai karšti garai, o temperatūra būti itin netolygi, kai galvos ir pečių lygyje tikrai karšta, bet pėdos lieka šaltos. Tokie potyriai gali būti gana nemalonūs ir sukelti galvos skausmą bei organizmo stresą. Tačiau senovinėse dūminėse pirtyse ir indėnų pirtyse akmenys pirmiausia buvo įkaitinami dieną. Tuomet akmenyse sukaupta šiluma buvo naudojama kūno valymui ir tikrai maloniam pirties potyriui sukurti.

Įkvėptas dūminės pirties patirties norėjau sukurti novatorišką sprendimą, kuris sujungtų geriausias autentiškos pirties savybes ir šiuolaikines technologijas ir kuris leistų mėgautis maloniai šilta ir atpalaiduojančia pirtimi be skausmingai svilinančių garų. Tačiau tam turėjau išspręsti problemą, kaip pasiekti vienodą temperatūrą tiek galvos, tiek pėdų lygyje. Mano parengiamiesiems darbams padėjo kartu su Talino technologijos universitetu atliktas tyrimas, kurio metu analizavome šiluminę stratifikaciją ir oro judėjimą pirties patalpoje. „Saunum“ gimė kartu veikiant ir moksliniam mąstymui, ir technologinėms naujovėms.

Unikali patentuota „Saunum“ oro sluoksnių maišymo sistema sulaiko karštus garus, kylančius link pirties lubų, sumaišo juos su vėsesniu oru ties grindų paviršiumi ir nebe tokiais karštus garus tolygiai nukreipia atgal. Tai sukuria malonų, neagresyvių karštį. Pirtyje galite pasėdėti ilgiau ir mėgautis prakaitavimu bei giliu apšalymu nejausdami nuovargio. Mūsų krosnelių akmens tūris yra kur kas didesnis nei kitų pirties krosnelių, todėl sukuriamas malonus patalpos klimatas su ilgai sklindančiais ir švelniais garais.

Drėgna garinė pirtis, sanariumas, gydomoji druskų pirtis ar sveikatinamoji aromatinė pirtis – visas šias funkcijas užtikrina „Saunum“ įrenginiai, suteikiantys tikro atsipalaidavimo pirtyje patirtį. Įrenginyje naudojant Himalajų druskos rutuliukus, odai ir kvėpavimo takams naudingi druskos jonai garuoja ir kartu su garais cirkuliuoja ore. Pridėjus pirties aromatinę sistemą, kurioje susilieja garai ir sveikatinamasis aromatinis aliejus, sukuriamas dar malonesnė pirties aplinka.

„Saunum“ pirties įrenginiai tinka tiek suaugusiems, tiek vaikams.

Malonios pirties!

Andrus Vare
„Saunum“ kūrėjas

„Saunum“ **sveikina jus**
pasirinkus novatorišką
pirties valdymo įrenginį!

TURINYS

Įspėjimai ir pastabos _____	106
NAUDOJIMO TAISYKLĖS	
Krosnelės naudojimas ir kaitinimosi instrukcijos _____	108
Valdymo įrenginys _____	109
Indikatoriai _____	111
Šildymas _____	112
„Saunum“ pirties ventiliatoriaus funkcijos naudojimas _____	112
Pirties konfigūravimas _____	113
Pirties grafiko sudarymas _____	117
Techniniai duomenys _____	120
ĮRENGIMO INSTRUKCIJA	
Valdymo pulto įrengimas _____	122
Maitinimo bloko įrengimas _____	125
Elektros jungtys _____	126
Durų jutiklio įrengimas _____	128
Temperatūros jutiklio įrengimas _____	128
Garantijos sąlygos _____	130
Įrengimo protokolas _____	131

Sa



Visi šio gaminio naudotojai prieš jį naudodami turi atidžiai perskaityti šiuos įspėjimus ir vadovą! Jei nesilaikysite instrukcijų, galite susižaloti ar net žūti, gali kilti gaisras ir (arba) būti sugadintas turtas, o įrenginio garantija – panaikinta.

Valdymo pultas skirtas valdyti pirties krosnelę ir valdymo įrenginio funkcijas.

Jokiam kitam tikslui jo naudoti negalima!

Šio įrenginio neturėtų naudoti vaikai, riboto mobilumo ar sergantys asmenys. Vaikai įrenginį turėtų naudoti tik nuolat ir atidžiai prižiūrimi suaugusiųjų.

Silpnesnių fizinių, jutiminių ar protinių gebėjimų asmenys arba asmenys, neturintys patirties ir žinių, šį įrenginį turėtų

naudoti tik nuolat ir atidžiai prižiūrimi suaugusiųjų ir tik pasitarus su gydytoju.

Prieš naudodamiesi pirtimi, visi naudotojai turėtų pasitarti su gydytoju, kad įsitikintų, jog neturi sveikatos sutrikimų, dėl kurių kaitinimasis pirtyje būtų nesaugus, bei aptarti trukmės ir temperatūros apribojimus. Nėščiosios, prieš ketindamos eiti į pirtį, turėtų pasitarti su gydytoju. Per aukšta kūno temperatūra ankstyvuojų nėštumo laikotarpiu gali pakenkti vaisiui.

Narkotikų, vaistų ar alkoholio vartojimas prieš pirtį ar būnant joje gali sukelti galvos svaigulį arba sąmonės netekimą, o tai gali baigtis susižalojimu ar mirtimi. Niekas neturėtų naudoti šio gaminio būdamas apsvaigęs nuo alkoholio ar narkotikų. Vaisius vartojantys asmenys turėtų pasitarti su gydytoju, kad įsitikintų, jog naudotis pirtimi vartojant vaistus yra saugu. Sėdėdami ar gulėdami pirties patalpoje naudotojai turėtų pasidėti rankšluostį, kad kūno oda nesiliestų su pirties suolu ar siena. Naudodamiesi pirtimi, žinokite apie pavojus, susijusius su lankymusi pirtyje. Pirties garinėje patalpoje vienu kartu nebūkite ilgiau nei 30 minučių.

Ilgalaikis garų poveikis gali būti žalingas ar net mirtinas. Naudotojai turėtų nustoti naudotis pirtimi, jei jaučiasi apsvaigę, sukasi galva arba jaučiasi išvarginti karščio. Įkaitintoje pirtyje miegoti draudžiama. Naudotojai turi būti atidūs, kad neužmigytų naudodamiesi pirtimi.

Sa

Elektros įrenginį prie elektros tinklo prijungti gali tik licencijuotas, profesionalus, sertifikuotas elektrikas, besilaikantis visų teisės aktų ir reglamentų.

Prijungęs ir sumontavęs valdymo įrenginį, montuotojas privalo informuoti pirties savininką ar operatorių apie visus jo eksploataavimo reikalavimus.

Reikalavimus, kaip naudotis pirtimi, kiekvienam turi pateikti jos savininkas arba operatorius.

Visą gaminio priežiūrą, išskyrus įprastą jo paviršiaus valymą, turi atlikti išmokytas specialistas.

Prieš atlikdami bet kokius priežiūros darbus įrenginį visada atjunkite nuo elektros tinklo!

- Prieš įrengdami ir naudodami patikrinkite, ar valdymo įrenginyje nėra matomų pažeidimų. Nenaudokite pažeisto įrenginio arba įrenginio, kurio originali gamintojo būklė buvo pakeista.
- Labai svarbu įrenginį sumontuoti pagal įrengimo ir naudojimo instrukcijas. Atidžiai nesilaikant visų instrukcijų, gali kilti gaisro arba trumpojo jungimo pavojus, dėl kurių gali būti sugadintas turtas, galima susižaloti ar net žūti.

- Šiame įrenginyje neturi būti montuojami jokie priedai, kurių gamintojas nepatvirtino. Jei įrenginyje montuojami tinkami priedai, vado-vaukitės konkretaus priedo naudo-jimo ir montavimo instrukcijomis!
- Jei pažeidžiamas maitinimo laidas, jį turi pakeisti gamintojo techninės priežiūros partneris arba panašios kvalifikacijos licencijuotas profesio-nalus, sertifikuotas elektrikas, kad būtų išvengta pavojaus.
- Valdymo pultą valykite šiek tiek sudrėkinta šluoste. Naudokite tik švelnias valymo priemones, niekada nenaudokite tirpiklių ar esdri-nančių cheminių medžiagų. Prieš naudojimą leiskite gaminiui visiškai išdžiūti.
- Šio gaminio negalima išmesti kartu su buitinėmis atliekomis. Norėdami gaminį perdurti, nuneškite jį į vietinę surinkimo įmonę arba kreipki-tės į jo įsigijimo vietą.

Sa

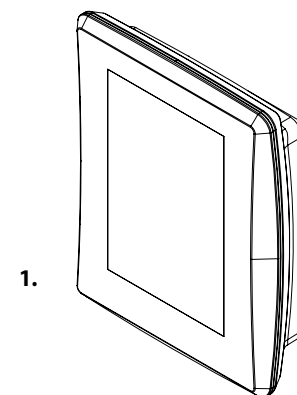
KROSNELĖS NAUDOJIMAS IR KAITINIMOSI INSTRUKCIJOS

- Prieš įjungdami kaitinimą visada patikrinkite, ar ant krosnelės arba aplink ją nėra jokių daiktų krosnelės vadove gamintojo nurodytu atstumu.
- Visada patikrinkite, ar krosnelė išsijungė ir nustojo kaitinti pasibaigus nustatytam įjungimo laikui.
- Viešosiose pirtyse, kur krosnelė nepertraukiamai naudojama ilgiau, nei pagal gamintojo nuostatas leidžia krosnelės laikmatis arba valdymo įrenginys, įrenginys turi būti naudojamas tik jį nuolat prižiūrint suaugusiajam, kuris priežiūros metu nesinaudoja pirtimi.
- Nustačius valdymo įrenginio budėjimo režimą nuotolinio valdymo ar perjungimo tikslais, reikia iš anksto įsitikinti, kad garinėje patalpoje arba ant krosnelės nėra daiktų, neatitinkančių gamintojo krosnelės naudojimo instrukcijoje nurodytų saugių atstumų.
- Pagal elektrines pirties krosneles reglamentuojantį gaminio standartą IEC/EN 60335-2-53 valdymo įrenginys gali būti naudojamas krosnelei valdyti nuotoliniu būdu, kai krosnelėje ar pirties duryse yra įrengtas apsauginis jungiklis (durų jutiklis).
- Ilgai trunkantis kaitinimasis pirtyje gali pakenkti sveikatai ar net sukelti mirtį.
- Pirties garinėje patalpoje nebūkite ilgiau nei 30 minučių (iš eilės).
- Išeikite iš garinės patalpos, jei jaučiate mieguistumą, galvos svaigimą ar silpnumą.
- Pirtyje nedžiovinkite daiktų ar gyvūnų.

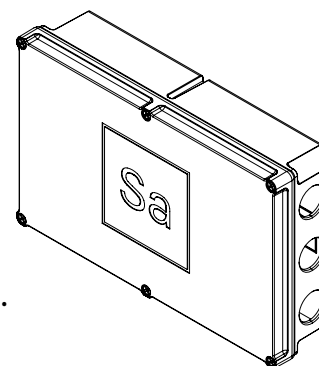
Sa

VALDYMO ĮRENGINYS

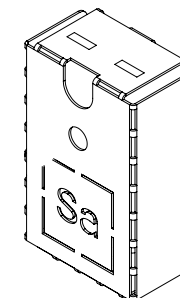
„Saunum“ pirties valdymo įrenginį LEIL sudaro **valdymo pultas** (1), **maitinimo blokas** (2), **temperatūros jutiklis** (3), **durų jutiklis** (4) ir **temperatūros jutiklio laidas** (5).



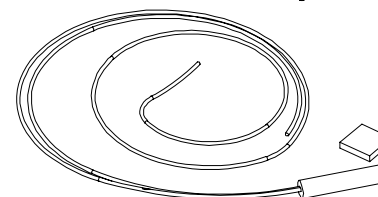
1.



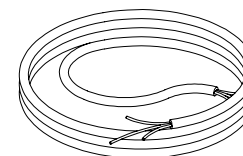
2.



3.



4.



5.

Valdymo įrenginiu galima iš anksto nustatyti krosnelės temperatūrą ir paleidimo laiką bei perjungti „Saunum“ pirties klimato įrenginio (toliau – ventilatoriaus) greitį.

Pirties patalpos temperatūra reguliuojama pagal jutiklio informaciją.

Temperatūros jutiklis ir saugiklis nuo perkaitimo yra jutiklio korpuse.



KROSNELĖS NAUDOJIMAS SU VALDYMO ĮRENGINIU

Kaitinimo elementai automatiškai išsijungs, kai pirties patalpoje bus pasiekta valdymo pulte pasirinkta temperatūra.

Valdymo įrenginys automatiškai įjungs ir išjungs kaitinimo elementus, kad palaikytų pageidaujamą temperatūrą.

Krosnelė išsijungs pasibaigus nustatytam laikui, paspaudus mygtuką „Stabdyti“ arba įvykus klaidai.

VALDYMO ĮRENGINYS

- Valdo pirties temperatūrą ir ventiliatoriaus greitį.
- Trys iš anksto nustatyti pirčių tipai, kuriuos galite keisti patys.
- Galima pasirinkti pirties paruošimo naudoti laiką (kaitinimas prasideda maždaug 1,5 valandos anksčiau).
- Pranešimas apie pirties paruošimą – pranešimas ekrane. „Saunum“ programėlės ir mobiliosios programėlės naudojimas.
- Kalbos.
- Jutiklinis ekranas.
- Ekranu užsklanda / užraktas nuo vaikų.

- Apsauga nuo perkaitimo.
- Intuityviame ekrane galima pasirinkti norimas funkcijas, keisti raudonai rodomas skaitines vertes.
- Nuotolinis valdymas – naudojant „Saunum“ mobiliąją programėlę.

Įrenginius su įjungtu palaikymu programėlėje galima valdyti bei konfigūruoti ir mobiliuoju telefonu.

Nuotolinis krosnelės valdymas gali būti naudojamas tik tada, kai yra įrengtas apsauginis durų jutiklis (pagal gaminio standartą IEC/EN 60335-2-53, reglamentuojantį elektrines pirties krosneles).

Krosnelę įjungti nuotoliniu būdu galima tik uždarius duris. Jei grandinė atvira, krosnelė neįsijungs.

Baigęs įrengti valdymo įrenginį, montuotojas šią instrukciją turi duoti pirties savininkui. Gaminio savininkas visiems pirtimi besinaudojantiems arba ją eksploatuojantiems asmenims turi pateikti vadovą. Daugiau instrukcijų apie įrengimą, naudojimą ir perdirbimą skaitykite originaliame valdymo įrenginio naudotojo vadove. „Saunum“ pasilieka teisę retkarčiais keisti šį vadovą, o pakeitimai bus paskelbti svetainėje www.saunum.com. Jei nesilaikysite instrukcijų, galite susižaloti ar net žūti, gali kilti gaisras ir (arba) būti sugadintas turtas, o įrenginio garantija – panaikinta.



INDIKATORIAI



Pirties paruošimo pradžios laikas



Temperatūra



Pirties seanso trukmė



Ventiliatorius



Ventiliatoriaus greičiai



Šviesa



Krosnelės galia kW



Pirties patalpos tūris, m³



Ekranu užsklanda / užraktas nuo vaikų



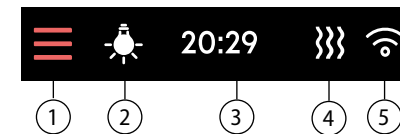
Vertės didinimas



Vertės mažinimas



Pereiti į kitą rodinį



1. Meniu
2. Šviesa
3. Laikas
4. Krosnelės būseną
5. „Wi-Fi“ ryšys

Menu



Pradžia

Nustatymai

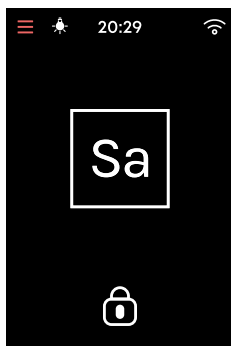
Control panel FWU

Power board FWU

Sa

KAITINIMAS

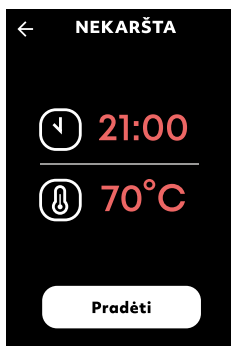
1. Norėdami pradėti, bakstelėkite ekraną.



Pirties paruošimo laiko nustatymas.

Pirties paruošimo laikas yra laikas, kai pirties garinės zonos temperatūra pasiekia pasirinktą temperatūros lygį (kaitinimas prasideda maždaug 1,5 valandos anksčiau).

2. Bakstelėkite mygtuką „Pradėti“, kad pradėtumėte kaitinti pirtį.

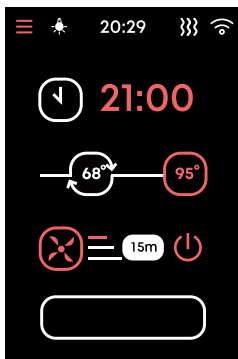


Pirčiai veikiant kaitinimo režimu, galima keisti pirties seanso trukmę ir temperatūrą bakstelėjus trukmės ir temperatūros valdikius bei pasirenkant norimus skaičius.

„SAUNUM“ NAUDOJIMAS PIRTIES KLIMATO FUNKCIJOS

ĮSPĖJIMAS! Ventilatoriaus funkcijos negalima naudoti kaitinant pirties garų zoną, nes tai gali pailginti kaitinimo laiką ir pirtis gali perkaisti.

Pirties garų zonos ventilatoriaus funkciją naudokite TIK naudodamiesi pirtimi. Kad apsaugotų pirtį nuo perkaitimo, ventilatorius gali įsijungti ir savarankiškai. Nenaudokite ventilatoriaus funkcijos be priežiūros.



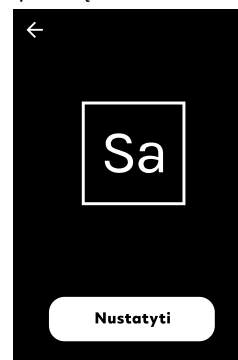
Sa

PIRTIES KONFIGŪRAVIMAS

„Saunum“ valdymo įrenginys LEIL yra nuolat tobulinamas, papildant jį naujomis funkcijomis. „Saunum“ praneša savo klientams apie visus programinės įrangos naujinius. Norint atsisiųsti naujinius, būtinas interneto ryšys. Jeigu jūsų įrenginys nėra visą laiką prijungtas prie „Wi-Fi“, reikia sukurti interneto prieigos tašką naudojantis mobiliuoju telefonu, kad įrenginio programinė įranga būtų reguliariai atnaujinama.

Pirmą kartą diegiant įrenginį būtina įjungti interneto prieigą ir atsisiųsti naujinius.

1. Parinktis „Nustatyti“ bus rodoma pirmą kartą paleidus. Norėdami pradėti sąrankos procesą, bakstelėkite „Nustatyti“.



2. Prisijungimas prie „Wi-Fi“.

Pasirinkite tinkamą „Wi-Fi“ tinklą bakste-

lėdami atitinkamo tinklo pavadinimą. Jei pirties valdymo pulto nereikia prijungti prie „Wi-Fi“ tinklo, bakstelėkite mygtuką „Praleisti“.

Valdymo pultą įrenkite vietoje, kurioje yra geras „Wi-Fi“ ryšys. Tinkamą „Wi-Fi“ ryšį galite užtikrinti savo telefonu:

- Telefone išjunkite mobiliuosius duomenis.
- Įjunkite telefono „Wi-Fi“.
- „Wi-Fi“ ryšys įrengimo vietoje yra tinkamai veikiantis, jei jūsų telefono „Wi-Fi“ ryšys yra geras, o programos, kurioms reikia duomenų perdavimo, veikia tinkamai.

Jei ryšys veikia netinkamai:

- Išbandykite kitą vietą.
- Jei įmanoma, pakeiskite „Wi-Fi“ maršruto parinktuvo vietą, kad ryšys su „Saunum“ „Wi-Fi“ valdymo pultu būtų geresnis.

Pastato konstrukcija, statybinės medžiagos, įleidžiamasis montavimas ir kitos problemos gali pabloginti „Wi-Fi“ ryšio kokybę.

Patarimas! Norint padidinti tinklo aprėptį, galima naudoti „Wi-Fi“ tinklo plėtiklį.

„Saunum“ „Wi-Fi“ valdymo pultas skirtas elektrinei pirties krosnei valdyti.

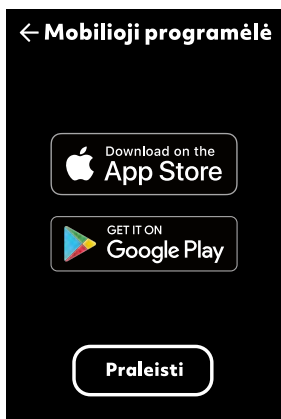
Sa

Valdymo pultu taip pat galima:

- Nustatyti ir stebėti pirties temperatūrą.
- Įjungti ir nustatyti „Saunum“ pirties ventiliatoriaus funkcijos greitį.
- Peržiūrėti krosnelės būsenos informaciją.
- Nustatyti suplanuotą paleidimą.

„Saunum“ mobilioji programėlė – tai mobilioji programėlė, leidžianti nuotoliniu būdu valdyti „Saunum“ valdymo pultą.

3. „Saunum“ programėlės atsisiuntimas.



Jei nėra būtinybės naudoti mobiliąją programėlę, bakstelėkite mygtuką „Praleisti“.

4. Atsisiųstos „Saunum“ programėlės atidarymas.



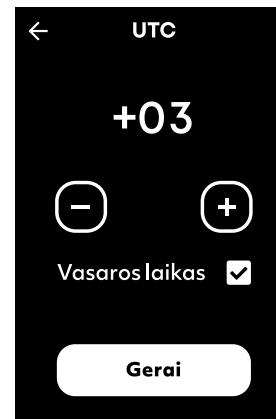
Nuskaitykite QR kodą, kuris atidaro „Saunum“ programėlę „Google Play“ arba „App Store“.

5. Prisijungdami prie „Saunum“ programėlės nuskaitykite valdymo pultu rodomą QR kodą.



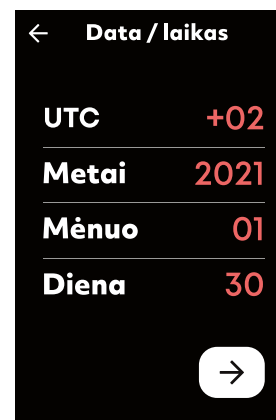
Sa

6. Laiko juostos nustatymas.

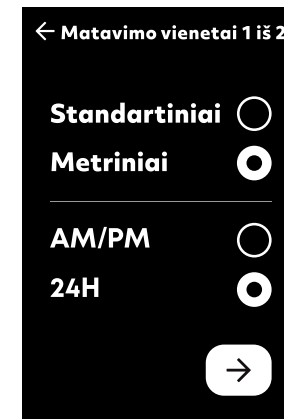


Vietos laiko juostos (UTC) konfigūracija reikalinga, jei pirties valdymo pultas anksčiau buvo prijungtas prie „Wi-Fi“ tinklo.

7. Datos ir laiko nustatymas.



8. Matavimo vienetų nustatymas (1 iš 2).



9. Temperatūros matavimo vienetų nustatymas (2 iš 2).

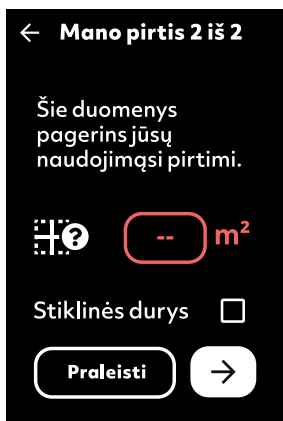


Sa

10. Pirties duomenų įvedimas (1 iš 2).



11. Pirties duomenų įvedimas (2 iš 2).



12. Slaptažodžių nustatymas (numatytasis prieigos slaptažodis – 2002).



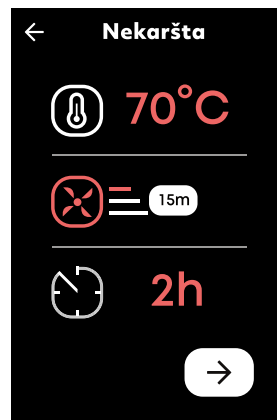
13. Pirties tipo sukūrimas (1 iš 4).



14. Pirties tipo sukūrimas (2 iš 4).

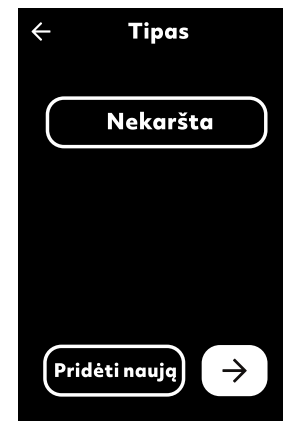


15. Pirties tipo sukūrimas (3 iš 4).



Sa

16. Pirties tipo sukūrimas (4 iš 4).



PIRTIES GRAFIKO SUDARYMAS

Atidarykite meniu.



„Saunum“ leidžia suplanuoti pirties lankymą nustatant savaitės grafiką.

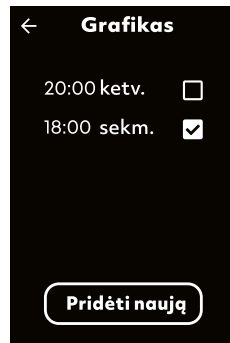
Norėdami tai padaryti, meniu bakstelėkite „Grafikas“.

Sa

Prieš suplanuotą pirties seansą visada įsitikinkite, kad krosnelė ir vieta aplink ją yra laisvi.

Atkreipkite dėmesį, kad suplanuotas pirties seansas neprasideda, jei tuo metu būna paliktos atviros durys.

1. Atidarykite grafiką.



2. Dienos nustatymas.

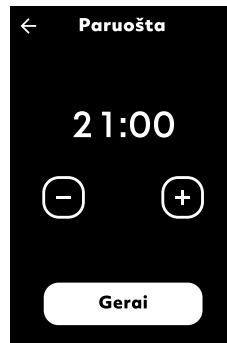


Prieš ateinant pasirinktam laikui pasirodys pranešimas, kad netrukus prasidės kaitinimo seansas.

Seansą galite atšaukti bakstelėdami „Atšaukti“.

Jei jo neatšausite, seansas prasidės ir, pasiekus pageidaujamą temperatūrą, vyks 30 minučių, o po to sustos, nebent seansas bus patvirtintas rankiniu būdu.

3. Laiko nustatymas.



4. Pirties tipo nustatymas.



Sa

Sa

TECHNINIAI DUOMENYS**VALDYMO PULTAS:**

- Temperatūros reguliavimo diapazonas – 40–100 °C.
- Iš anksto nustatomas savaitės grafikas.
- Galima nustatyti krosnelės veikimo laiką: privačioje pirtyje – iki 6 valandų, viešojoje pirtyje – iki 12 valandų.
- Dėl ilgesnės veikimo trukmės pasitarkite su importuotoju / gamintoju.
- Trijų greičių klimato įrenginio valdymas.
- Matmenys: 104 mm × 83 mm × 19,3 mm

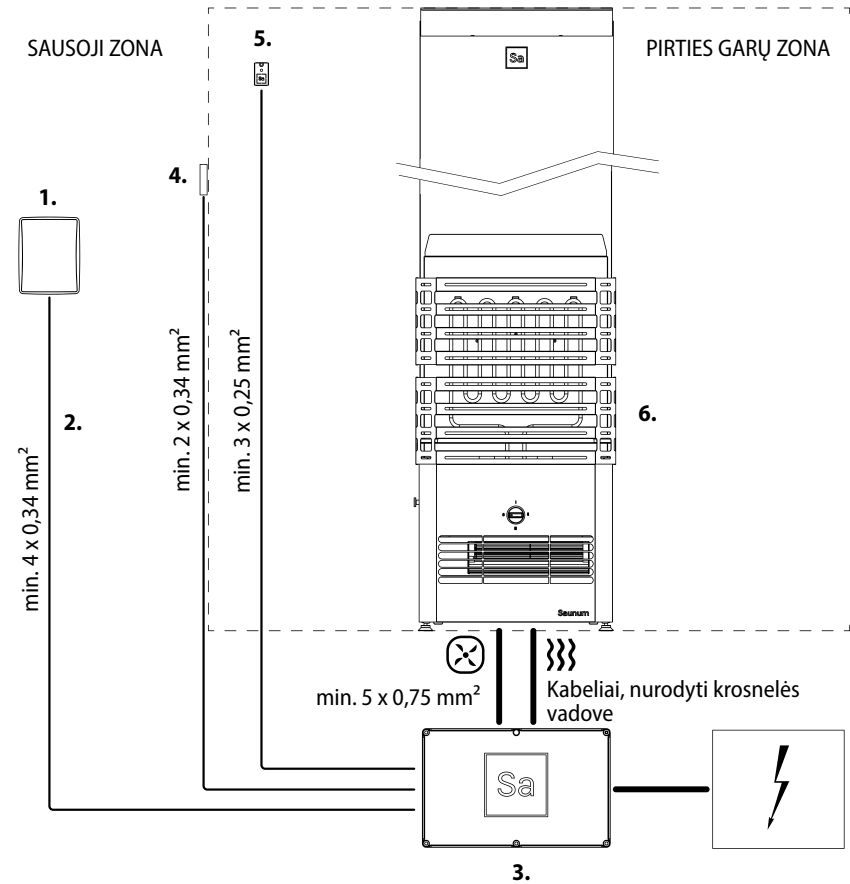
MAITINIMO BLOKAS:

- Maitinimo įtampa: 240 V 3 N~.
- Krosnelės vardinė galia – iki 9 kW/12 kW.
- Didesnės galios krosnelėms reikia atskiros „kontaktorių dėžutės“.
- Matmenys: 61 mm × 160 mm × 225 mm.
- Apsaugos įtaisas: durų jutiklis, saugiklis nuo perkaitimo.

Laikymo sąlygos: -30–80 °C.



Sa



1. VALDYMO PULTAS

2. DUOMENŲ PERDAVIMO KABELIS
(pateikiamas montuotojo)

3. MAITINIMO BLOKAS

4. DURŲ JUTIKLIS

5. TEMPERATŪROS JUTIKLIS

6. KROSNELĖ (parduodama atskirai)

Sa

ĮRENGIMO INSTRUKCIJOS

ĮSPĖJIMAS! Neįrengus gaminio pagal visas čia pateiktas instrukcijas, garantija netenka galios. Dėl to gali kilti gaisro ir (arba) elektros trumpojo jungimo pavojus, dėl kurio gali būti sugadintas turtas, galima susižaloti ar net žūti.

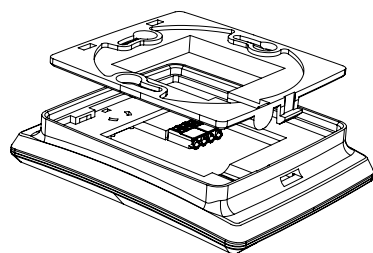
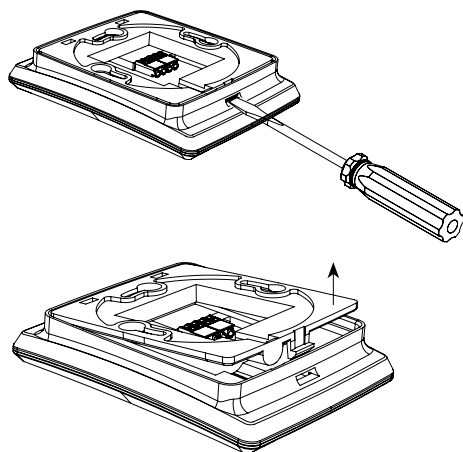
Licencijuotas profesionalus elektrikas valdymo įrenginį gali įrengti tik pagal galiojančius reglamentus. Už įrengimą atsakingas asmuo turėtų pasirūpinti reikiamu mokymu ir, baigęs įrengimą, grąžinti naudotojo vadovą gaminio savininkui. Gaminio savininkas naudojimo vadovą turi pateikti visiems pirtimi besinaudojantiems arba ją eksploatuojantiems asmenims.

ĮRENGIMAS VALDYO PULTAS

Norint, kad duomenų perdavimo kabelio nesimatytų, jį galima įrengti apsauginiame vamzdelyje sienoje; jei tai neįmanoma, jis turi būti montuojamas ant sienos.

Valdymo pultas turi būti montuojamas ant sienos, nuo vandens pusrų apsaugotoje vietoje.

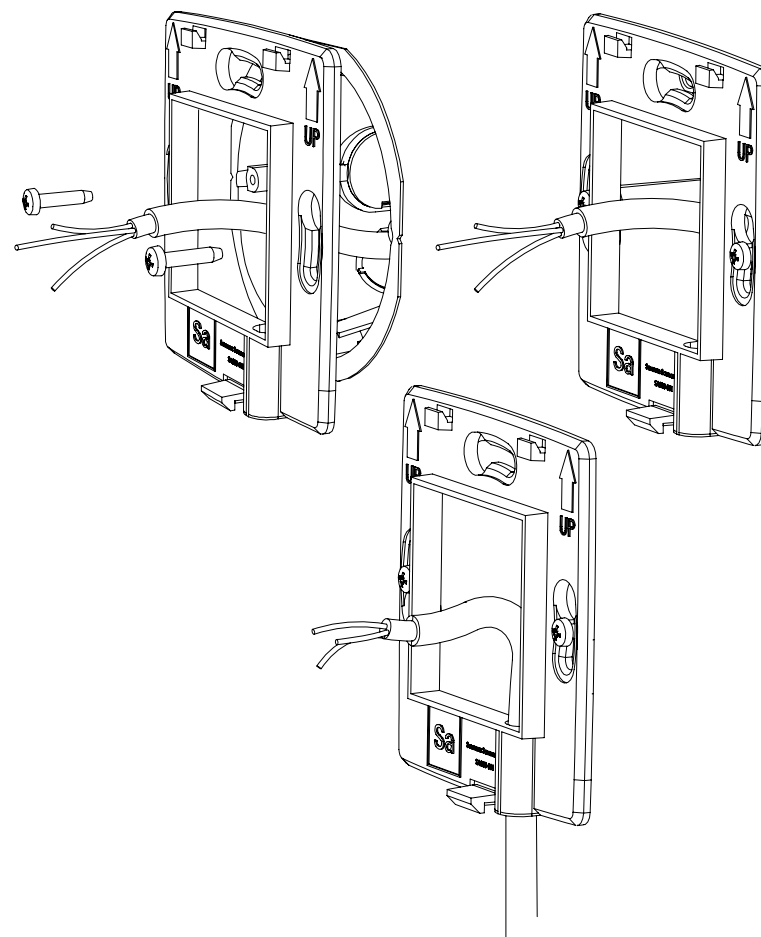
1. Nuo įrenginio nuimkite sieninį laikiklį.



Sa

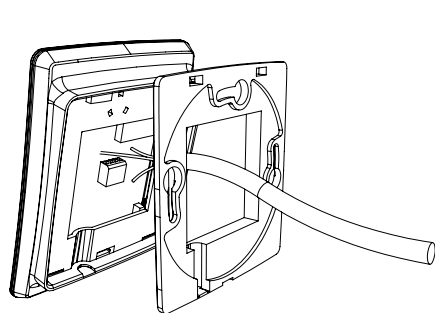
2. Per sieninio laikiklio angą perkiškite duomenų perdavimo kabelį.

3. Sieninį laikiklį varžtais pritvirtinkite prie sienos.

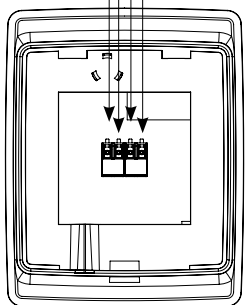


Sa

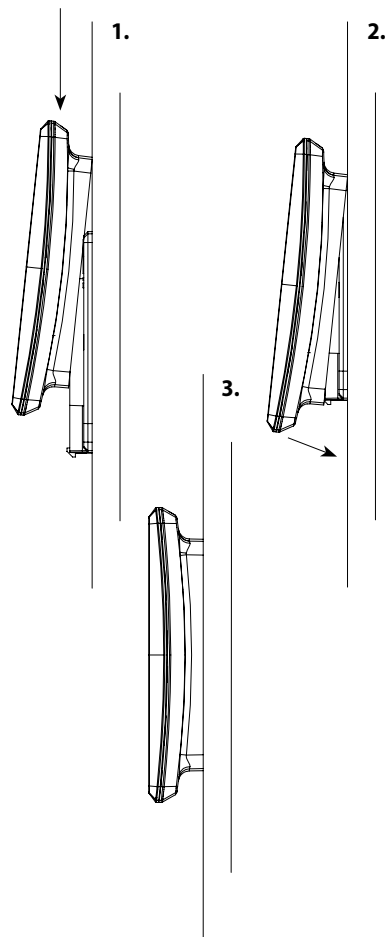
4. Prijunkite duomenų kabelį prie jungties.



5V D+ D- žem.

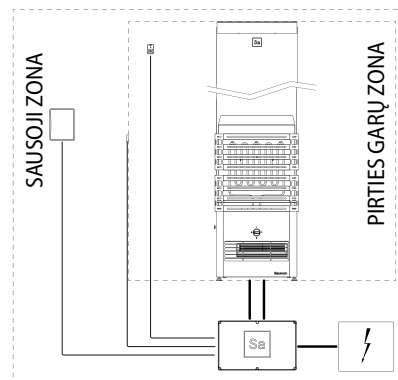


5. Valdymo pultą įspauskite į sieninį laikiklį.



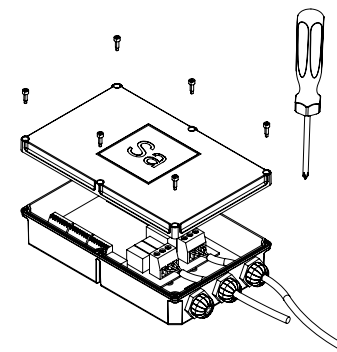
Sa

ĮRENGIMAS MAITINIMO BLOKAS

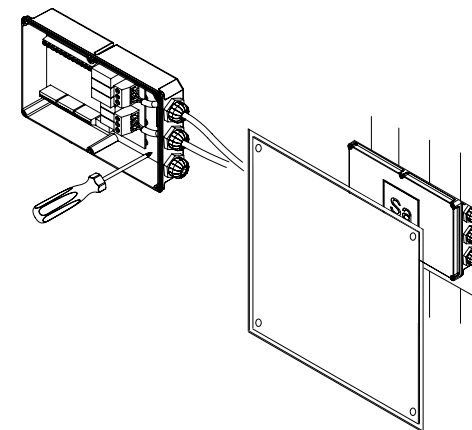


Įrengimo vieta turi būti sausa, jos temperatūra neturi viršyti 65 °C.

1. Atidarykite maitinimo bloko dangtį.



2. Išgręžkite skylutes korpuse ir pritvirtinkite maitinimo bloką prie sienos arba elektros skydo.



Sa

ELEKTROS JUNGTTYS

Maitinimo bloko prijungimas parodytas elektros jungčių schemoje.

Daugiau informacijos apie krosnelės prijungimą rasite krosnelės įrengimo ir naudojimo instrukcijose.

- Jei prijungimo ir instaliacijos kabeliai yra aukščiau nei 1000 mm atstumu nuo pirties grindų arba jos sienose, jie turi atlaikyti ne žemesnę kaip 170 °C temperatūrą (pvz., SSJ). Elektros įranga, sumontuota garinėje patalpoje žemiau nei 1000 mm atstumu nuo grindų, turi atlaikyti ne žemesnę kaip 125 °C temperatūrą (pvz., T125).

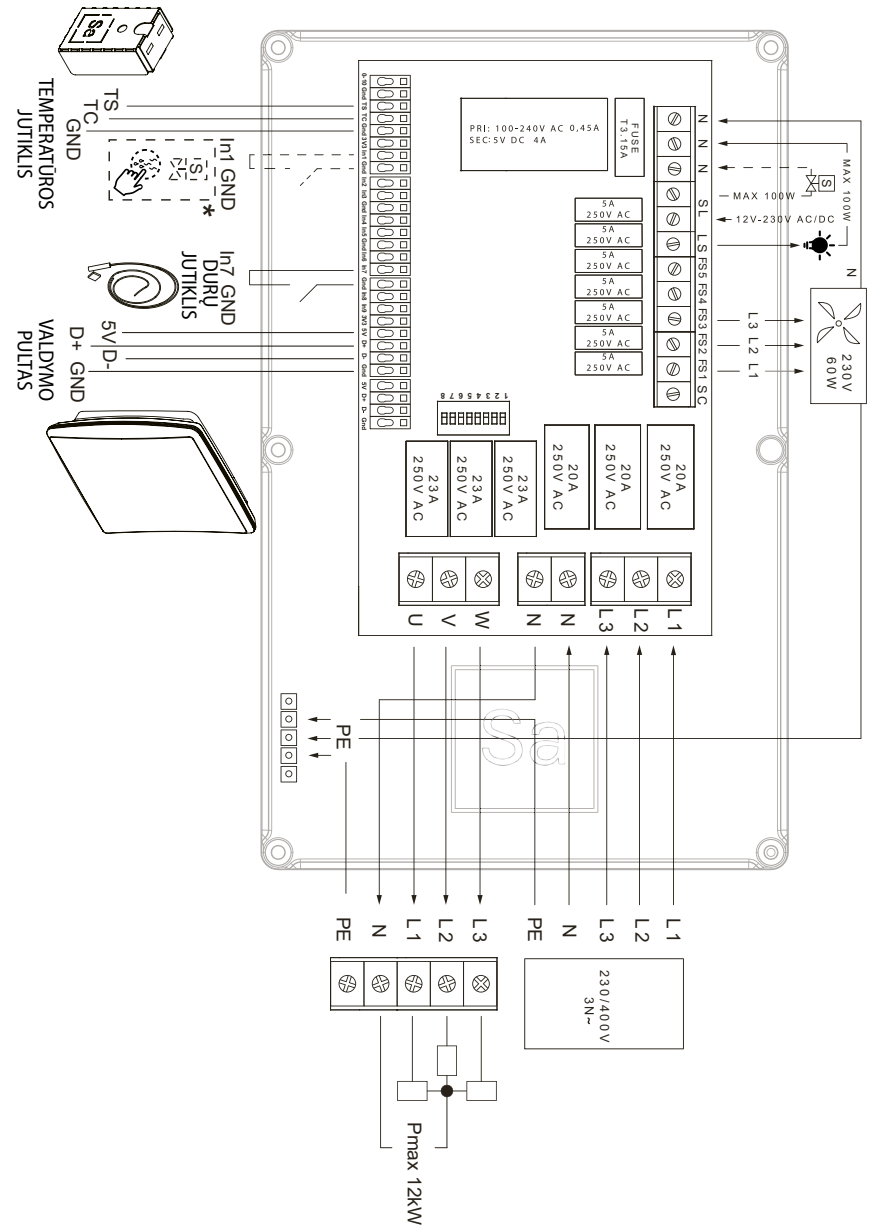
REKOMENDUOJAMI KABELIŲ SKERSMENYS

Temperatūros jutiklis – apsauga nuo karščio (silicis arba kita karščiui atspari medžiaga, galinti atlaikyti ne žemesnę kaip 140 °C temperatūrą): min. 3 x 0,25 mm²

Valdymo pultas (vytiesiems kabeliams reikalinga galinė mova su antgaliu): min. 4 x 0,34 mm²

Durų jutiklis: min. 2 x 0,34 mm²

Sa



Sa

ĮRENGIMAS
DURŲ JUTIKLIS

Durų jutiklis – tai magnetinis jungiklis, tvirtinamas prie pirties durų staktos.

Uždarius duris, uždaroma durų jutiklio grandinė ir įjungiamas pirties valdymas.

Atidarius pirties duris, grandinė nutrūksta, todėl krosnelės įjungti negalima.

Durų jutiklis susideda iš dviejų dalių: jutiklio ir magneto.

- Laido galus prijunkite prie jutiklio įvadų.
- Dvipuse lipniąja juosta prie durų pritvirtinkite magnetą. Jis turi leisti durims užsidaryti ir būti arti durų staktos.
- Prie durų staktos pritvirtinkite magnetinį jutiklį, jį ir magnetą sulygiuodami esant uždarytom durims. Maksimalus atstumas tarp durų jungiklio dalių turi būti 5 mm esant uždarytom durims.

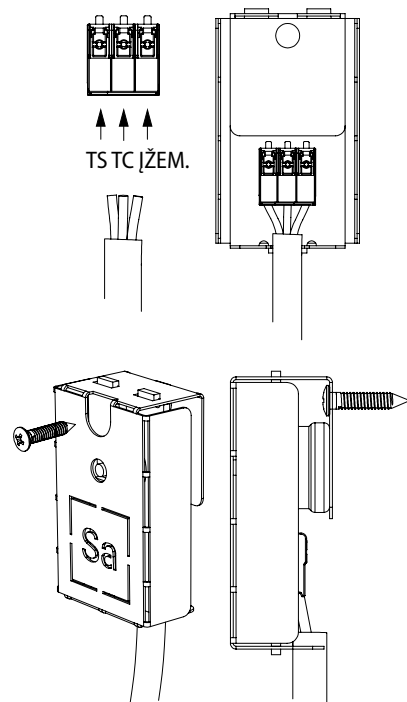
ĮRENGIMAS
TEMPERATŪROS
JUTIKLIS

Norėdami įrengti temperatūros jutiklį / apsaugą nuo perkaitimo, atlikite toliau nurodytus veiksmus.

- Prijunkite laidą prie temperatūros jutiklio gnybtų.

- Prisukite temperatūros jutiklį prie sienos (žr. pav.).
- Temperatūros jutiklio negalima įrengti virš krosnelės.
- Jis turi būti bent 200 mm atstumu nuo jos. Temperatūros jutiklis turi būti įrengtas 100 mm žemiau lubų.

Temperatūros jutiklis turi būti bent 500 mm atstumu nuo bet kurios oro angos (vėdinimo, durų ar lango).



Sa

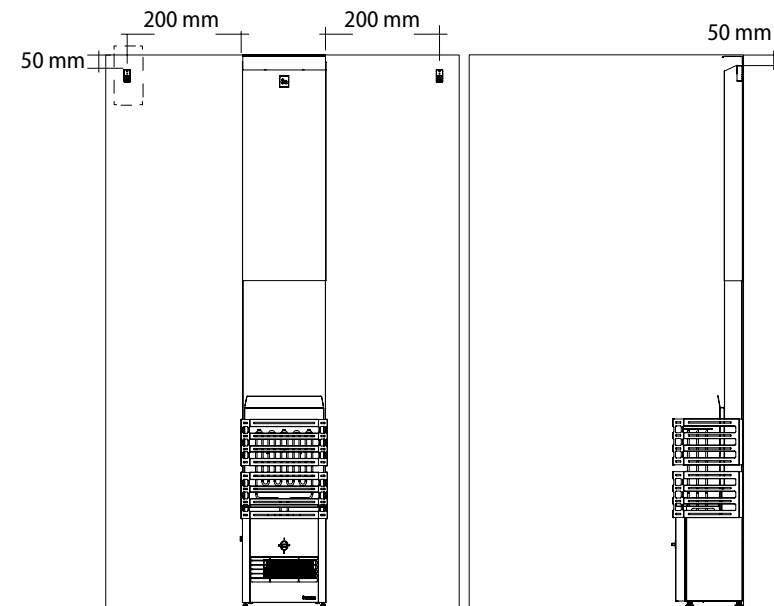
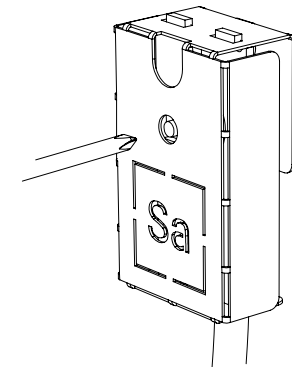
Oro srautas šalia oro išleidimo angos atvėsina jutiklį, todėl valdymo įrenginys pateikia netikslus temperatūros rodmenis.

Dėl to krosnelė gali perkaisti.

Perkaitimo saugiklio nustatymo iš naujo mygtukas.

- Jutiklio korpuse yra temperatūros jutiklis ir saugiklis nuo perkaitimo. Temperatūros jutiklis nustato temperatūrą, o saugiklis nuo perkaitimo avariniu atveju išjungia krosnelės maitinimą; saugiklis nuo perkaitimo gali būti nustatytas iš naujo.

Pastaba! Išjungimo priežastis turi būti išsiaiškinta prieš nustatant iš naujo.



Sa

GARANTIJA SĄLYGOS

- Garantija galioja tik tuo atveju, jei kartu su pretenzija pateikiamas užpildytas įrengimo protokolas.
- Įrenginį prie maitinimo tinklo gali prijungti tik licencijuotas, sertifikuotas elektrikas, besilaikantis visų teisės aktų ir reglamentų.
- Jei įrenginys naudojamas privačiojeirtyje, jam taikomas dvejų (2) metų garantinis laikotarpis.
- Jei įrenginys naudojamas viešojojeirtyje, jam taikomas vienerių (1) metų garantinis laikotarpis.

„Saunum“ garantijos galiojimas prasideda nuo pirkimo datos ir apima visas gamintojo pateiktas valdymo įrenginio dalis. Garantija taikoma tik gamybos ir medžiagų gedimams. Pagal šią garantiją „Saunum“ pirkėjui pateiks atsargines dalis, tačiau tik po to, kai sugedusios dalys bus grąžintos gamintojui ar platintojui. „Saunum“ pakeitus bet kurią valdymo įrenginio dalį pradinis garantijos laikotarpis nepratęsiamas.

Elektros įrenginį prie elektros tinklo gali prijungti tik licencijuotas, sertifikuotas elektrikas, besilaikantis visų teisės aktų ir reglamentų.

Garantija taikoma tik pirmą kartą įrengus gaminį ir tik pradiniam pirkėjui.

Garantija netaikoma:

- įprastai įrenginio priežiūrai ir valymui bei komponentų keitimui dėl įprasto nusidėvėjimo;
- rizikai, kylančiai dėl transportavimo;
- žalai, atsiradusiai dėl netinkamo įrenginio naudojimo;
- žalai, atsiradusiai dėl netinkamo įrenginio įrengimo;
- įrenginio pritaikymui ar modifikavimui bet kokiam kitam tikslui, nei nurodyta naudojimo instrukcijoje;
- įrenginio remonto darbams, kuriuos atliko ne „Saunum“ rekomenduojamas remonto ir priežiūros partneris;
- nelaimingų atsitikimų, žaibo, vandens, gaisro, netinkamos ventiliacijos ar bet kokio kito veiksnio, kurio „Saunum“ negali kontroliuoti, poveikiui.

„Saunum Saunas OÜ“ rekomenduojamų įrengimo ir priežiūros paslaugų teikėjų sąrašą rasite svetainėje www.saunum.com.

Sa

ĮRENGIMO PROTOKOLAS

„Saunum“ pirties valdymo įrenginys LEIL: _____

Įsigijimo data: _____

Pradinis pirkėjas: _____

Įrengimo vieta: _____

Įsigyta iš: _____

Elektros instaliacijos data: _____

Montuotojo parašas: _____

Pastabos: _____

Kliento kontaktiniai duomenys (vardas, pavardė, el. pašto adresas): _____

Priimti darbai: _____

Garantijos galiojimo pradžios data: _____

Atidžiai ir kruopščiai perskaitykite visą naudojimo instrukciją **prieš naudodami įrenginį** ir laikykite ją saugioje ir lengvai pasiekiamoje vietoje, kad galėtumėte pasinaudoti ateityje.



EB atitikties deklaracija

Gamintojas: „Saunum Saunas OÜ“

patvirtina, kad gaminys

„Saunum“ pirties valdymo įrenginys LEIL

atitinka toliau pateiktų Europos Parlamento ir Tarybos direktyvų reikalavimus, su sąlyga, kad jo įrengimas buvo atliktas pagal įrangos gamintojo išduotas įrengimo instrukcijas ir standartą: IEC/EN 60335-2-53

Žemosios įtampos direktyva 2014/35/ES

Direktyva dėl elektromagnetinio suderinamumo 2014/30/ES

LAT

LIETOŠANAS UN UZSTĀDĪŠANAS INSTRUKCIJAS

Sa

Saunum

Saunum saunas vadības iekārta **LEIL**

VISLABĀKĀ SAUNA, KĀDA VIEN VAR BŪT!

Man ir liels prieks par Jūsu izvēli ieguldīt Saunum ierīcē, un es uzskatu, ka mūsu inovatīvā tehnoloģija sagādās Jums īpašu un brīnišķīgu saunas baudījumu.

Esmu ieguvis grādu siltuma inženierijā un uzaudzis Dienvidgaunijā, kur arī aizsākās mana aizraušanās ar saunu. Igaunijas vēsturisko dūmu saunu īpašā iezīme ir zemāka temperatūra un augstāks mitruma līmenis nekā, piemēram, klasiskajā somu saunā. Parastā saunā saunas sildītāja akmens tilpums parasti ir neliels. Šādi ierīkotā saunā var rasties pēkšņas dedzinoši karsta tvaika šaltis un ārkārtīgi nevienmērīga temperatūra, galvai un kaklam atrodies milzu karstumā, kamēr pēdas joprojām salst. Tas var būt visai nepatīkami, kā arī radīt galvassāpes un stresu ķermenim. Savukārt senajās dūmu saunās un Amerikas pirmiedzīvotāju saunās akmeņi tika iepriekš uzkaršēti dienas gaitā. Pēc tam akmeņos uzkrātais siltums tika izmantots ķermeņa attīrīšanai un patiesi baudāmam saunas rituālam.

Dūmu saunas iedvesmots, es vēlējos radīt inovatīvu risinājumu, kas apvienotu labākās autentiskas saunas un moderno tehnoloģiju īpašības, radot patīkami maigu un relaksējošu saunas baudījumu bez sāpīgi dedzinoša tvaika. Taču, lai to panāktu, man bija jānoskaidro, kā nodrošināt vienmērīgu temperatūru gan galvas, gan pēdu augstumā. Manā izstrādes darbā talkā nāca kopā ar Tallinas Tehnoloģiju universitāti veiktie pētījumi, kuros analizējām termisko noslāņošanos un gaisa kustību saunas telpā. Saunum dzima, apvienojot zinātnisku domāšanu un tehnoloģiskas inovācijas.



Saunum unikālā, patentētā gaisa slāņu jaukšanas sistēma savāc karsto tvaiku, kas uzkrājas tieši zem saunas telpas griestiem, sajauc to ar vēsāko gaisu grīdas tuvumā un šādi iegūto vēsāko tvaiku vienmērīgi sadala telpā. Tas nodrošina baudāmu, nepārmērīgu karstumu. Tā varat uzkavēties saunā ilgāk, baudot nosvišanu un dziļu ādas attīrīšanu bez paguruma. Mūsu sildītāju akmens tilpums ir būtiski lielāks nekā citiem saunas sildītājiem – tā tiek panākts īpaši patīkamais telpas mikroklimats ar ilgstošu, maigu tvaiku.

Mitra tvaika sauna, "Sanarium" tipa sauna, ārstnieciska sāls sauna vai veselīga aromātiskā sauna – Saunum ierīcēs patiesi relaksējošam saunas baudījumam pieejamas visas šīs funkcijas. Ievietojot mūsu ierīcē Himalaju sāls lodītes, tiek iztvaicēti ādai un elpceļiem veselīgie sāls joni, un tvaiks tos izplata gaisā. Pievienojot saunas aromāta sistēmu, kas sajauc tvaiku un veselīgu aromātisko eļļu, iegūstams vēl augstāks saunas baudījums.

Saunum saunas ierīces ir piemērotas gan pieaugušajiem, gan bērniem.

Vieglu garu!

Andrus Vare
Saunum radītājs

Saunum **Jūs apsveic**
ar inovatīvas saunas
vadības iekārtas izvēli!

SATURS

Brīdinājumi un piezīmes _____	138
NORĀDĪJUMI LIETOŠANAI	
Sildītāja un saunas lietošanas instrukcijas _____	140
Vadības iekārta _____	141
Indikatori _____	143
Sildišana _____	144
Kā lietot Saunum saunas klimata funkciju _____	144
Saunas konfigurēšana _____	145
Saunas iepļānošana _____	149
Tehniskie dati _____	153
UZSTĀDĪŠANAS INSTRUKCIJAS	
Vadības paneļa uzstādīšana _____	154
Barošanas bloka uzstādīšana _____	157
Elektriskie savienojumi _____	158
Durvju sensora uzstādīšana _____	160
Temperatūras sensora uzstādīšana _____	160
Garantijas nosacījumi _____	162
Uzstādīšanas protokols _____	163

Sa



Visiem šī produkta lietotājiem rūpīgi jāizlasa brīdinājumi un rokasgrāmata pirms produkta lietošanas! Instrukciju neievērošana var izraisīt traumas, nāvi, ugunsgrēku un/vai materiālus zaudējumus, kā arī ierīces garantijas anulēšanu.

Vadības panelis ir paredzēts saunas sildītāja un vadības iekārtai paredzēto funkciju kontrolēšanai.

To nedrīkst lietot citos nolūkos!

Šo ierīci nav ieteicams lietot bērniem, cilvēkiem ar kustību traucējumiem vai slimiem cilvēkiem. Bērni ierīci drīkst izmantot tikai rūpīgā un pastāvīgā pieaugušo uzraudzībā.

Cilvēki ar fiziska vai garīga rakstura vai maņu traucējumiem un cilvēki bez atbilstošas

pieredzes un zināšanām šo ierīci drīkst lietot tikai rūpīgā un patstāvīgā pieaugušo uzraudzībā un tikai pēc apspriešanās ar ārstu.

Pirms saunas lietošanas visiem tās lietotājiem jāapspriežas ar ārstu, lai pārlicinātos, vai viņiem nav veselības traucējumu, kas saunas lietošanu padarītu nedrošu. Tāpat ar ārstu jāapspriež laika un temperatūras ierobežojumi. Grūtniecēm pirms saunas lietošanas jāapspriežas ar ārstu. Pārmērīgi augsta ķermeņa temperatūra grūtniecības sākumā var kaitēt auglim.

Narkotisko vielu, zāļu un alkohola lietošana pirms saunas procedūras vai tās laikā var izraisīt reiboni vai bezsamaņu, kas savukārt var izraisīt traumas vai nāvi. Šo produktu nedrīkst lietot alkohola vai narkotisko vielu ietekmē. Cilvēkiem, kas lieto zāles, jāapspriežas ar ārstu, lai noskaidrotu, vai zāļu lietošanas laikā ir droši izmantot saunu. Sēžot vai guļot telpā saunas lietotājiem starp ādu un saunas solu vai sienu ieteicams novietot dvieli. Izmantojot saunu, apzinieties ar to saistīto bīstamību. Neuzkavējieties saunas telpā ilgāk nekā 30 minūtes no vietas.

Ilgstoša tvaika ietekme var būt kaitīga vai letāla. Lietotājiem jāpārtrauc saunas lietošana, sajūtot apreibumu, reiboni vai karstuma dūriena pazīmes. Uzsildītā saunā ir aizliegts gulēt. Lietotājiem jādara viss iespējama, lai saunā neaizmigtu.

Elektrisko ierīci pieslēgt elektrotīklam drīkst tikai licencēts un sertificēts profesionāls elektriķis saskaņā ar visiem

Sa

spēkā esošajiem tiesību aktiem un noteikumiem.

Pēc vadības iekārtas pieslēgšanas un uzstādīšanas uzstādītājam jāinformē saunas īpašnieks vai lietotājs par visiem lietošanas nosacījumiem.

Īpašniekam vai lietotājam šie lietošanas nosacījumi jānodod citām personām, kas saunu lieto.

Visi apkopes darbi, izņemot regulāru produkta virsmas tīrīšanu, jāveic apmācītam profesionālim.

Pirms apkopes darbu veikšanas vienmēr atvienojiet ierīci no elektrotīkla!

- Pirms uzstādīšanas un lietošanas pārbaudiet, vai vadības iekārtai nav redzamu bojājumu. Neizmantojiet ierīci, kas ir bojāta vai jebkādā veidā mainīta neatbilstoši ražotāja sākotnēji noteiktajam stāvoklim.
- Ierīce jāuzstāda atbilstoši uzstādīšanas un lietošanas instrukcijām. Visu instrukciju rūpīga neievērošana var radīt ugunsgrēka vai īssavienojuma risku, kas var izraisīt materiālus zaudējumus, traumas vai nāvi.
- Šajā ierīcē nedrīkst uzstādīt ražotāja neapstiprinātus piederumus. Ja ierīcē tiek uzstādīti atbilstoši piederumi, ievērojiet attiecīgo

piederumu lietošanas un uzstādīšanas instrukcijas!

- Ja barošanas vads ir bojāts, tas jānomaina ražotāja servisa partnerim vai līdzīgi kvalificētam, licencētam un sertificētam profesionālam elektriķim, citādi var rasties bīstamība.
- Triet vadības paneli ar viegli samitrinātu drānu. Lietojiet tikai saudzīgus tīrīšanas līdzekļus un nekad nelietojiet šķīdinātājus vai kodīgas ķīmiskas vielas. Pirms lietošanas ļaujiet produktam kārtīgi nožūt.
- Šo produktu nedrīkst utilizēt kā parastus sadzīves atkritumus. Lai pārstrādātu produktu, nogādājiet to vietējā savākšanas punktā vai sazinieties ar iegādes vietu.

Sa

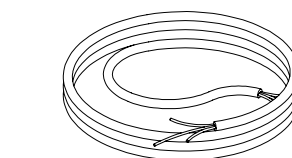
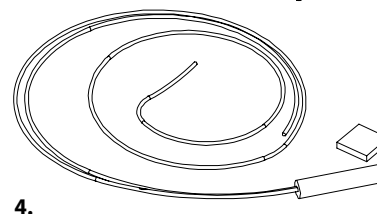
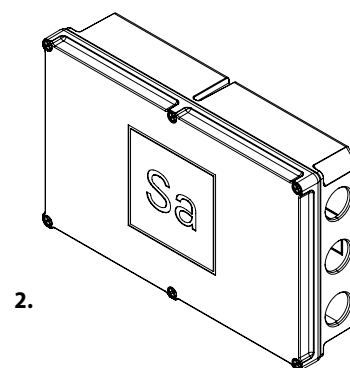
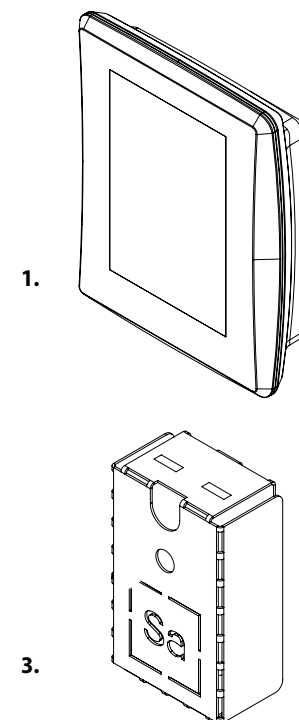
SILDĪTĀJA UN SAUNAS LIETOŠANAS INSTRUKCIJAS

- Pirms sildīšanas vienmēr pārbaudiet, vai uz sildītāja vai tā drošības distancēs tuvumā, kā aprakstīts sildītāja ražotāja rokasgrāmatā, neatrodas priekšmeti.
- Pēc sildītāja darbības beigām vienmēr pārbaudiet, vai tas ir izslēdzies un pārtraucis sildīšanu.
- Publiskās saunās, kur sildītājs pastāvīgi tiek lietots ilgāk, nekā paredzēts sildītāja taimera vai vadības iekārtas rūpnīcas iestatījumos, ierīci drīkst lietot tikai pastāvīgā tāda pieauguša cilvēka uzraudzībā, kurš, veicot uzraudzību, nelieto saunu.
- Pārslēdzot vadības iekārtu gaidstāves režīmā tālvadībai vai pārslēgšanai, iepriekš jāpārliedzina, vai saunas telpā vai uz sildītāja neatrodas priekšmeti, kas neatbilst sildītāja ražotāja instrukcijās noteiktajai drošības distancēi.
- Saskaņā ar produktu standartu IEC/EN 60335-2-53, kurā noteikts regulējums elektriskajiem saunas sildītājiem, vadības iekārtu sildītāja tālvadībai var izmantot tikai pēc sildītāja vai saunas telpas durvju aprikošanas ar drošības slēdzi (durvju sensoru).
- Ilgstoša saunas lietošana var kaitēt jūsu veselībai vai izraisīt nāvi.
- Neuzkavējieties saunas telpā ilgāk nekā 30 minūtes bez pārtraukuma (nepametot telpu).
- Pametiet saunas telpu, ja sajūtat miegainību, reiboni vai vājumu.
- Nežāvējiet saunā priekšmetus un dzīvas būtnes.

Sa

VADĪBAS IEKĀRTA

Saunum saunas vadības iekārta LEIL sastāv no **vadības paneļa** (1), **barošanas bloka** (2), **temperatūras sensora** (3), **durvju sensora** (4) un **temperatūras sensora vada** (5).



Ar vadības iekārtu var veikt iepriekšēju temperatūras un sildītāja darbības sākuma laika iestatīšanu un pārslēgt Saunum saunas klimata ierīces (turpmāk tekstā "klimata ierīce") ātrumu.

Temperatūra saunas telpā tiek regulēta, pamatojoties uz sensoru sniegto informāciju.

Temperatūras sensors un pretpārkaršanas aizsargierīce atrodas sensora korpusā.

Sa

SILDĪTĀJA LIETOŠANA**KOPĀ AR VADĪBAS IEKĀRTU**

Sildelementi automātiski izslēgsies, temperatūrai saunas telpā sasniedzot vadības panelī iestatīto temperatūru.

Vadības iekārta automātiski ieslēgs un izslēgs sildelementus, lai uzturētu vēlamo temperatūru.

Sildītājs izslēgsies iestatītā laika beigās, pēc pogas "Apturēt" nospiešanas, kā arī kļūdas gadījumā.

VADĪBAS IEKĀRTA

- Kontrolē temperatūru saunā un klimata ierīces ātrumu.
- Trīs iepriekš iestatīti saunas veidi, kuros lietotājs var veikt izmaiņas.
- Iespējams izvēlēties laiku, kurā saunai jābūt gatavai lietošanai (sildīšana sākas apm. 1,5 stundas iepriekš).
- Paziņojums par saunas gatavību – paziņojums ekrānā. Pieejams Saunum App un mobilajā lietotnē.
- Valodas.
- Skārienekrāns.
- Bērnudrošā ekrāna bloķēšana.
- Aizsardzība pret pārkaršanu.

- Nepieciešamajām funkcijām var piekļūt intuitīvajā ekrānā. Sarkanā krāsā attēlotās vērtības var mainīt.
- Tālvadība ar Saunum mobilo lietotni.

Ierīces ar lietotnes atbalstu iespējams vadīt un konfigurēt ar mobilā tālruņa starpniecību.

Sildītāja tālvadības funkciju iespējams izmantot tikai pēc drošības durvju sensora uzstādīšanas (saskaņā ar produktu standartu IEC/EN 60335-2-53, kurā noteikts regulējums elektriskajiem saunas sildītājiem).

Attālināti ieslēgt sildītāju var tikai tad, ja durvis ir aizvērtas. Ja ķēde nebūs noslēgta, sildītājs neieslēgsies.

Pēc vadības iekārtas uzstādīšanas uzstādītājam šī rokasgrāmata jānodod saunas īpašniekam. Produkta īpašniekam rokasgrāmata jāizsūnīd visām personām, kas saunu lieto vai darbina. Lūdzu, lasiet plašākas instrukcijas par uzstādīšanu, lietošanu un pārstrādi vadības iekārtas oriģinālajā lietotāja rokasgrāmatā. Saunum patur tiesības laiku pa laikam veikt izmaiņas šajā rokasgrāmatā. Šādas izmaiņas tiks publicētas vietnē www.saunum.com. Instrukciju neievērošana var izraisīt traumas, nāvi, ugunsgrēku un/vai materiālus zaudējumus, kā arī ierīces garantijas anulēšanu.

Sa

INDIKATORI

"Saunas gatavības" sākuma laiks



Temperatūra



Saunas ilgums



Klimata ierīce



Klimata ierīces ātrumi



Gaisma



Sildītāja jauda, kW



Saunas telpas tilpums, m³



Bērnudrošā ekrāna bloķēšana



Vērtības palielināšana



Vērtības samazināšana



Pāriet uz nākamo skatu



1. Izvēlne
2. Gaisma
3. Laiks
4. Sildītāja stāvoklis
5. Wi-Fi savienojums

Izvēlne

🏠 Sākums

⚙️ Lestatījumi

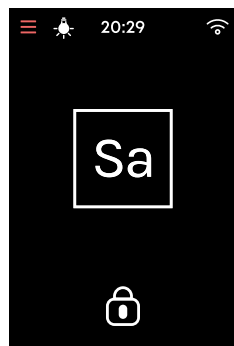
Control panel FWU

Power board FWU

Sa

SILDĪŠANA

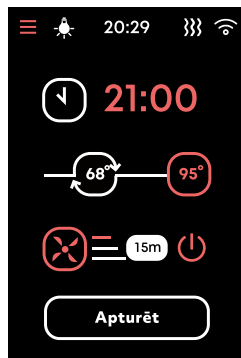
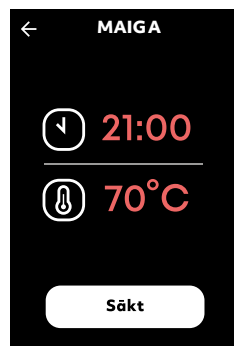
1. Pieskarieties ekrānam, lai sāktu.



Saunas gatavības laika iestatīšana.

“Saunas gatavības” laiks ir laiks, kad saunas tvaika zonas temperatūrai jāsasniedz izvēlētais temperatūras līmenis (sildīšana sākas aptuveni 1,5 stundas agrāk).

2. Pieskarieties pogai “Sākt”, lai sāktu saunas sildīšanu.



Kamēr sauna ir sildīšanas režīmā, ir iespējams mainīt saunas darbības ilgumu un temperatūru, pieskaroties ilguma un temperatūras vadīklām un izvēloties nepieciešamās vērtības.

KĀ LIETOT SAUNUM SAUNAS KLIMATA FUNKCIJU

BRĪDINĀJUMS! Klimata funkciju nav ieteicams lietot saunas tvaika zonas sildīšanas laikā, jo tas var pāldzināt sildīšanu un izraisīt pārkaršanu.

Izmantojiet saunas tvaika zonas klimata ierīces funkciju TIKAI saunas lietošanas laikā. Lai pasargātu saunu no pārkaršanas, klimata ierīce var ieslēgties arī patstāvīgi. Neizmantojiet klimata funkciju bez uzraudzības.

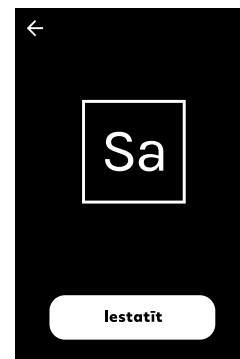
Sa

SAUNAS KONFIGURĒŠANA

Saunum vadības iekārta LEIL pastāvīgi tiek papildināta ar jaunām funkcijām, kas nodrošina tās īpašniekam ērtāku lietošanu. Saunum savus klientus informē par visiem programmatūras atjauninājumiem. Atjauninājumu lejupielādei nepieciešams savienojums ar internetu. Lai nodrošinātu ierīces programmatūras atjaunināšanu, ja ierīce nav pastāvīgi pieslēgta Wi-Fi tīklam, jāizveido interneta piekļuves punkts ar mobilo tālruni.

Ierīces pirmreizējās uzstādīšanas laikā neaizmirstiet iespējot piekļuvi internetam un lejupielādēt atjauninājumus.

1. Pirmajā ieslēgšanas reizē būs redzama opcija “Iestatīt”. Pieskarieties pogai “Iestatīt”, lai sāktu iestatīšanas procesu.



2. Savienojuma ar Wi-Fi izveide.

Izvēlieties atbilstošu Wi-Fi tīklu, pieskaroties tā nosaukumam. Ja saunas vadības paneļa savienošana ar Wi-Fi tīklu nav nepieciešama, pieskarieties pogai “Izlaist”.

Uzstādiet vadības paneli vietā, kur pieejams stabils Wi-Fi pārklājums. Pārbaudīt Wi-Fi savienojuma kvalitāti varat ar savu tālruni:

- Atspējojiet tālruni mobilos datus.
- Ieslēdziet tālruna Wi-Fi funkciju.
- Wi-Fi pārklājums uzstādīšanas vietā ir pietiekams, ja Wi-Fi savienojums tālrunī ir gana labs un lietotnes, kam nepieciešama datu pārsūtīšana, darbojas pienācīgi.

Ja pārklājums nav pietiekams:

- Izvēlieties citu uzstādīšanas vietu.
- Ja iespējams, pārvietojiet Wi-Fi maršrutētāju, lai uzlabotu savienojumu ar Saunum Wi-Fi vadības paneli.

Wi-Fi savienojuma kvalitāti var pazemināt ēkas konstrukcija, būvniecībā izmantotie materiāli, zemapmetuma kārbas un citi apstākļi.

Padoms! Tīkla darbības zonas paplašināšanai var izmantot Wi-Fi tīkla paplašinātāju.

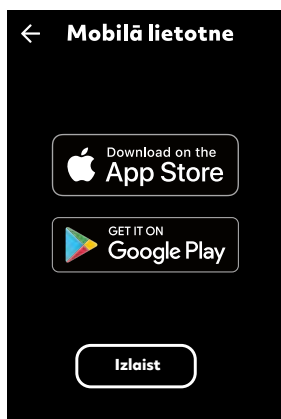
Saunum Wi-Fi vadības panelis ir paredzēts elektriskā saunas sildītāja vadībai.

Sa

Ar vadības paneli arī ir iespējams:

- Iestatīt un uzraudzīt temperatūru saunā.
- Ieslēgt un noteikt ātrumu Saunum saunas klimata funkcijai.
- Skatīt sildītāja statusa informāciju.
- Iestatīt iepilnoto palaišanu.

Saunum Mobile App ir mobilā lietotne, kas nodrošina iespēju attālināti kontrolēt Saunum vadības paneli.

3. Saunum lietotnes lejupielāde.

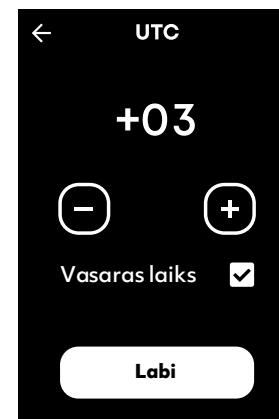
Ja lieto mobilo lietotni nav nepieciešams, pieskarieties pogai "Izlaist".

4. Saunum lietotnes lejupielādes atvēršana.

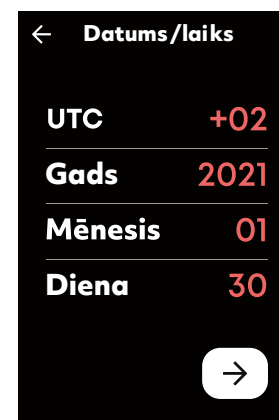
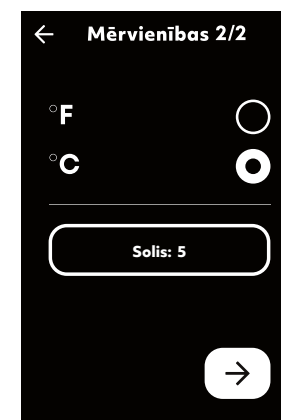
Skenējiet QR kodu, ar kuru atver Saunum lietotni Google Play vai App Store veikalā.

5. Lai izveidotu savienojumu ar Saunum lietotni, skenējiet vadības panelī redzamo QR kodu.

Sa

6. Laika joslas iestatīšana.

Vietējās laika joslas (UTC) konfigurēšana jāveic, ja saunas vadības panelis iepriekš ir bijis savienots ar Wi-Fi tīklu.

7. Laika un datuma iestatīšana.**8. Mērvienību iestatīšana (1/2).****9. Temperatūras mērvienības iestatīšana (2/2).**

Sa

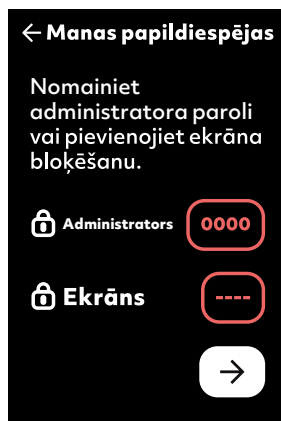
10. Saunas datu ievade (1/2).



11. Saunas datu ievade (2/2).



12. Paroļu izveide (pēc noklusējuma piekļuves parole ir 2002).



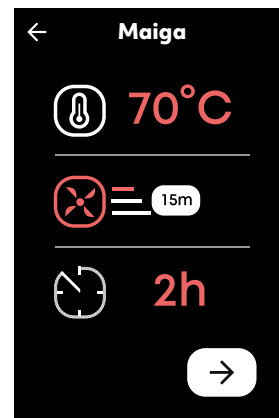
13. Saunas veida izveide (1/4).



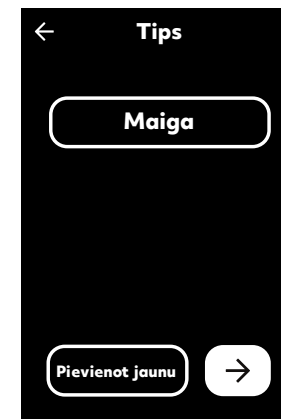
14. Saunas veida izveide (2/4).



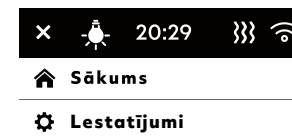
15. Saunas veida izveide (3/4).



16. Saunas veida izveide (4/4).

SAUNAS
IEPLĀNOŠANA

Atveriet izvēlni.



Saunum nodrošina iespēju ieplānot saunu jau iepriekš, izveidojot nedēļas grafiku.

Lai to paveiktu, izvēlnē pieskarieties iespējai "Grafiks".

Sa

Sa

Vienmēr gādājiet, lai uz sildītāja un tā tuvumā pirms iepļānotas saunas sesijas neatrastos priekšmeti.

Ņemiet vērā, ka plānotā saunas sesija nesāksies, ja durvis attiecīgajā brīdī būs atvērtas.

1. Grafika atvēršana.



2. Dienas iestatīšana.

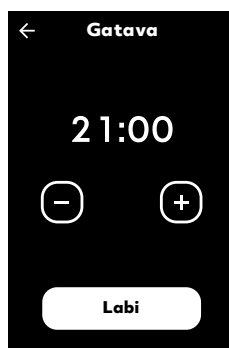


Pirms izvēlēta laika parādīsies paziņojums ar norādi, ka drīz sāksies sildīšana.

Jūs varat sildīšanu atcelt, pieskaroties pogai "Atcelt".

Ja to neatcelsiet, sildīšana sāksies, un saunas darbība turpināsies vēl 30 minūtes pēc vēlāmās temperatūras sasniegšanas. Pēc tam sauna tiks apturēta, ja manuāli neapstiprināsiet sesiju.

3. Laika iestatīšana.



4. Saunas veida iestatīšana.



Sa

Sa

TEHNISKIE DATI**VADĪBAS PANELIS:**

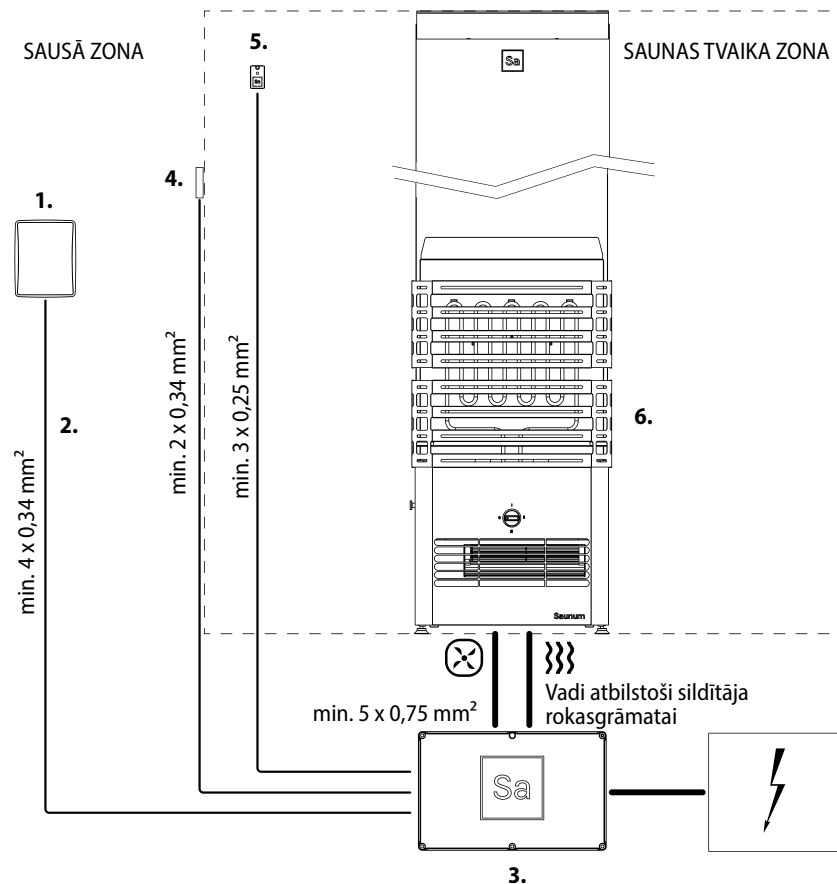
- Temperatūras regulēšanas diapazons 40–100 °C.
- Iepriekšēja grafika iestatīšana nedēļai.
- Iespēja iestatīt sildītāja darbības ilgumu: līdz 6 stundām privātā saunā, līdz 12 stundām publiskā saunā.
- Lai iestatītu ilgāku laiku, sazinieties ar importētāju/ražotāju.
- Klimata ierīces trīs ātruma režīmu vadība.
- Izmēri: 104 mm × 83 mm × 19,3 mm

**BAROŠANAS BLOKS:**

- Barošanas spriegums: 240V 3N~.
- Sildītāja nominālā jauda līdz 9 kW/12 kW.
- Sildītājiem ar lielāku jaudu nepieciešama atsevišķa "kontaktoru kārba".
- Izmēri: 61 mm × 160 mm × 225 mm.
- Drošības ierīce: durvju sensors, pretpārkaršanas aizsargierīce.

Uzglabāšanas apstākļi: -30–80 °C.

Sa



1. VADĪBAS PANELIS

2. DATU KABELIS (nodrošina uzstādītājs)

3. BAROŠANAS BLOKS

4. DURVJU SENSORS

5. TEMPERATŪRAS SENSORS

6. SILDĪTĀJS (jāiegādājas atsevišķi)

Sa

UZSTĀDĪŠANAS INSTRUKCIJAS

BRĪDINĀJUMS! Neuzstādot produktu atbilstoši visām šeit sniegtajām instrukcijām, garantija tiks anulēta. Nepareiza uzstādīšana var izraisīt ugunsgrēku un/vai elektrisku īssavienojumu, kas savukārt var izraisīt materiālus zaudējumus, traumas vai nāvi.

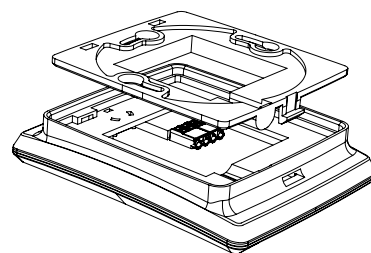
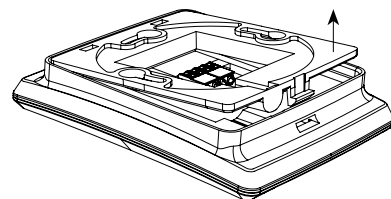
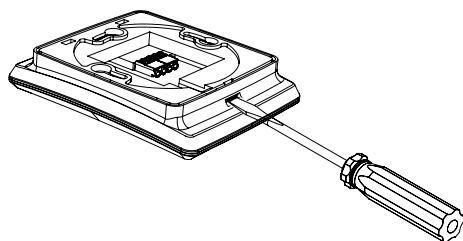
Vadības iekārtu uzstādīt drīkst tikai licencēts profesionāls elektriķis saskaņā ar spēkā esošajiem noteikumiem. Par uzstādīšanu atbildīgajai personai jāsniedz nepieciešamā apmācība un pēc uzstādīšanas pabeigšanas produkta lietotāja rokasgrāmata jāatgriež īpašniekam. Produkta īpašniekam jānodrošina piekļuvi rokasgrāmatai visām personām, kas produktu lieto vai darbina.

VADĪBAS PANEĻA UZSTĀDĪŠANA

Lai veiktu slēpto uzstādīšanu, datu kabeli var uzstādīt sienā iebūvētā aizsargapvalkā; ja tas nav iespējams, kabelis jāpiestiprina pie sienas.

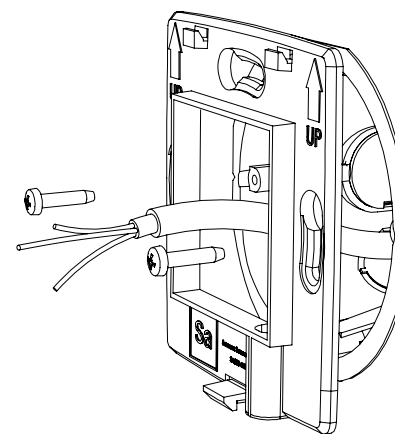
Vadības panelis jāuzstāda uz sienas no ūdens šļakatām drošā vietā.

1. Noņemiet sienas kronšteinu no ierīces.

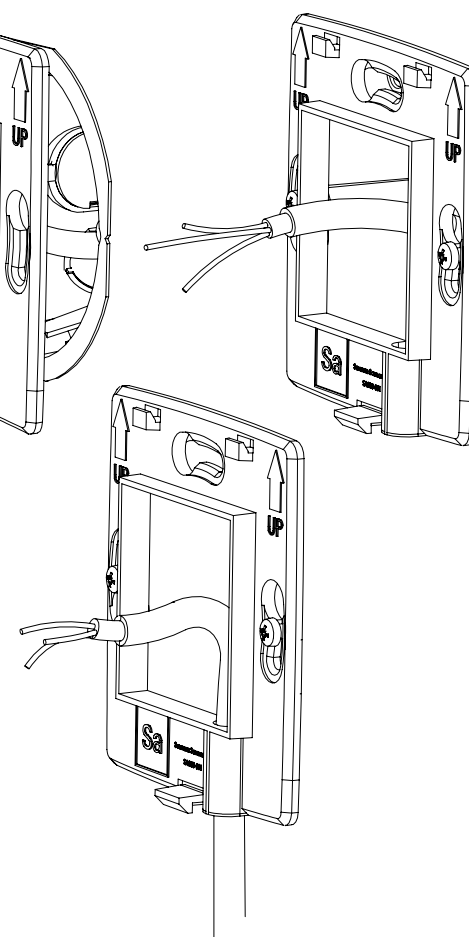


Sa

2. Izvelciet datu kabeli cauri atverei sienas kronšteinā.

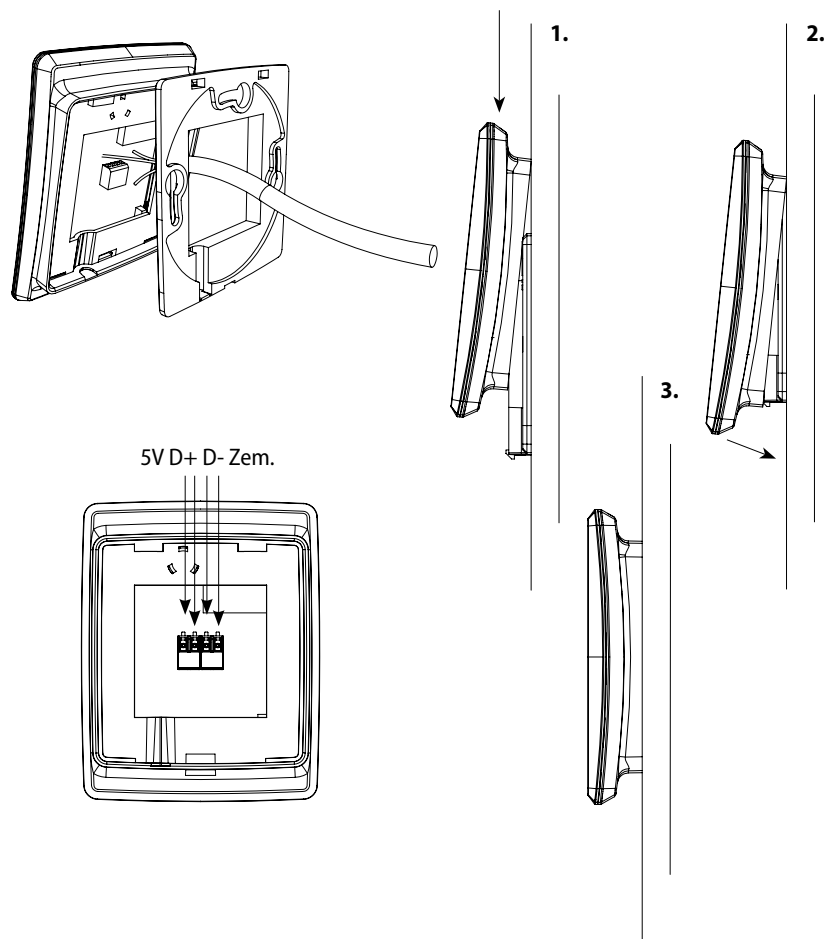


3. Piestipriniet sienas kronšteinu pie sienas ar skrūvēm.



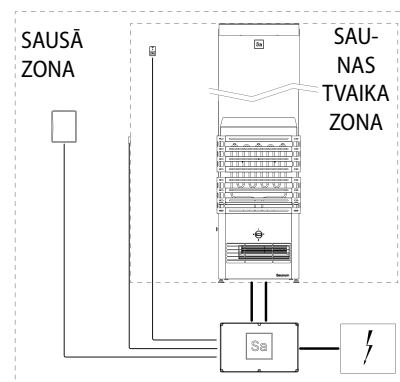
Sa

4. Pieslēdziet datu kabeli savienotājam. 5. Iespiediet vadības paneli sienas kronšteinā.

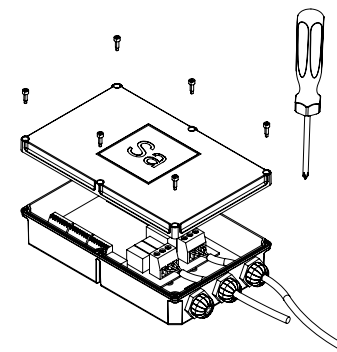


Sa

BAROŠANAS BLOKA UZSTĀDĪŠANA

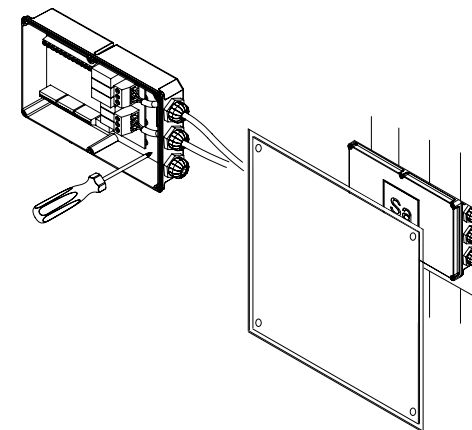


1. Atveriet barošanas bloka pārsegu.



Uzstādīšanas vietai jābūt sausai, un tajā valdošā temperatūra nedrīkst pārsniegt 65 °C.

2. Izurbiet caurumus korpusā un piestipriniet barošanas bloku sienai vai elektriskajam panelim.



Sa

DURVJU SENSORA UZSTĀDĪŠANA

Durvju sensors ir saunas telpas durvju rāmim piestiprināts magnētisks slēdzis.

Durvju aizvēršana noslēdz sensora ķēdi un ļauj aktivizēt saunas vadību.

Saunas durvju atvēršana ķēdi pārtrauc, un ieslēgt sildītāju nav iespējams.

Durvju sensors sastāv no divām daļām: sensora un magnēta.

- Pievienojiet vadu galus sensora spailēm.
- Piestipriniet magnētu durvīm ar abpusējo līmlenti. Pēc šīs darbības durvīm jāvar aizvērties, magnētam nonākot tuvumā durvju rāmim.
- Piestipriniet magnētisko sensoru durvju rāmim, lai sensors un magnēts pēc durvju aizvēršanas atrastos blakus. Kad durvis ir aizvērtas, maksimālais attālums starp durvju slēdža daļām nedrīkst pārsniegt 5 mm.

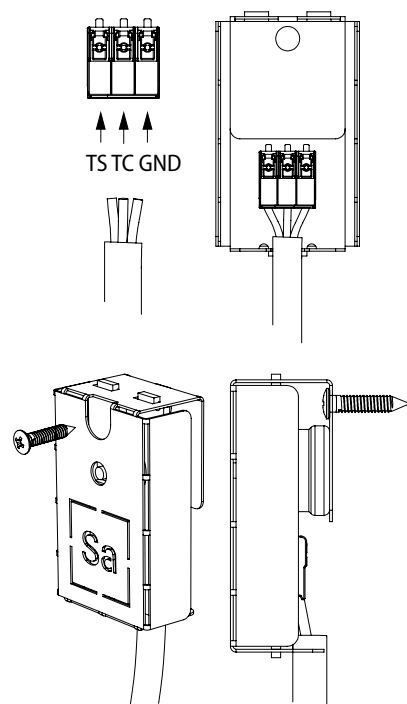
TEMPERATŪRAS SENSORA UZSTĀDĪŠANA

Lai uzstādītu temperatūras sensoru / pretpārkaršanas aizsargierīci, rīkojieties kā aprakstīts tālāk.

- Pievienojiet vadu temperatūras sensora spraudņiem.

- Pieskrūvējiet temperatūras sensoru pie sienas (skat. attēlu).
- Temperatūras sensoru nedrīkst novietot virs sildītāja.
- Tam jāatrodas vismaz 200 mm attālumā. Temperatūras sensors jāuzstāda 100 mm zem griestiem.

Temperatūras sensoram jāatrodas vismaz 500 mm no jebkuras gaisa atveres (ventilācijas atverēm, durvīm un logiem).



Sa

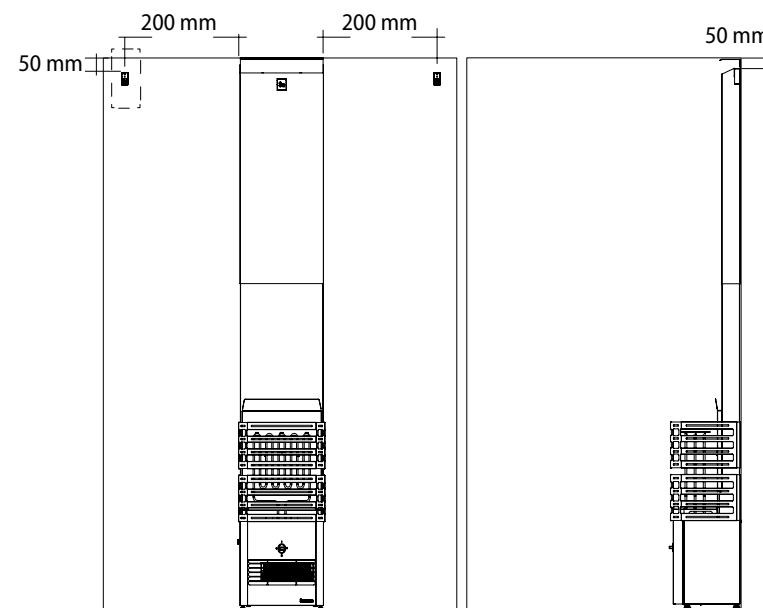
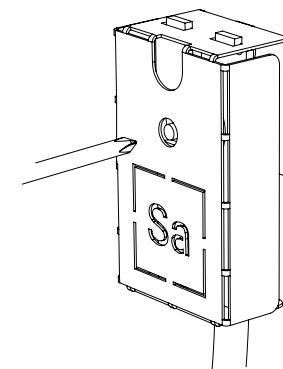
Gaisa plūsma ventilācijas atveru tuvumā atdzesē sensoru, un vadības iekārta tādējādi iegūst neprecīzus temperatūras datus.

Rezultātā sildītājs var pārkarst.

Pretpārkaršanas aizsargierīces atiestatīšanas poga.

- Sensora korpusā atrodas temperatūras sensors un pretpārkaršanas aizsargierīce. Temperatūras sensors nosaka temperatūru, un kļūmes gadījumā pretpārkaršanas aizsargierīce pārtrauc strāvas padevi sildītājam; pretpārkaršanas aizsargierīci var atiestatīt.

Piezīme! Pirms atiestatīšanas jānoskaidro izslēgšanās cēlonis.



Sa

GARANTIJAS NOSACĪJUMI

- Garantija ir spēkā tikai tad, ja kopā ar prasību tiek iesniegts aizpildīts uzstādīšanas protokols.
- Elektrisko ierīci elektrotīklam ir pieslēdzis licencēts un sertificēts elektriķis saskaņā ar visiem spēkā esošajiem tiesību aktiem un noteikumiem.
- Izmantojot ierīci privātā saunā, uz to attiecas divu (2) gadu garantija.
- Izmantojot ierīci publiskā saunā, uz to attiecas viena (1) gada garantija.

Saunum garantija stājas spēkā iegādes datumā un attiecas uz visām vadības iekārtas detaļām, ko nodrošina ražotājs. Garantija attiecas tikai uz ražošanas un materiālu defektiem. Šīs garantijas ietvaros Saunum pircējam nodrošina rezerves daļas, taču tikai pēc defektīvo daļu atgriešanas ražotājam vai izplatītājam. Saunum veicta jebkuras vadības iekārtas detaļas nomaiņa nepagarina sākotnējo garantijas periodu.

Elektrisko ierīci pieslēgt elektrotīklam drīkst tikai licencēts un sertificēts elektriķis saskaņā ar visiem spēkā esošajiem tiesību aktiem un noteikumiem.

Garantija attiecas tikai uz pirmo produkta uzstādīšanas reizi un tikai uz sākotnējo pircēju.

Garantijā neietilpst:

- Regulāra ierīces apkope un tīrīšana, kā arī komponentu nomaiņa normāla nolietojuma rezultātā.
- No transportēšanas izrietoši riski.
- Ierīces nepareizas lietošanas izraisīti bojājumi.
- Ierīces nepareizas uzstādīšanas izraisīti bojājumi.
- Ierīces pielāgošana vai modifīcēšana jebkuram citam nolūkam, kurš nav minēts lietošanas instrukcijās.
- Ierīces remonts, ko nav veicis Saunum ieteiktais remonta un apkopes partneris.
- Negadījumi, zibens spērieni, ūdens vai uguns ietekme, nepareiza ventilācija vai jebkādi citi faktori, kas nav Saunum varā.

Saunum Saunas OÜ ieteikto uzstādīšanas un apkopes pakalpojumu sniedzēju saraksts pieejams vietnē www.saunum.com.

Sa

UZSTĀDĪŠANAS PROTOKOLS

Saunum saunas vadības iekārtas modelis: _____

Pirkuma datums: _____

Sākotnējais pircējs: _____

Uzstādīšanas vieta: _____

Pārdevējs: _____

Elektroinstalācijas izveides datums: _____

Uzstādītāja paraksts: _____

Piezīmes: _____

Klienta kontaktinformācija (vārds, e-pasta adrese): _____

Darbs pieņemts: _____

Garantijas sākuma datums: _____

Rūpīgi un pilnībā izlasiet visas lietošanas instrukcijas **pirms ierīces lietošanas** un vienmēr glabājiet tās drošā, ērti pieejamā vietā turpmākai uzziņai.



EK atbilstības deklarācija

Ražotājs: Saunum Saunas OÜ

apliecina, ka produkts:

Saunum saunas vadības iekārta LEIL

atbilst turpmāk minēto Eiropas Parlamenta un Padomes direktīvu prasībām, ja uzstādīšana ir veikta atbilstoši iekārtas ražotāja sniegtajām uzstādīšanas instrukcijām un standartam.: IEC/EN 60335-2-53
Zemsprieguma iekārtu direktīva 2014/35/ES
Elektromagnētiskās savietojamības direktīva 2014/30/ES.



Saunum

Sterownik do sauny **LEIL** firmy **Saunum**

Sa

NAJLEPSZE WRAŻENIA Z SAUNY JAKIE MOŻESZ UZYSKAĆ!

Miło mi, że zakupili Państwo urządzenie Saunum i wierzę, że nasza innowacyjna technologia zapewni wspaniałe i niezwykle doznania podczas korzystania z sauny.

Posiadam dyplom z zakresu inżynierii cieplnej i pochodzę z południowej Estonii, w której zaczęła się moja miłość do saun. Cechą szczególną tutejszych historycznych saun dymnych jest niższa temperatura i wyższy poziom wilgotności niż np. w klasycznej saunie fińskiej. W zwykłych saunach, objętość kamieni w piecu do sauny jest na ogół niewielka. Taki układ może generować gwałtowny strumień parząco gorącej pary i skrajnie nierówny rozkład temperatur – głowa i ramiona są naprawdę rozgrzane, ale stopy pozostają zimne. Takie doznania mogą być dość nieprzyjemne, powodując bóle głowy i prowadząc do zmęczenia organizmu. W starożytnych saunach dymnych i saunach indiańskich kamienie były jednak najpierw podgrzewane w ciągu dnia. Następnie ciepło zmagazynowane w kamieniach było wykorzystywane do oczyszczenia ciała i stworzenia naprawdę przyjemnych doznań w saunie.

Zainspirowany doznaniem z sauny dymnej chciałem stworzyć innowacyjne rozwiązanie, które połączy najlepsze cechy pierwotnej sauny z nowoczesną technologią, zapewniając przyjemnie łagodne i relaksujące doznania w saunie bez boleśnie parzącej pary. W tym celu musiałem jednak rozwiązać problem, w jaki sposób osiągnąć równomierną temperaturę, zarówno na poziomie głowy, jak i stóp. Moje prace badawczo-rozwojowe zostały poparte badaniami przeprowadzonymi wspólnie z Politechniką w Tallinie, w których analizowaliśmy



Sa

stratyfikację termiczną i ruch powietrza w saunie. Saunum narodziło się we współpracy myśli naukowej z innowacjami technologicznymi.

Unikalny, opatentowany system mieszania warstw powietrza firmy Saunum wychwytuje gorącą parę unoszącą się pod sufitem sauny, miesza ją z chłodniejszym powietrzem z powierzchni podłogi i równomiernie kieruje łagodniejszą parą z powrotem. Daje to przyjemne, nieagresywne ciepło. Dzięki temu można dłużej siedzieć w saunie, korzystając z możliwości wypocenia się i głębokiego oczyszczenia bez uczucia zmęczenia. Objętość kamieni w naszych piecach jest znacznie większa niż w innych piecach do sauny, co jest przyczyną szczególnie przyjemnego klimatu wewnątrz z delikatną i utrzymującą się długo parą.

Sauna mokra parowa, sanarium, lecznicza sauna solna czy zdrowa sauna aromatyczna – wszystkie te funkcje dostępne są w urządzeniach Saunum umożliwiając stworzenie prawdziwie relaksujących doznań podczas korzystania z sauny. Gdy stujemy w urządzeniu kulki z soli himalajskiej, jony soli, które są korzystne dla skóry i dróg oddechowych, odparowują, a para rozprowadza je w powietrzu. Dodanie systemu rozprowadzania aromatów do systemu sauny, który łączy parę i zdrowy olejek aromatyczny, sprawia, że środowisko sauny staje się jeszcze przyjemniejsze.

Urządzenia sauny firmy Saunum są odpowiednie zarówno dla dorosłych, jak i dla dzieci.

Czerp przyjemność z sauny!

Andrus Vare
Twórca firmy Saunum

Sa

Saunum **gratuluje**
wyboru innowacyjnego
sterownika do sauny!

Sa

SPIS TREŚCI

Ostrzeżenia i uwagi _____	170
SPOSÓB UŻYCIA	
Korzystanie z pieca i instrukcja kąpielii _____	172
Sterownik _____	173
Wskaźniki _____	175
Podgrzewanie _____	176
Korzystanie z funkcji klimatyzacyjnej sauny Saunum _____	176
Konfigurowanie sauny _____	177
Planowanie pracy sauny _____	181
Dane techniczne _____	184
INSTRUKCJA INSTALACJI	
Instalowanie panelu sterowania _____	186
Instalowanie zasilacza _____	189
Połączenia elektryczne _____	190
Instalowanie czujnika drzwowego _____	192
Instalowanie czujnika temperatury _____	192
Warunki gwarancji _____	194
Protokół instalacyjny _____	195

Sa

Wszyscy użytkownicy tego produktu muszą uważnie przeczytać ostrzeżenia i instrukcję przed użyciem produktu! Niezastosowanie się do zaleceń instrukcji może spowodować obrażenia ciała, śmierć, pożar i/lub uszkodzenie mienia, a także unieważnienie gwarancji na urządzenie.

Panel sterowania służy do sterowania piecem do sauny oraz funkcjami przeznaczonymi dla sterownika.

Nie należy go wykorzystywać do żadnego innego celu!

Urządzenie nie powinno być obsługiwane przez dzieci, osoby o ograniczonej sprawności ruchowej lub osoby chore. Dzieci powinny korzystać z urządzenia wyłącznie pod stałym i ścisłym nadzorem osoby dorosłej i wyłącznie po konsultacji z lekarzem.

Osoby o ograniczonych możliwościach fizycznych, sensorycznych lub umysłowych lub osoby bez doświadczenia i wiedzy powinny używać tego urządzenia wyłącznie pod stałym i ścisłym nadzorem osoby dorosłej i wyłącznie po konsultacji z lekarzem.

Każdy użytkownik przed skorzystaniem z sauny powinien skonsultować się z lekarzem, aby upewnić się, że jego stan zdrowia nie sprawi, że kąpiel w saunie stanie się niebezpieczna, oraz aby omówić ograniczenia czasowe i temperaturowe. Kobiety w ciąży powinny przed skorzystaniem z sauny skonsultować się z lekarzem.

Nadmierne rozgrzanie ciała może potencjalnie spowodować uszkodzenie płodu we wczesnej ciąży.

Zażywanie narkotyków, leków lub spożywanie alkoholu przed lub podczas sesji w saunie może prowadzić do zawrotów głowy lub utraty przytomności, powodując obrażenia lub śmierć. Żadna osoba nie powinna korzystać z tego produktu będąc pod wpływem alkoholu lub narkotyków. Osoby przyjmujące leki powinny skonsultować się z lekarzem, aby upewnić się, że korzystanie z sauny w okresie przyjmowania leków jest bezpieczne. Użytkownicy powinni ułożyć ręcznik między skórą a ławką w saunie lub ścianą podczas siedzenia lub leżenia w pomieszczeniu. Korzystając z sauny należy mieć świadomość niebezpieczeństw związanych z pobytem w niej. W saunie parowej nie należy jednorazowo przebywać dłużej niż 30 minut.

Długotrwałe wystawienie na działanie pary może być szkodliwe lub spowodować zgon. Użytkownicy powinni zaprzestać korzystania z sauny, jeśli pocują oszołomienie, zawroty głowy lub zmęczenie ciepłem. Spanie w rozgrzanej saunie jest zabronione. Użytkownicy powinni zachować ostrożność, aby nie zasnąć podczas korzystania z sauny.

Urządzenie elektryczne powinno być podłączane do sieci wyłącznie przez licencjonowanego, profesjonalnego, certyfikowanego elektryka zgodnie ze wszystkimi przepisami i regulacjami.

Sa

Po podłączeniu i zainstalowaniu sterownika, instalator musi poinformować właściciela lub operatora sauny o wszystkich wymaganiach dotyczących jej pracy.

Właściciel lub operator ma obowiązek poinformować o wymaganiach dotyczących użytkownika każdemu, kto korzysta z sauny.

Wszelkie czynności konserwacyjne inne niż regularne czyszczenie powierzchni produktu muszą być wykonywane przez przeszkolonego profesjonalistę.

Przed przystąpieniem do jakichkolwiek prac konserwacyjnych należy zawsze odłączyć urządzenie od źródła zasilania!

- Przed zamontowaniem i rozpoczęciem użytkowania sterownik należy sprawdzić pod kątem występowania widocznych uszkodzeń. Nie używać w żaden sposób urządzenia uszkodzonego lub urządzenia, które zostało zmodyfikowane w stosunku do oryginalnego stanu dostarczonego przez producenta.
- Urządzenie wymaga zainstalowania zgodnie z instrukcją instalacji i obsługi. Nieprzestrzeganie wszystkich zaleceń instrukcji może spowodować zagrożenie pożarem lub zwarcie, prowadzące do uszkodzenia mienia, obrażeń ciała lub śmierci.

- Na urządzeniu można instalować wyłącznie akcesoria zatwierdzone przez producenta. Jeśli w urządzeniu instalowane są odpowiednie akcesoria, należy postępować zgodnie z instrukcjami obsługi i instalacji dla tych akcesoriów!
- Jeśli przewód zasilający zostanie uszkodzony, aby uniknąć zagrożeń, musi zostać wymieniony przez partnera serwisowego producenta lub licencjonowanego, profesjonalnego, certyfikowanego elektryka o podobnych kwalifikacjach.
- Panel sterowania należy czyścić za pomocą lekko zwilżonej szmatki. Należy stosować wyłącznie delikatne środki do czyszczenia. Nigdy nie używać rozcieńczalników ani żrących substancji chemicznych. Przed włączeniem należy pozostawić produkt do całkowitego wyschnięcia.
- Produkt nie powinien być utylizowany razem z innymi odpadami komunalnymi. W przypadku recyklingu produktu należy oddać go do lokalnego punktu zbiórki lub skontaktować się z miejscem zakupu.

Sa

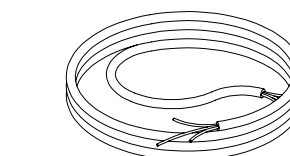
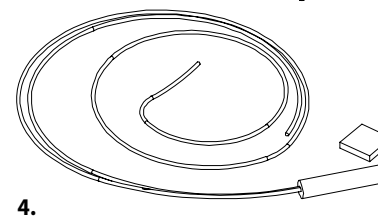
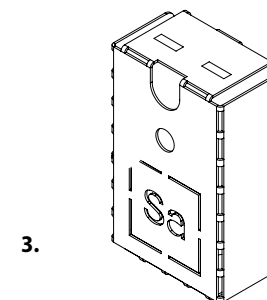
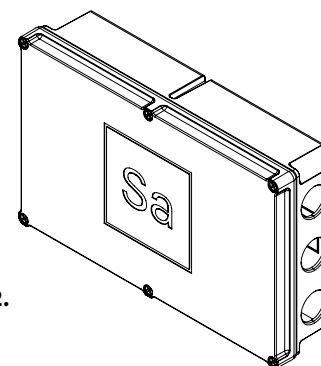
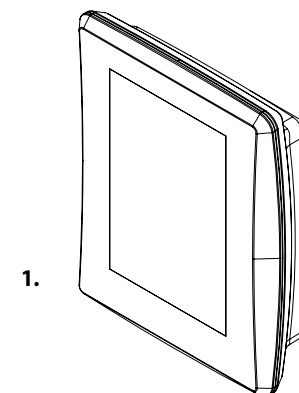
KORZYSTANIE Z PIECA I INSTRUKCJA KĄPIELI

- Przed przystąpieniem do nagrzewania należy zawsze sprawdzić, czy na piecu lub w obrębie bezpiecznej odległości od pieca opisanej w instrukcji producenta pieca nie znajdują się żadne przedmioty.
- Należy zawsze sprawdzać, czy piec wyłączył się i przestał grzać po upływie czasu włączenia.
- W saunach publicznych, w których piec jest używany nieprzerwanie dłużej niż pozwala na to regulator czasowy pieca lub ustawienia fabryczne sterownika, urządzenie może być użytkowane wyłącznie pod stałym nadzorem osoby dorosłej przez osobę niekorzystającą z sauny w czasie wykonywania nadzoru.
- Gdy sterownik jest ustawiony w tryb gotowości do zdalnego sterowania lub przełączania, należy wcześniej upewnić się, że w pomieszczeniu parowym lub na piecu nie ma przedmiotów, które nie spełniają wymogu bezpiecznej odległości określonej w instrukcji producenta pieca.
- Zgodnie z normą produktową IEC/EN 60335-2-53 dotyczącą elektrycznych pieców do sauny, sterownik może być stosowany do zdalnego sterowania piecem, gdy piec lub drzwi sauny są wyposażone w wyłącznik bezpieczeństwa (czujnik drzwiowy).
- Zbyt długie korzystanie z sauny może być szkodliwe dla zdrowia lub spowodować śmierć.
- W pomieszczeniu sauny parowej nie należy przebywać dłużej niż 30 minut (z rzędu).
- Opuść pomieszczenie sauny parowej, jeśli poczujesz senność, zawroty głowy lub osłabienie.
- W saunie nie wolno suszyć przedmiotów ani żywych organizmów.

Sa

STEROWNIK

Sterownik do sauny LEIL firmy Saunum składa się z **panelu sterowania** (1), **zasilacza** (2), **czujnika temperatury** (3), **czujnika drzwiowego** (4) i **przewodu czujnika temperatury** (5).



Sterownik może służyć do wstępnego ustawienia temperatury i czasu uruchomienia pieca oraz do przełączania prędkości urządzenia klimatyzacyjnego Saunum (w dalszej części określonego terminem urządzenie klimatyzacyjne).

Temperatura w saunie jest regulowana w oparciu o informacje z czujnika.

Czujnik temperatury i zabezpieczenie przed przegrzaniem znajdują się w obudowie czujnika.

Sa

KORZYSTANIE Z PIECA ZE STEROWNIKIEM

Elementy grzejne wyłączą się automatycznie, gdy pomieszczenie sauny osiągnie temperaturę wybraną na panelu sterowania.

Sterownik automatycznie włącza i wyłącza elementy grzejne, aby utrzymać żądaną temperaturę.

Piec wyłączy się po upływie ustawionego czasu, wciśnięciu przycisku „Stop” lub wystąpieniu błędu.

STEROWNIK

- Kontroluje temperaturę sauny i prędkość urządzenia klimatyzacyjnego.
- Trzy wstępnie ustawione rodzaje saun, które można samodzielnie zmieniać.
- Istnieje możliwość wyboru godziny, w której sauna będzie gotowa do użytku (rozgrzewanie rozpoczyna się ok. 1,5 godziny wcześniej).
- Powiadomienie o gotowości sauny – powiadomienie na ekranie. Korzystanie z aplikacji Saunum i aplikacji mobilnej.
- Języki.
- Ekran dotykowy.
- Blokada ekranu/blokada dziecięca.
- Zabezpieczenie przed przegrzaniem.

- Żądane funkcje można wybrać z intuicyjnego ekranu, wartości liczbowe wyświetlane na czerwono można zmienić.
- Zdalne sterowanie – za pomocą aplikacji mobilnej Saunum.

Urządzenia z włączoną obsługą w aplikacji można również sterować i konfigurować za pomocą telefonu komórkowego.

Zdalne sterowanie pieca może być stosowane wyłącznie wtedy, gdy zainstalowano drzwiowy czujnik bezpieczeństwa (zgodnie z normą produktową IEC/EN 60335-2-53 regulującą stosowanie elektrycznych pieców do sauny).

Piec można włączyć zdalnie tylko przy zamkniętych drzwiach. Jeśli obwód będzie otwarty, piec nie uruchomi się.

Po zakończeniu instalacji sterownika instalator powinien przekazać niniejszą instrukcję właścicielowi sauny. Właściciel produktu powinien udostępnić instrukcję wszystkim osobom korzystającym lub obsługującym saunę. Proszę zapoznać się z dodatkowymi zaleceniami dotyczącymi instalacji, użytkowania i recyklingu dostępnymi w oryginalnej instrukcji obsługi sterownika. Firma Saunum zastrzega sobie prawo do wprowadzania okresowych zmian w treści instrukcji – zmiany będą publikowane w serwisie www.saunum.com. Niezastosowanie się do zaleceń instrukcji może spowodować obrażenia ciała, śmierć, pożar i/lub uszkodzenie mienia, a także unieważnienie gwarancji na urządzenie.

Sa

WSKAŹNIKI



Godzina uruchomienia „Sauna gotowa”



Temperatura



Czas trwania sesji



Urządzenie klimatyzacyjne



Prędkości urządzenia klimatyzacyjnego



Lekki



Moc pieca w kW



Objętość pomieszczenia sauny, m³



Blokada ekranu/blokada dziecięca



Zwiększanie wartości



Zmniejszanie wartości

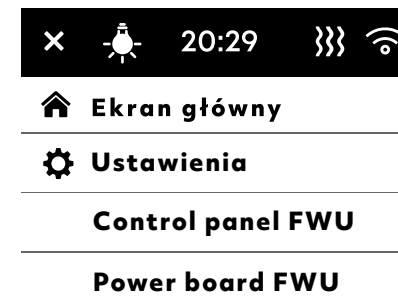


Przejdź do następnego widoku



1. Menu
2. Lekki
3. Czas
4. Stan pieca
5. Połączenie Wi-Fi

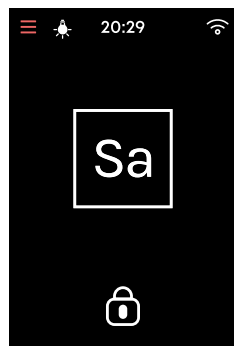
Menu





PODGRZEWANIE

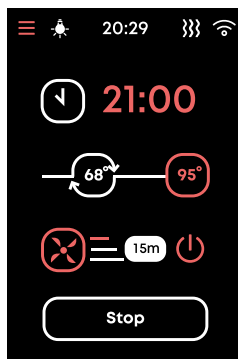
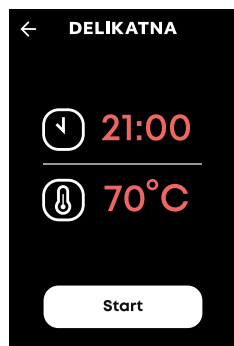
1. Dotknij ekranu, aby rozpocząć.



Ustawianie czasu gotowości do sauny.

Czas „gotowości sauny” to moment, w którym temperatura strefy parowej sauny osiągnie wybrany poziom (rozgrzewanie rozpoczyna się około 1,5 godziny wcześniej).

2. Naciśnij przycisk „Start”, aby rozpocząć rozgrzewanie sauny.



Gdy sauna jest w trybie rozgrzewania, można zmienić czas trwania sesji w saunie i temperaturę, dotykając elementów sterujących czasu trwania i temperatury oraz wybierając żądane wartości liczbowe.

KORZYSTANIE Z FUNKCJI KLIMATYZACYJNEJ SAUNY SAUNUM

OSTRZEŻENIE! Funkcja klimatyzacji nie powinna być stosowana podczas rozgrzewania strefy parowej sauny, ponieważ może to spowodować wydłużenie czasu rozgrzewania i potencjalne przegrzanie.

Z funkcji urządzenia klimatyzacyjnego strefy parowej sauny można korzystać WYŁĄCZNIE podczas korzystania z sauny. Aby ochronić saunę przed przegrzaniem urządzenie klimatyzacyjne może również uruchomić się niezależnie. Nie używaj funkcji klimatyzacji bez nadzoru.

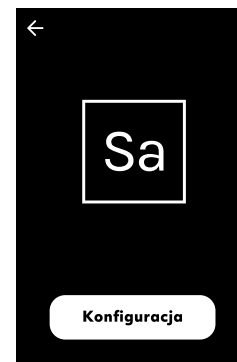


KONFIGUROWANIE SAUNY

Sterownik do sauny LEIL firmy Saunum jest stale udoskonalany i uzupełniany o nowe funkcje, aby jeszcze bardziej zwiększyć komfort klienta. Firma Saunum powiadamia swoich klientów o wszystkich aktualizacjach oprogramowania. Pobranie aktualizacji wymaga połączenia z internetem. Aby mieć pewność, że oprogramowanie na Państwa urządzeniu jest aktualne, jeśli nie jest stale połączone z siecią Wi-Fi, należy utworzyć internetowy punkt dostępu na swoim urządzeniu mobilnym.

Instalując po raz pierwszy urządzenie, należy połączyć się z siecią i pobrać niezbędne aktualizacje.

1. Przy pierwszym uruchomieniu pojawi się opcja „Konfiguruj”. Dotknij opcji „Konfiguruj”, aby rozpocząć proces konfiguracji.



2. Łączenie z Wi-Fi.

Wybierz odpowiednią sieć Wi-Fi, dotykając odpowiedniej nazwy sieci. W przypadku braku potrzeby połączenia panelu sterowania sauny z siecią Wi-Fi naciśnij przycisk „Pomiń”.

Zainstaluj panel sterowania w miejscu z dobrym połączeniem Wi-Fi. Odpowiednie połączenie Wi-Fi z telefonem można zapewnić:

- Wyłączając transmisję danych komórkowych na telefonie.
- Włączając łączność Wi-Fi na telefonie.
- Połączenie Wi-Fi w miejscu instalacji jest odpowiednie, jeśli połączenie Wi-Fi telefonu jest dobre, a aplikacje wymagające transferu danych działają poprawnie.

Jeśli połączenie jest nieodpowiednie:

- Należy spróbować w innym miejscu.
- W razie możliwości należy zmienić lokalizację routera Wi-Fi, aby poprawić połączenie z panelem sterowania Wi-Fi Saunum.

Konstrukcja budynku, materiały budowlane, montaż podtynkowy i inne problemy mogą obniżyć jakość połączenia Wi-Fi.

Wskazówka! W celu zwiększenia zasięgu sieci można użyć wzmacniacza sieci Wi-Fi.

Panel sterowania Wi-Fi Saunum jest przeznaczony do sterowania elektrycznym piecem do sauny.

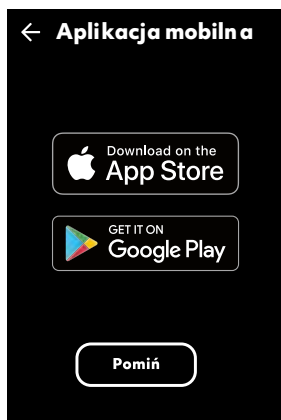
Sa

Za pomocą panelu sterowania można również:

- Ustawić i monitorować temperaturę sauny.
- Włączyć i ustawić prędkość dla funkcji klimatyzacji sauny Saunum.
- Wyświetlić informacje o stanie pieca.
- Ustawić uruchomienie w harmonogramie.

Aplikacja mobilna Saunum to aplikacja umożliwiająca zdalne sterowanie panelem sterowania Saunum.

3. Pobieranie aplikacji Saunum.



W przypadku braku potrzeby korzystania z aplikacji mobilnej, naciśnij przycisk „Pomiń”.

4. Otwieranie pobierania aplikacji Saunum.



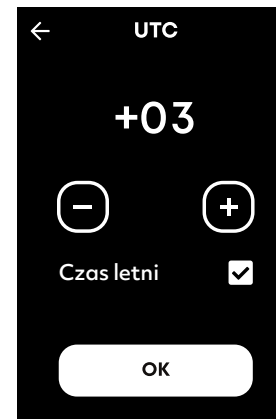
Zeskanuj kod QR otwierający aplikację Saunum w serwisach Google Play lub App Store.

5. Łącząc się z aplikacją Saunum, zeskanuj kod QR wyświetlany na panelu sterowania.



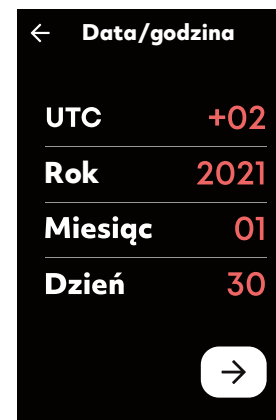
Sa

6. Ustawianie strefy czasowej.



Konfiguracja lokalnej strefy czasowej (UTC) jest wymagana, jeśli panel sterowania sauny był wcześniej podłączony do sieci Wi-Fi.

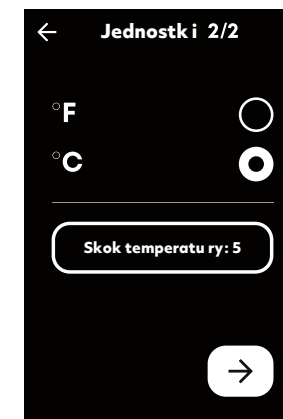
7. Ustawianie daty i godziny.



8. Ustawianie jednostek (1/2).



9. Ustawianie jednostek temperatury (2/2).



Sa

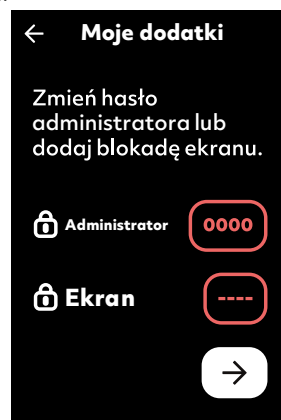
10. Wprowadzanie danych sauny (1/2).



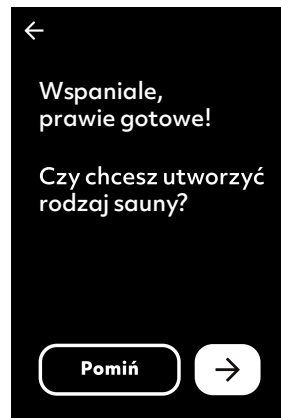
11. Wprowadzanie danych sauny (2/2).



12. Ustawianie haseł (domyślne hasło dostępne to 2002).



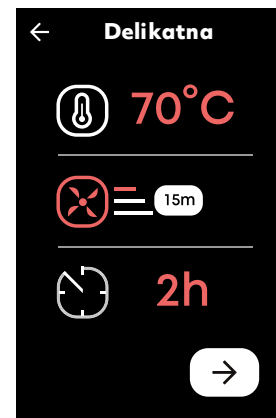
13. Tworzenie rodzaju sauny (1/4).



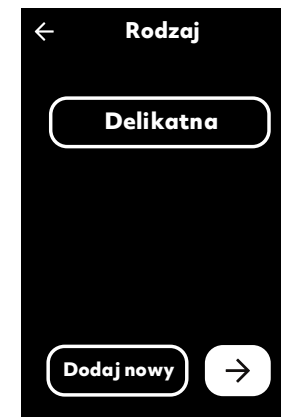
14. Tworzenie rodzaju sauny (2/4).



15. Tworzenie rodzaju sauny (3/4).



16. Tworzenie rodzaju sauny (4/4).



PLANOWANIE PRACY SAUNY

Otwórz Menu.



Saunum umożliwia tworzenie harmonogramu pracy sauny z góry przez ustawianie tygodniowego harmonogramu sesji.

W tym celu dotknij przycisk „Harmonogram” w menu.

Sa

DANE TECHNICZNE**PANEL STEROWANIA:**

- Zakres regulacji temperatury 40–100°C.
- Wstępne ustawianie harmonogramu na tydzień.
- Umożliwia ustawienie czasu pracy pieca: do 6 godzin w saunie prywatnej, do 12 godzin w saunie publicznej.
- W przypadku dłuższego czasu pracy należy skonsultować się z importerem/producentem.
- Sterowanie trzema prędkościami urządzenia klimatyzacyjnego.
- Wymiary: 104 mm × 83 mm × 19,3 mm

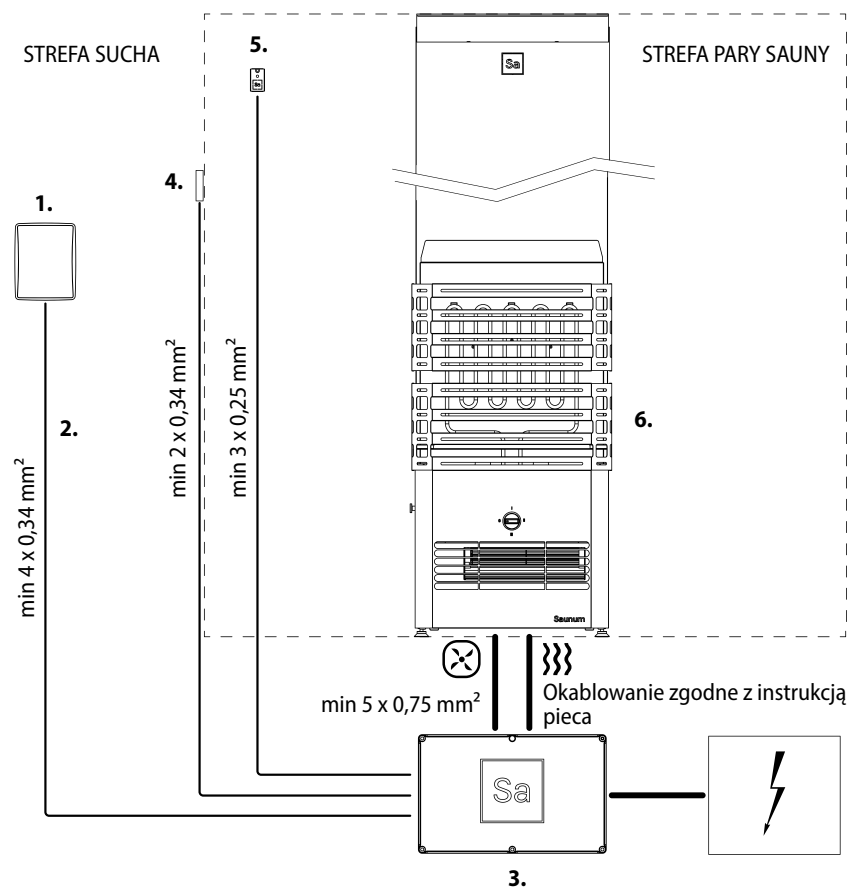
ZASILACZ:

- Napięcie zasilania: 230V 3N~.
- Moc pieca do 9 kW/12 kW.
- Piece o wyższej mocy wymagają oddzielnej „skrzynki styczników”.
- Wymiary: 61 mm × 160 mm × 225 mm.
- Urządzenie zabezpieczające: czujnik drzwiowy, zabezpieczenie przed przegrzaniem.

Warunki przechowywania: -30–80°C.



Sa



1. PANEL STEROWANIA

2. KABEL DANYCH (dostarcza instalator)

3. ZASILACZ

4. CZUJNIK DRZWIOWY

5. CZUJNIK TEMPERATURY

6. PIEC (sprzedawany oddzielnie)

Sa

INSTRUKCJA INSTALACJI

OSTRZEŻENIE! Niezainstalowanie produktu zgodnie ze wszystkimi instrukcjami zawartymi w niniejszym dokumencie spowoduje unieważnienie gwarancji. Może to spowodować zagrożenie pożarem i/lub zwarciem elektrycznym, prowadzące do uszkodzenia mienia, obrażeń ciała lub śmierci.

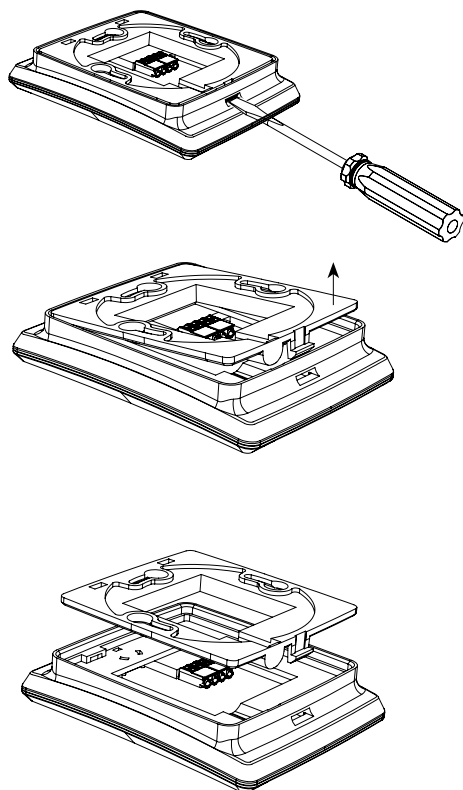
Instalację sterownika może wykonać wyłącznie uprawniony elektryk zgodnie z obowiązującymi przepisami. Osoba odpowiedzialna za instalację powinna zapewnić niezbędne szkolenie i przekazać instrukcję obsługi właścicielowi produktu po zakończeniu instalacji. Właściciel produktu powinien udostępnić instrukcję wszystkim osobom korzystającym lub obsługującym produkt.

INSTALOWANIE PANELU STEROWANIA

W przypadku instalacji krytej kabel do transmisji danych można zainstalować w rurze ochronnej wewnątrz ściany; jeśli nie jest to możliwe, należy go zainstalować na powierzchni ściany.

Panel sterowania należy zamontować na ścianie, w miejscu zabezpieczonym przed zachlapaniem wodą.

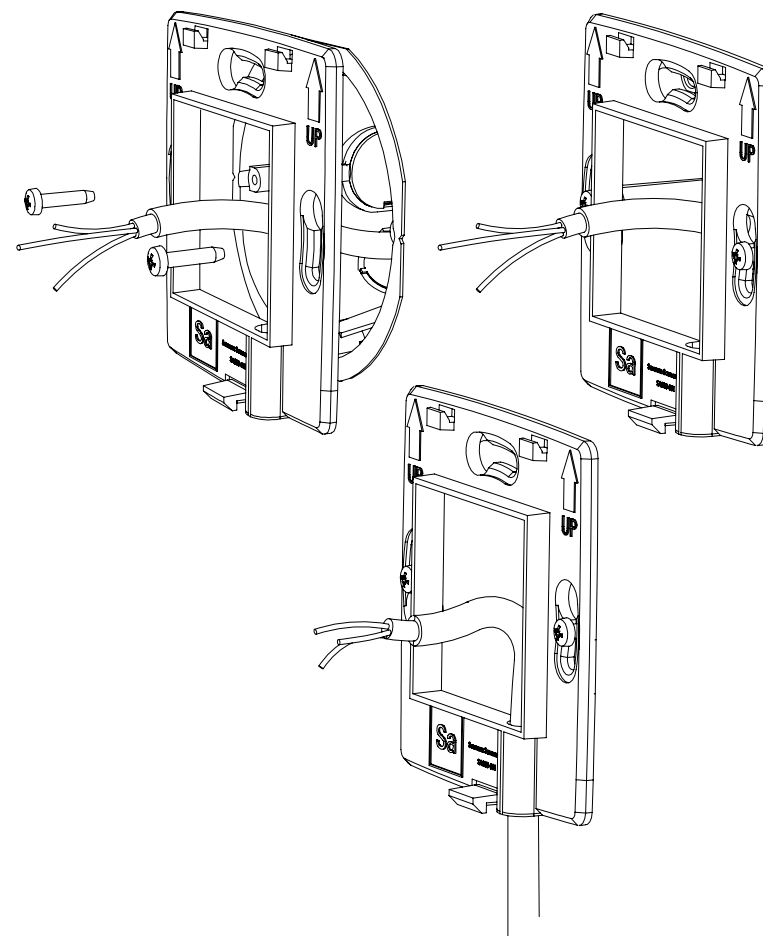
1. Zdjąć uchwyt ścienny z urządzenia.



Sa

2. Przeciągnąć kabel danych przez otwór w uchwycie ściennym.

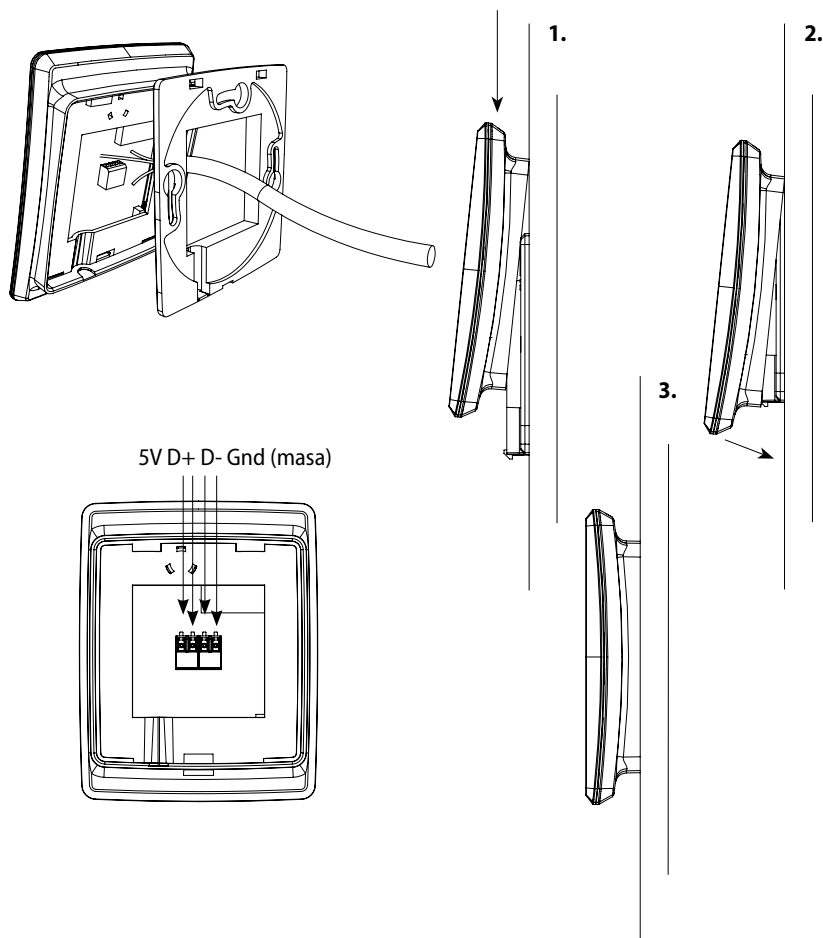
3. Zamontować uchwyt ścienny do ściany za pomocą śrub.



Sa

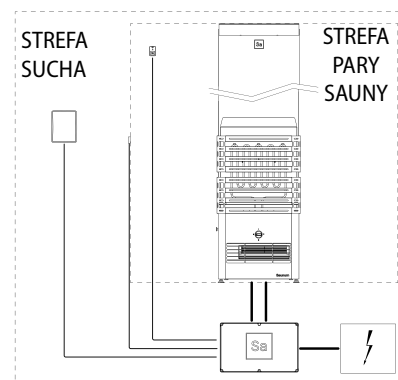
4. Podłączyć kabel danych do złącza.

5. Wcisnąć panel sterowania do uchwyty ściennego.

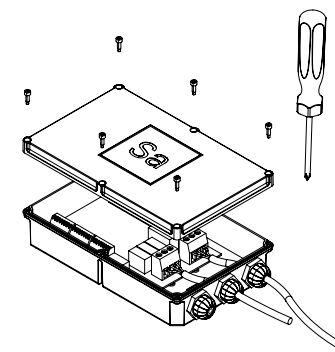


Sa

INSTALOWANIE ZASILACZA

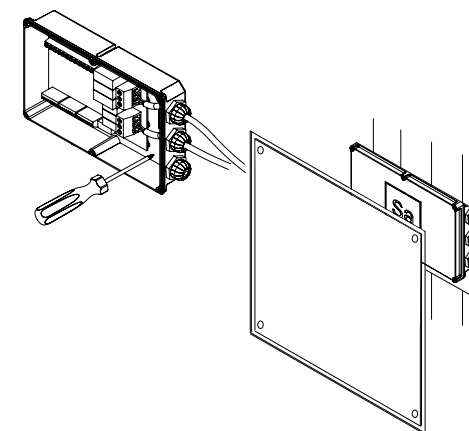


1. Otworzyć pokrywę zasilacza.



Miejsce montażu musi być suche, a maksymalna temperatura w tym miejscu nie może przekraczać 65°C.

2. Wywiercić otwory w obudowie i przymocować zasilacz do ściany lub panelu elektrycznego.



Sa

POŁĄCZENIA ELEKTRYCZNE

Sposób podłączenia zasilacza został przedstawiony na schemacie połączeń elektrycznych.

Więcej informacji na temat podłączania pieca znajduje się w instrukcji montażu i obsługi pieca.

- Jeżeli kable przyłączeniowe i instalacyjne znajdują się wyżej niż 1000 mm od podłogi sauny lub wewnątrz ścian sauny, muszą być w stanie wytrzymać temperaturę co najmniej 170°C (np. SSJ). Urządzenia elektryczne zainstalowane w pomieszczeniu sauny parowej poniżej 1000 mm od podłogi muszą wytrzymać temperaturę co najmniej 125°C (np. T125).

ZALECANE ŚREDNICE KABLI

Czujnik temperatury – zabezpieczenie termiczne (silikon lub inny materiał odporny na ciepło, który jest w stanie wytrzymać temperaturę co najmniej 140°C):

min 3 x 0,25 mm²

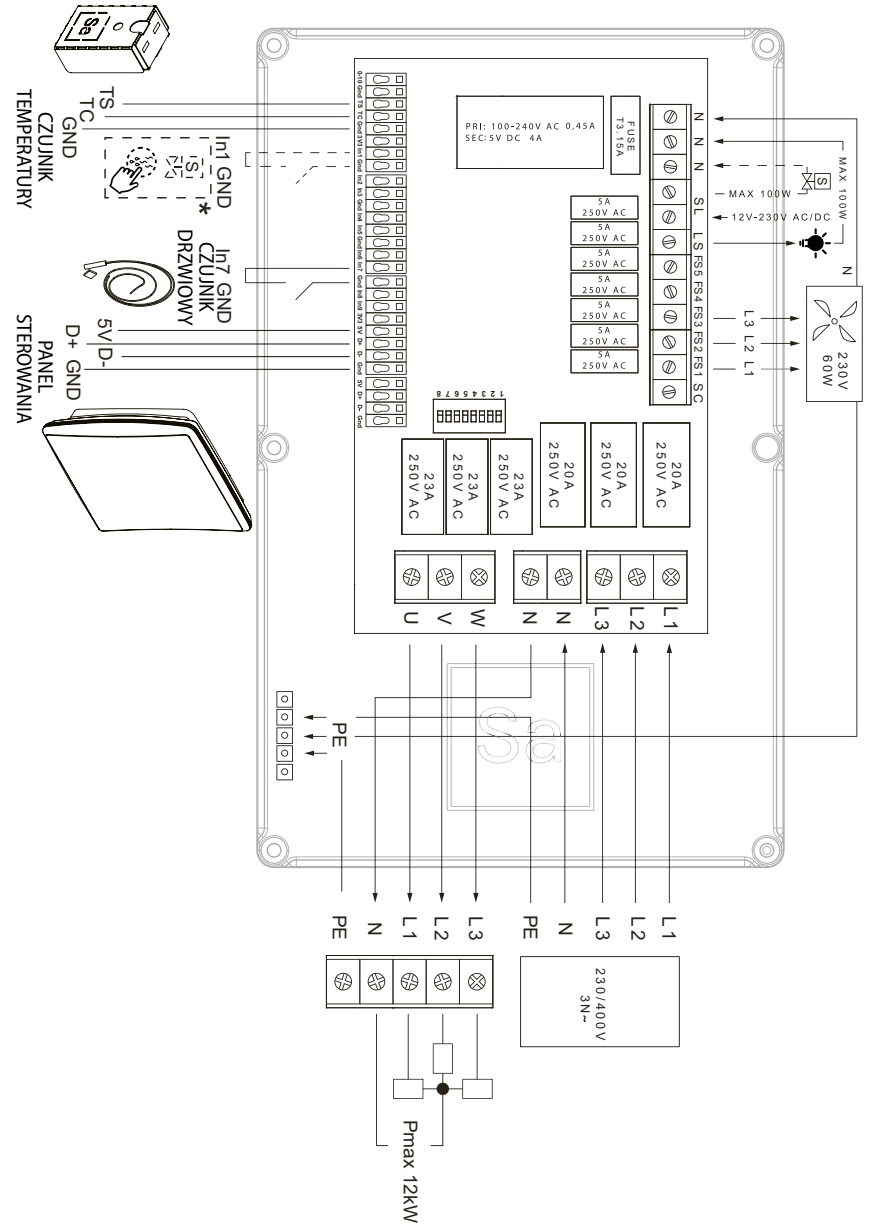
Panel sterowania (w przypadku kabli wielożyłowych wymagana jest końcówka tulejkowa):

min 4 x 0,34 mm²

Czujnik drzwiowy:

min 2 x 0,34 mm²

Sa



Sa

INSTALOWANIE CZUJNIKA DRZWIOWEGO

Czujnik drzwiowy to przełącznik magnetyczny mocowany do ościeżnicy drzwi sauny.

Zamknięcie drzwi zamyka obwód czujnika drzwiowego i umożliwia aktywację sterowania sauną.

Otwarcie drzwi przerywa obwód, a włączenie pieca nie jest możliwe.

Czujnik drzwiowy składa się z dwóch części: czujnika i magnesu.

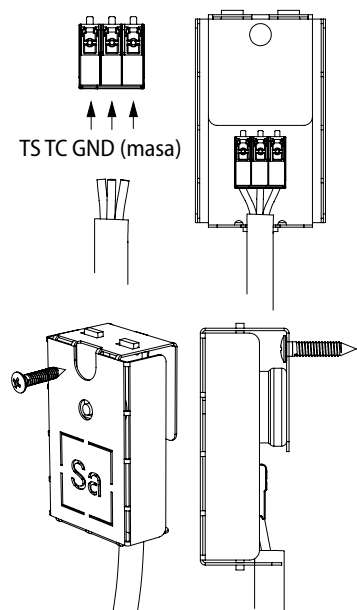
- Podłączyć końce przewodu do zacisków czujnika.
- Zamocować magnes na drzwiach za pomocą taśmy dwustronnej. Zamontowany magnes musi umożliwiać zamknięcie drzwi i znajdować się blisko ościeżnicy.
- Zamocować czujnik magnetyczny do ościeżnicy drzwi, dopasowując czujnik i magnes przy zamkniętych drzwiach. Maksymalna odległość między częściami przełącznika drzwiowego przy zamkniętych drzwiach nie może przekraczać 5 mm.

INSTALOWANIE CZUJNIKA TEMPERATURY

Aby zainstalować czujnik temperatury/zabezpieczenie przed przegrzaniem, należy wykonać następujące czynności.

- Podłączyć kabel do wtyczek czujnika temperatury.
- Przykręcić czujnik temperatury do ściany (patrz rysunek).
- Czujnik temperatury nie może być umieszczony nad piecem.
- Musi znajdować się co najmniej 200 mm od pieca. Czujnik temperatury należy zainstalować 100 mm poniżej sufitu.

Czujnik temperatury należy umieścić co najmniej 500 mm od dowolnego otworu wentylacyjnego (wentylacji, drzwi lub okna).



Sa

Przepływ powietrza w pobliżu otworu wentylacyjnego schładza czujnik, który podaje niedokładne odczyty temperatury do sterownika.

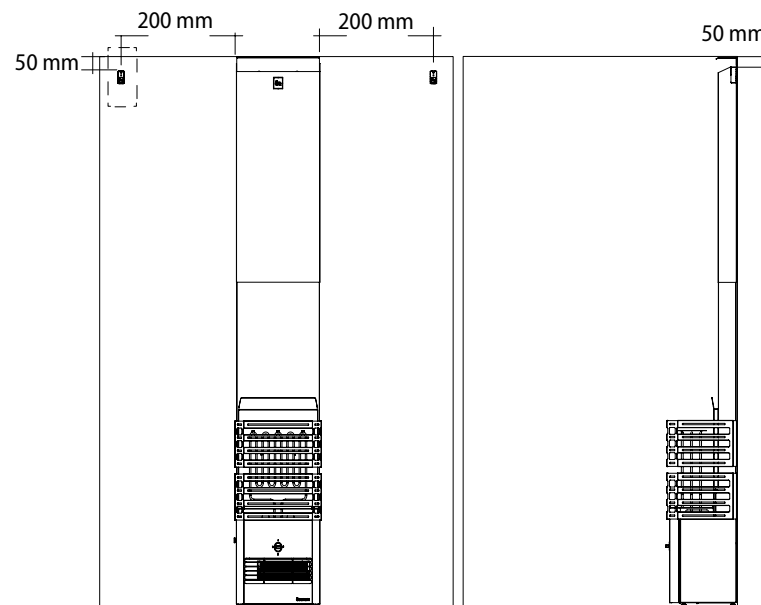
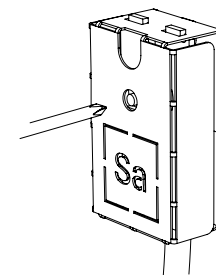
W wyniku tego piec może się przegrzać.

Przycisk resetowania zabezpieczenia przed przegrzaniem.

- Obudowa czujnika zawiera czujnik temperatury i zabezpieczenie przed przegrzaniem. Czujnik temperatury wykrywa temperaturę, a zabezpieczenie przed przegrzaniem wyłącza zasilanie pieca w przypadku awarii – zabezpieczenie

przed przegrzaniem można zresetować.

Uwaga! Przed zresetowaniem należy wyjaśnić przyczynę wyłączenia.



Sa

WARUNKI GWARANCJI

- Gwarancja zachowuje ważność wyłącznie wtedy, gdy do reklamacji zostanie dołączony wypełniony raport z instalacji;
- Urządzenie powinno być podłączone do sieci wyłącznie przez licencjonowanego, profesjonalnego, certyfikowanego elektryka zgodnie ze wszystkimi przepisami i regulacjami.
- W przypadku użytkowania w prywatnej saunie, urządzenie jest objęte dwuletnią (2) gwarancją;
- W przypadku użytkowania w publicznej saunie, urządzenie jest objęte jednoroczną (1) gwarancją;

Okres gwarancji Saunum rozpoczyna się od daty zakupu i obejmuje wszystkie dostarczone przez producenta części sterownika. Gwarancja obejmuje wyłącznie wady produkcyjne i materiałowe. W ramach tej gwarancji Saunum dostarczy kupującemu części zamienne, ale dopiero po zwróceniu wadliwych części do producenta lub sprzedawcy. Wymiana jakiegokolwiek części sterownika przez Saunum nie przedłuża pierwotnego okresu gwarancyjnego.

Urządzenie elektryczne powinno być podłączane do sieci wyłącznie przez licencjonowanego, certyfikowanego elektryka

zgodnie ze wszystkimi przepisami i regulacjami.

Gwarancja obowiązuje wyłącznie dla pierwszej instalacji produktu i dla pierwotnego nabywcy.

Gwarancja nie obejmuje:

- Rutynowej konserwacji i czyszczenia urządzenia oraz elementów podlegających wymianie z powodu normalnego eksploatacyjnego zużycia;
- Zagrożeń wynikających z transportu;
- Uszkodzeń wynikających z niewłaściwego użytkowania urządzenia;
- Uszkodzeń wynikających z niewłaściwej instalacji urządzenia;
- Przystosowania lub modyfikacji urządzenia do celów innych niż wskazany w instrukcji użytkownika;
- Napraw urządzenia, które nie są wykonywane przez zalecanego partnera firmy Saunum wykonującego naprawy i konserwacje;
- Wypadków, działania wyładowań atmosferycznych, wody, pożaru, niewłaściwej wentylacji lub jakiegokolwiek innych czynników niezależnych od Saunum.

Lista dostawców usług instalacyjnych i konserwacyjnych zalecanych przez Saunum Saunas OÜ jest dostępna pod adresem www.saunum.com.

Sa

PROTOKÓŁ INSTALACYJNY

Model sterownika do sauny Saunum: _____

Data zakupu: _____

Pierwotny nabywca: _____

Miejsce instalacji: _____

Zakupiony w: _____

Data wykonania instalacji elektrycznej: _____

Podpis instalatora: _____

Uwagi: _____

Dane kontaktowe klienta (imię i nazwisko, adres e-mail): _____

Prace przyjął: _____

Data rozpoczęcia gwarancji: _____

Instrukcję obsługi należy dokładnie przeczytać **przed rozpoczęciem użytkowania urządzenia** oraz zachować w bezpiecznym i łatwo dostępnym miejscu do wykorzystania w przyszłości.



Deklaracja zgodności WE

Producent: Saunum Saunas OÜ

zaświadcza, że produkt:

Sterownik do sauny LEIL firmy Saunum

spełnia wymagania poniższych dyrektyw Parlamentu Europejskiego i Rady pod warunkiem, że montaż zostanie wykonany zgodnie z instrukcją montażu wydaną przez producenta urządzenia oraz: IEC/EN 60335-2-53
Dyrektywa niskonapięciowa 2014/35/UE
Dyrektywa kompatybilności elektromagnetycznej 2014/30/UE.

Saunum Sauna Control Unit **LEIL**

ENG ● EST ● RUS ● LIT ● LAT ● POL