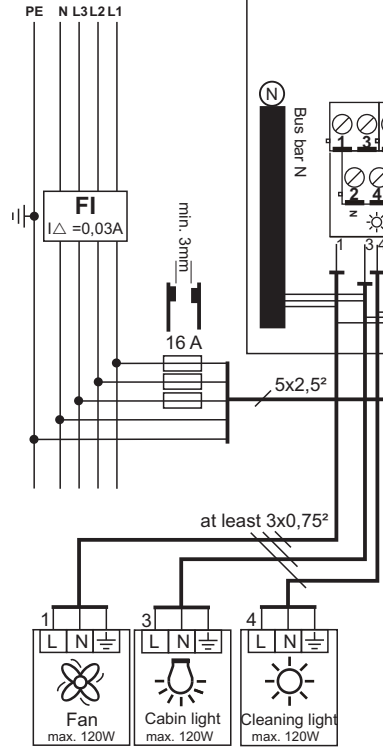
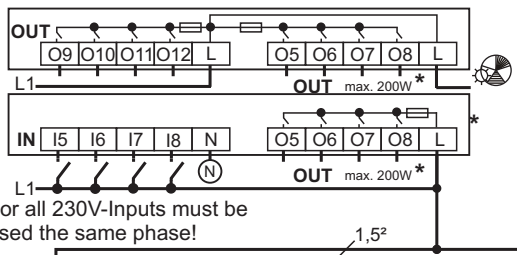


**! Danger:**  
Before starting any maintenance jobs, the control and the extension power unit must be separated from the mains at all poles!

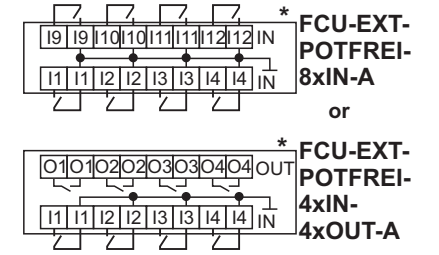
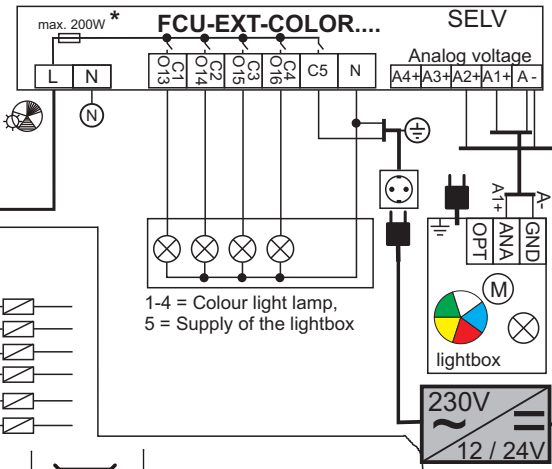
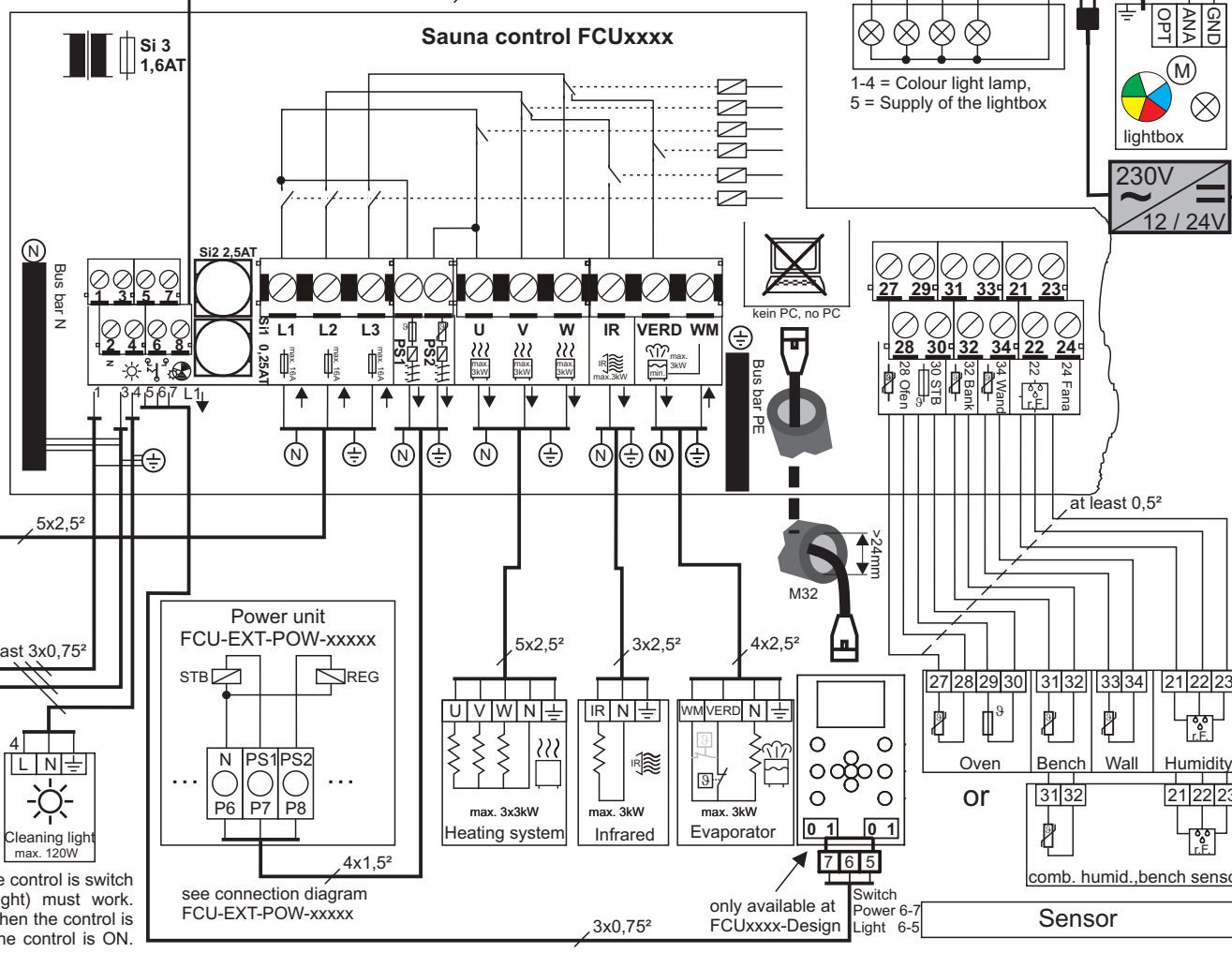
NETZ / mains / Réseau / Сеть  
400V 3N AC 50Hz



VDE requirement: When the control is switch off, one light (Cleaning light) must work. Cleaning light works only when the control is OFF. Cabin light works if the control is ON.



For all 230V-Inputs must be used the same phase!



\* see documents corresponding option

**Note:** All the cables, which lead to the cabin must be designed for a max. temperature of 150°C!

**2 in mm<sup>2</sup>** All cross-sections are designed for copper wires!  
At AL-wires increase accordingly the cross-section!

Because of cable length, installation or special instructions the cross-section may increase!

- Ⓝ all N-cables on bus bar N
- Ⓧ all PE-cables on bus bar PE

**Light and fan:**  
At the dimmable outputs of light and fan, only 230V consumer, or for low voltage iron core transformer which are suitable for phase cut on, will be permitted. Electronic transformer for phase cut off may not be connected.

# Connection diagram for FCUxxxx and FCUxxxx-Design

created:	changed:	An_FCxxxx.cdr	Technical changes reserved
Schmalz	Kanzinger	file name: An-FCxxxx_EN.pdf	
01.2010	11.2018		

