



# Saunum

**Saunum Premium**

ENG • EST • RUS • GER • FRE • ITA • FIN • SWE

# Saunum Premium

- INSTRUCTIONS FOR INSTALLATION AND USE
- PAIGALDUS- JA KASUTUSJUHEND
- ИНСТРУКЦИЯ ПО МОНТАЖУ И ЭКСПЛУАТАЦИИ
- INSTALLATIONS- UND BEDIENUNGSANLEITUNG
- INSTRUCTIONS D'INSTALLATION ET D'UTILISATION
- ISTRUZIONI PER L'INSTALLAZIONE E L'USO
- KÄYTTÖ- JA ASENNUSOHJE
- INSTRUKTIONER FÖR MONTERING OCH ANVÄNDNING

<b>ENGLISH</b>	_____	5
<b>EESTI</b>	_____	45
<b>РУССКИЙ</b>	_____	85
<b>DEUTSCH</b>	_____	127
<b>FRANÇAIS</b>	_____	167
<b>ITALIANO</b>	_____	207
<b>SUOMI</b>	_____	247
<b>SVENSKA</b>	_____	287



# Saunum

Sauna room heater with climate device

**Saunum Premium**

Sa

## THE BEST SAUNA EXPERIENCE TO HAVE!



*I am very glad that you have invested in the Saunum device, and I believe that our innovative technology will offer you a wonderful and extraordinary sauna experience.*

I have a degree in thermal engineering and come from Southern Estonia, where my love for saunas began. The special feature of local historic smoke saunas is the lower temperature and higher humidity level than, for example, a classic Finnish sauna. In ordinary saunas, the stone volume of the sauna heater is generally small. Such an arrangement can cause a sudden, burning hot steam and an extremely uneven temperature, where your head and shoulder level is really hot, but your feet are left cold. Such an experience can be quite unpleasant and may cause headaches and lead to body stress. However, in ancient smoke saunas and Native American saunas, the stones were first heated during the day. Then the heat stored in the stones was used to cleanse the body and create a truly enjoyable sauna experience.

Inspired by the experience of a smoke sauna, I wanted to create an innovative solution that combines the best features of an authentic sauna with modern technology, enabling a pleasantly mild and relaxing sauna experience without painfully scorching steam. For that, however, I had to solve the problem of how to achieve an even temperature, at both the head and foot levels. My development work was supported by research done alongside Tallinn University of Technology,

Sa

in which we analysed the thermal stratification and air movement in the sauna room. Saunum was born in cooperation between scientific thinking and technological innovation.

Saunum's unique patented mixing system of air layers captures the hot steam that rises under the ceiling of the sauna room, mixes it with the cooler air from the surface of the floor, and directs the milder steam back evenly. This makes for an enjoyable, unaggressive heat. You can sit in the sauna feeling comfortable, and enjoy a sweat and a deep cleanse without getting tired. The stone volume of our heaters is significantly larger than other sauna heaters, which is the reason for the especially pleasant indoor climate with long and soft steam.

A moist steamy sauna, a sanarium, a therapeutic salt sauna, or a healthy aroma sauna – all of these functions are available on Saunum's devices to create a truly relaxing sauna experience. When using Himalayan salt balls in our device, salt ions that are beneficial to the skin and respiratory tract evaporate and the steam circulates these into the air. Adding a sauna aroma system that blends steam and healthy aroma oil creates an even more enjoyable sauna environment.

Saunum's sauna devices are suitable for both adults and children.

**Have a pleasant sauna!**

Andrus Vare  
The creator of Saunum



Saunum **congratulates you** on choosing a heater with an innovative sauna climate device by Saunum.



## CONTENTS

Safety information _____	10
<b>INSTRUCTIONS FOR USE</b>	
Heating the sauna room _____	12
Using the sauna climate device _____	12
Adjusting the temperature _____	13
Adjusting the sauna climate _____	13
Use of Himalayan salt balls _____	13
Throwing water on the heater _____	14
Warnings _____	14
Solving problems _____	15
Loading the stones _____	17
Maintenance of the sauna climate device _____	17
Sauna room _____	19
Sauna room ventilation _____	19
Power of the heater _____	20
<b>INSTALLING</b>	
Before the installation _____	22
Heater floor stand _____	23
Dimensions _____	24
Product completeness _____	26
Parts of the device _____	27
Installation instructions _____	28
Electrical connections _____	35
Installing and replacing the heating elements _____	39
Warranty _____	41
<b>Installation report</b> _____	43



**SAFETY**  
INFORMATION

These instructions for installation and use are intended for the sauna owner or maintenance provider, as well as the electrician responsible for installing the heater with a sauna room climate device. After installing the heater with a climate device, the instructions must be handed over to the owner or maintenance provider.

Before using the **Saunum Premium** heater with a climate device (hereinafter 'sauna climate device'), read the installation and safety instructions.

The sauna climate device is intended for heating the sauna room at 60–100 °C and for adjusting the sauna room climate during steaming.

**NB! The sauna climate device and the**

**heater must not be operated in temperatures exceeding 100 °C!**

**NB! The sauna climate device Saunum Premium is designed to be used together with the LEIL control unit at temperatures of up to 100 °C.**

**NB! If the sauna climate device Saunum Premium is used together with control units by any other manufacturer, the temperature should not exceed 90 °C!**

**NB! This manual is applicable only to private saunas. Special conditions apply for public saunas, which should be specified with the manufacturer.**

**NB! The manufacturer is not responsible for incorrect use of the device!**

**NB! Do not use the sauna climate device for any other purposes!**

**NB! To connect the sauna climate device**

**to the power network, a control device for the control of electric heaters is required. The control device must correspond to the power of the heater used according to Table 1.**

The control device must have the ability to control the fan of the sauna climate device, and the function of simultaneously switching off the heater and the fan is recommended.

**To ensure the longevity of the device, make sure that the temperature of the sauna room at the height of the lower part of the device does not exceed 80 °C.** If it is exceeded, the thermal protection will be applied and the fan will stop; the fan will start running again if the temperature drops below the fuse limit of the application.

The manufacturer is not responsible for any malfunction caused by an overrun of the authorized operating temperature.

Table 1.	DEVICE	POWER	PROTECTION 3 phase	POWER CABLE mm <sup>2</sup>		The minimum height of the ceiling	MINIMUM SAFE DISTANCE FROM THE HEATER	CUBIC SIZE OF THE SAUNA ROOM m <sup>3</sup>
				3 phase	1 phase/fan			
	Saunum Premium	6 kW	C10	5 x 2.5	5 x 0.75*	200 cm	50 mm from sides, 75 mm from the front, height to the ceiling 1000 mm (from the stones)	5–8
	Saunum Premium	9 kW	C16	5 x 2.5	5 x 0.75*	200 cm	50 mm from sides, 100 mm from the front, height to the ceiling 1000 mm (from the stones)	9–12

\* With Saunum control unit Leil min 5 x 0.75 mm<sup>2</sup> / with any other control unit 3 x 1.5 mm<sup>2</sup>

**NB! The maximum temperature at the height of the temperature sensor of the controller (30 cm+ from the heater and 5 cm from the ceiling) is 100 °C.**

Sa

## HEATING

### THE SAUNA ROOM

Before using the sauna climate device for the first time, make sure that:

- the electrical connections meet the requirements;
- the supply voltage corresponds to the nominal ratings allowed for the sauna climate device;
- the protective earth (PE) is in working order;
- the fasteners of the housing of the device are in order;
- the sauna climate device is properly attached to the wall and the wall can bear the weight of the device together with the stones;
- the over-current fuses are in working order;
- the fan rotor rotates smoothly;
- there are no tools or materials left inside the housing of the device after installation.

When switching the sauna climate device on, check:

- the direction of the air flow – the air intake from the upper and the output from the lower opening;
- that there is no vibration or excessive noise when the fan is running.

When the sauna climate device is switched on for the first time, the heater and the stones will emit an odour. The sauna room

must be properly ventilated to remove the odour.

If the power of the heater is suitable for the size of the sauna room, it takes 45–90 minutes in a properly insulated sauna room to reach the desired temperature. The stones are usually heated to the steam temperature at the same time as the sauna room.

Switch the fan on just before entering the sauna room – this will help to prevent the sauna bench from overheating and avoids excessive energy consumption. **Saunum's recommended temperature for sauna operation is 65 °C to 80 °C.**

## USING THE SAUNA CLIMATE DEVICE

**NB!** Before switching the sauna climate device on, always make sure that nothing is above or near it.

The operating time of the **Saunum Premium** sauna climate device can be adjusted by a separate control device.

- Do not connect the device directly to the mains!
- The sauna climate device must not be used if the components of its housing have been removed and/or the wiring diagram has been changed.
- Children should not be allowed to access or play with the sauna climate device.

Sa

- When switching the sauna climate device on and off, follow the instructions for use of the control device you are using.

**NB!** After using the sauna, make sure that all parts of the sauna climate device are switched off (both the heating and the fan have stopped).

## ADJUSTING THE TEMPERATURE

**NB!** It is recommended to keep the fan of the sauna climate device switched off during the heating of the sauna room!

In this case, the sauna room heats up faster and the sauna bench does not get too hot during the heating. To find the right setting, start testing at the lowest temperature and lowest air flow speed. If the temperature becomes too high while you are in the sauna room, reduce the maximum temperature or lower the speed of the fan of the climate device.

## ADJUSTING THE SAUNA CLIMATE

The amount of air circulation generated by the device is adjusted by a switch located on the front of the device, on the left of the lower part. The switch has four positions and may be turned both clockwise and counter clockwise. When the stripe on the

switch points to the left, the fan of the sauna climate device is switched off.

**The air flow speed** increases by turning the switch clockwise, you may choose between three different speeds. For adjusting the air temperature in the sauna room, there is a cooling damper on the left side of the flue plinth behind the stone basket (see page 27). It is recommended to keep the cooling damper 1/3 open. To cool the steam, try to open the damper little by little.

## USE OF HIMALAYAN SALT BALLS

The sauna climate device comes with Himalayan salt balls. The use of salt balls in the device is optional and does not affect the main function of the device.

The salt balls must be installed into the sockets between the air outflow grille and the fan. Make sure that the salt balls are installed correctly and do not impede the fan rotation.

To install or remove the salt balls, remove the air outflow grille (see page 34) and place the salt balls into their sockets. After installing or removing the salt balls, reposition the grille. The sauna climate device may only be used with the air outflow grille in place! Do not use/start the device if the salt balls get into the fan housing!

**NB!** The use of third-party salt balls is not covered by the device warranty.

Sa

### THROWING WATER ON THE HEATER

The air in the sauna becomes dry as it heats up. Therefore, it is necessary to generate steam to achieve a suitable level of humidity. The effects of heat and steam on people are different. When testing the different settings of the sauna climate device, you will find the most suitable combination of temperature and humidity for you.

**The volume of the sauna ladle should not exceed 0.2 litres. When throwing water, the amount of water should not exceed 0.2 litres, because by pouring too much water on the stones at once, some of it may be sprayed outwards in splashes of boiling water.**

Make sure that people are at a safe distance from the heater when creating steam! Hot steam and water splashes cause skin burns. The water to be thrown on the heater must meet the requirements for clean domestic water. Only fragrances specifically designed for a sauna may be used in the water. Follow the instructions on the package.

**NB!** Do not pour water into the ventilation openings of the sauna climate device!

### WARNINGS

- Staying in the sauna room for a long time raises your body temperature,

which may be dangerous to your health!

- Do not touch the hot heater – the stones and the outer surface of the heater may burn you!
- Do not leave children, disabled or sick people into the sauna room without supervision!
- Consult a doctor about medical contraindications to steam!
- Consult a doctor about medical contraindications to salt treatment!
- Make sure you are not allergic to salt treatment. Saunum is not responsible for the side effects of salt treatment!
- Consult a paediatrician or a family doctor about the presence of children in the sauna room!
- Be careful when moving in the sauna and sauna room, as the bench and the floor may be slippery!
- Do not go to the sauna under the influence of alcohol, drugs, or narcotics!
- Do not sleep in the hot sauna room!
- Sea air and humid climates may cause an oxide layer (rust) on the metal surfaces of the heater!
- Make sure you have proper ventilation in the sauna room. Saunum is not responsible for possible salt

Sa

corrosion of devices. If necessary, consult a specialist!

- Do not dry towels and clothes in the sauna room – this may cause a fire!
- Excessive moisture may damage the electrical equipment!
- There must be no obstructions closer than 50 cm in front of the fan opening!
- Sauna users must not keep their feet or other body parts closer than 50 cm to the fan!

**NB!** The electric heater requires a control panel and stones.

**NB!** Do not leave the fan of the climate device running when you are not in the sauna room – this will cause excessive energy consumption, and the sauna bench will become too hot!

### SOLVING PROBLEMS

**NB!** Contact a qualified service specialist to perform maintenance.

**In the case of any disturbances in the operation of the sauna climate device, the use of the device must be stopped immediately and the device must be inspected by a person authorised by Saunum.**

### THE SAUNA CLIMATE DEVICE DOES NOT HEAT OR BLOW AIR.

- Make sure that the heater fuses are in working order.
- Make sure that the power cable is connected.
- Make sure that the sauna climate device is switched on.
- Increase the maximum temperature in the sauna room.

### THE SAUNA ROOM HEATS UP SLOWLY. THE WATER THROWN ON THE STONES COOLS THEM DOWN QUICKLY.

- Make sure that the air circulation fan of the sauna climate device is switched off during heating.
- Make sure that the fuses of the climate device are in working order.
- Make sure that all heating elements are visibly hot (glowing) when the sauna climate device is operating.
- Increase the selected temperature on the control device.
- Make sure that the power of the heater is sufficient.
- Check the stones. Stones that are placed too tightly or have fallen down/are sinking closer to each other over time, or the wrong type of stone may hinder the air flow



Sa

through the heater and therefore reduce the heating speed.

- Make sure that the ventilation of the sauna room is correct.

**THE SAUNA ROOM HEATS UP QUICKLY, BUT THE TEMPERATURE OF THE STONES IS INSUFFICIENT. THE WATER THROWN ON THE STONES FLOWS DOWN.**

- Make sure that the power of the heater is not too high. If the power of the heater is suitable for the sauna room, it takes 45–90 minutes in a properly insulated sauna room to reach the desired temperature.
- Make sure that the ventilation of the sauna room is correct.
- Reduce the speed of the climate device fan.

**THE WALL COVERING OR OTHER MATERIAL NEAR THE HEATER BECOMES DARK QUICKLY.**

- Follow the safety distance requirements.
- Check the stones. Stones that are placed too tightly or have fallen down/are sinking closer to each other over time, or the wrong type of stone may hinder the air flow through the heater and therefore reduce the heating speed.
- Make sure that no heating elements are visible between the

stones. If the heating elements are visible, rearrange the stones so that the heating elements are completely covered.

**NB!** Too sparsely placed stones allow the heating elements to overheat and worsen the indoor climate of the sauna room. It may cause a fire hazard!

**THE WOODEN SURFACES OF THE SAUNA ROOM BECOME DARK OVER TIME.**

This process may be accelerated by:

- sunlight;
- heat from the heater;
- wall protectors (protection equipment has poor heat resistance);
- fine particles from the stones.

**THE HEATER SMELLS.**

- See section HEATING OF THE SAUNA ROOM page 12.
- A hot heater may amplify odours mixed with air, but this, however, is not caused by the sauna or the heater. Causes may include paint, glue, oil, scents, etc.

**THE SAUNA CLIMATE DEVICE IS MAKING NOISE.**

- There is always a certain noise when the fan is running. If it is not uniform and/or is accompanied by

Sa

a metallic sound, the fan is likely to need maintenance or repair. Check that there are no foreign objects in the air fan vents.

- Try switching the fan to a lower speed.
- Loud sounds are likely to be caused by stones cracking due to heat.
- Thermal expansion of the heater parts may cause noise when the heater warms up.

**LOADING THE STONES**

The way the stones are stacked has a great effect on the operation of the heater.

It is important to bear in mind:

- The diameter of the stones must be 5–10 cm;
- Only stones sold specifically for sauna use should be used in the heaters;
- Do not use light, porous ceramic "stones" or soft tiles in the heater. They do not store enough heat and can result in damage to the heating elements;
- Wash any dust off the stones before placing them in the heater.

**NB!** Always use high-quality polished sauna stones with Saunum devices. Fractured

stones with sharp edges can damage the heating elements and shorten their life.

When loading the stones, bear in mind the following:

- Do not allow the stones to fall into the heater.
- Do not force the stones between the heating elements.
- Do not allow the stones to rest on the heating elements with their own weight, but arrange them in the way that they support each other.
- Do not stack the stones on the heater.
- Do not place objects near the stone basket or the fan of the sauna climate device that may influence the amount or direction of the air flowing through the sauna climate device.

**MAINTENANCE OF THE SAUNA CLIMATE DEVICE**

Due to large temperature fluctuations, the stones tend to break down. The stones must be restacked at least once a year and even more frequently when the sauna is used often. When restacking the stones, remove any stone fragments from the bottom of

Sa

the heater and replace the broken stones with new ones. By monitoring this, the heating capacity of the heater remains optimal and the risk of overheating is avoided.

If you use Himalayan salt balls with the sauna climate device, it is recommended to inspect the salt balls once a year and, if necessary, replace worn and broken salt balls with new ones. Make sure that there are no foreign objects in the fan air vents of the sauna climate device.

**CAUTION!** Before the maintenance and the cleaning of the sauna climate device, disconnect the power supply of the device from the mains and wait until the moving parts of the device have stopped completely.

Before maintenance and cleaning of the sauna climate device, make sure that:

- the device is disconnected from the mains (in addition to the device's power switch, also by means of over-current fuses);
- the fan has stopped completely;
- the required occupational safety and personal protective equipment is used when performing the work;
- the connection cables are undamaged. In the event of damage, the damaged connection cables must be replaced with new ones by a qualified electrician in accordance

with the applicable standards and requirements before continuing maintenance and cleaning.

The housing of the device can be cleaned with a damp cloth. Do not use pressure washers, running water, chemical cleaners, or solvents to clean the housing!

Use a 10% citric acid solution to remove scale, and rinse with water.

Excessive dirt can unbalance the rotor of the fan, causing increased noise when operating the sauna climate device. Noise may also increase due to damage/bending of the fan blades. Make sure that there are no foreign objects or salt balls in the working area of the fan rotor.

Generally, the fan does not need to be cleaned more than once a year. The fan may only be cleaned by a person authorised by Saunum.

Using compressed air to clean the fan can permanently damage the fan rotor!

The fan bearings are maintenance-free and must be replaced if problems occur.

It is recommended to check all of the electrical connections of the sauna climate device at least once a year. This may be done by a qualified person only.

Sa

## SAUNA ROOM

A prerequisite for the installation of the sauna climate device is a properly prepared sauna room. The thermal insulation of the walls and ceilings must be appropriate, otherwise it will take too much time and energy to heat the room. The power supply cables for the heater and the fan must be indicated on the electrical connection board in accordance with Table 1 (see pages 10–11).

## SAUNA ROOM VENTILATION

The air in the sauna room must change at least six times an hour.

When using a mechanical air extraction outlet, locate the air intake above the sauna climate device. When using natural air extraction outlet, locate the air intake under or next to the sauna climate device. The air intake pipe must have a diameter of 80 to 100 mm.

Install the air outlet near the floor, as far as possible from the sauna climate device. The diameter of the air outlet pipe must be twice the diameter of the air intake pipe. If the air outlet is in the washroom, there must be a gap of at least 100 mm under the sauna room door.

**Exhaust ventilation in the sauna room is mandatory.**

The vent hole for drying (optional) must be installed in the ceiling near the wall opposite to the sauna climate device (closed during heating and use of the sauna). The sauna can also be dried by leaving the door open after use.

The sauna's ventilation system should preferably prevent the outlet air of the sauna from entering other rooms, especially when using the sauna climate device with salt balls.

Sa

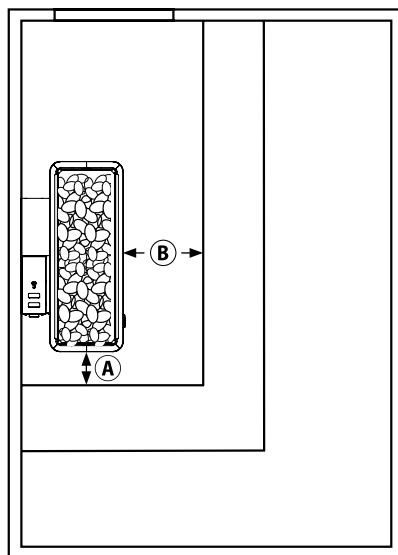
**POWER OF THE HEATER**

If there is sufficient insulation behind the wall and ceiling covering, the power of the heater is determined by the volume of the sauna room. Non-insulated walls (brick, glass block, glass, concrete, floor tiles, etc.) need a more powerful heater. Add 1.2 m<sup>3</sup> to the volume of the sauna room for each square metre of uninsulated wall.

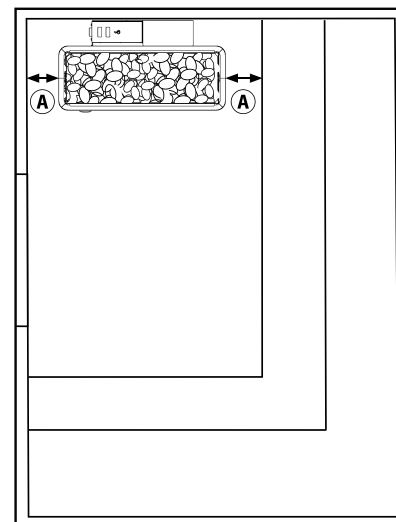
**For example**, a 10 m<sup>3</sup> sauna room with a glass door corresponds to the capacity requirement of a 12 m<sup>3</sup> sauna room. If the sauna room has log walls, multiply the volume by 1.5. The optimal sauna room sizes for the sauna climate device Saunum Premium are given in Table 1 (see pages 10–11). The height of the sauna room is usually 2100 mm to 2300 mm.

The minimum height when installing the sauna climate device Saunum Premium is 2000 mm.

**Safety distances of the Saunum Premium device and the recommended location in the sauna room.**

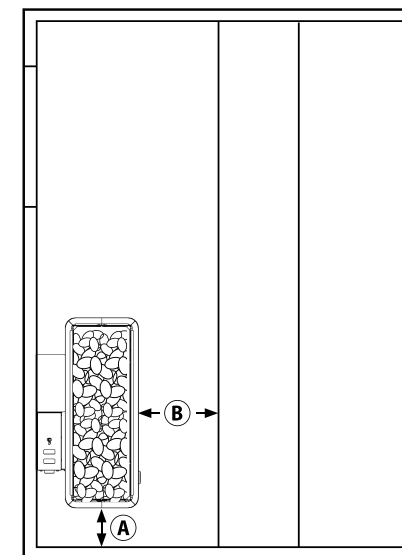
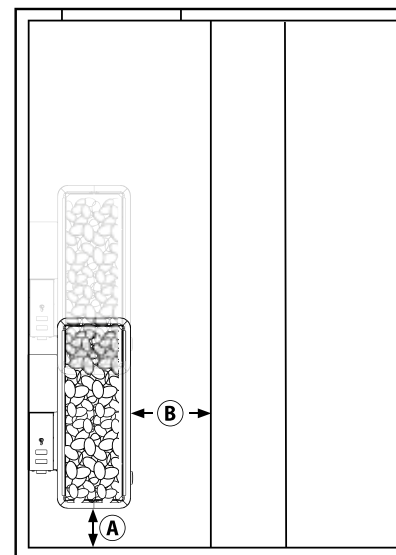


Sa



- Saunum Premium 6 kW – A minimum 50 mm and B minimum 75 mm.
- Saunum Premium 9 kW – A minimum 50 mm and B minimum 100 mm.

**The device can be placed with its backside against the sauna room's wall material!**



Sa

## BEFORE THE INSTALLATION

The installation of the sauna climate device must be performed by a qualified electrician. The connection of the device must be performed in a stable location with a cable that meets the temperature conditions. Protective earthing (PE) must be connected to the connection terminal of the device, with the cross-sectional area of the cable being at least 2.5 mm<sup>2</sup>. The device must be powered from the control device's supply circuit, which is protected by over-current fuses. The required over-current fuse sizes and the connection cable dimensions are given in Table 1 (see pages 10–11).

All the certified sauna control devices with the operating capacity corresponding to the Saunum Premium model used in accordance with Table 1 (see pages 10–11) may be used to control the sauna climate control device.

**Before starting the installation work, read the installation instructions and pay attention to the following:**

- The power and type of the heater are suitable for the given sauna room. The recommended sauna room volume is given in Table 1 (see pages 10–11).
- The supply voltage is suitable for the sauna climate device.

- At the installation site of the sauna climate device, the minimum safety distances given in Table 1 (see pages 10–11), measured from the heater housing, are guaranteed.
- The dimensions of the models (wall-mounted and with the floor stand) are given on page 24 (DIMENSIONS).
- It must also be ensured that the upper edge of the fan outlet is lower than the lower edge of the bench.
- There must be no obstructions in front of the air outlet from the device, the exhaust air must be able to flow freely across the sauna room.
- The device works most efficiently when its flue cap is installed against the ceiling of the sauna room and the exhaust air is directed under the bench.

However, the device must not be positioned so that the upper edge of the heater is higher than 80 cm from the floor. The device is designed for wall mounting with 6 mm (lower part) and 5 mm (flue cap) screws.

**The wall of the installation placement of the sauna climate device must bear a weight of at least 130 kg.**

The type of anchors must be selected according to the characteristics of the load-bearing structure. The mounting

Sa

method must ensure that the device stays firmly on the wall!

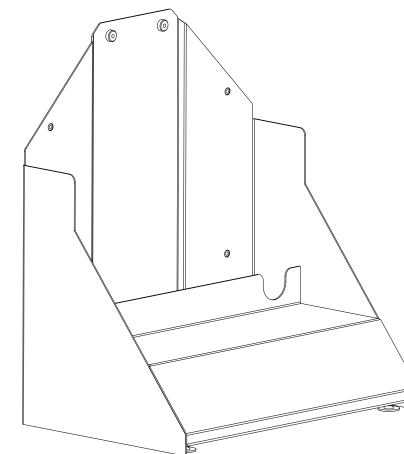
**Safety distances must be complied with unconditionally, as failure to do so may result in a fire hazard. Only one sauna climate device may be installed in the sauna room.**

## HEATER FLOOR STAND

In cases where it is not possible to attach the Saunum Premium to the wall (for example, the wall cannot withstand the weight of the heater with stones or the device would be mounted against a glass wall), a special floor stand can be attached to the heater (see INSTALLATION INSTRUCTIONS, page 30). The floor stand is not included in the standard set, it must be ordered separately from the dealer.

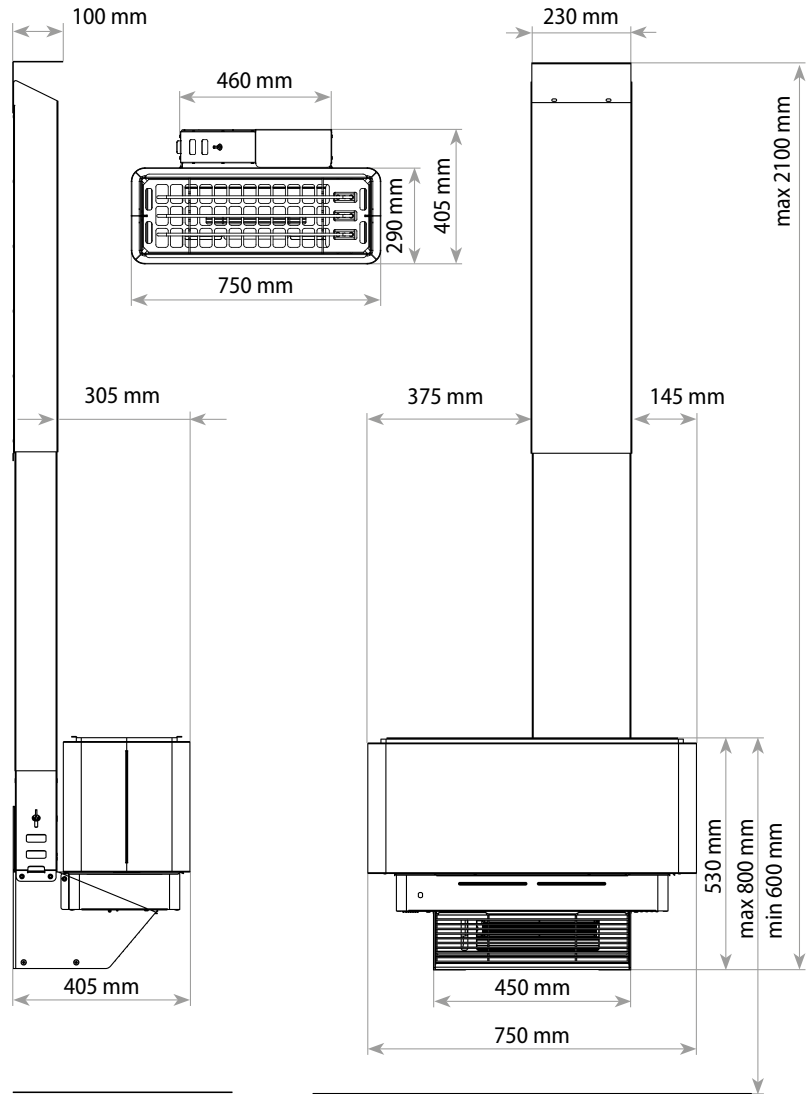
The device with the floor stand is not intended for free-standing use in the middle of a room and must not be used in such a manner. The floor stand should be placed on a level floor with its back against the wall and anchored firmly to the wall. The feet must be adjusted so that the device is level.

It is recommended to use the sauna climate device with safety railings to prevent burns due to contact with the heater. If the stand cannot be anchored to the wall with screws (for example if there is a glass wall), the railings are mandatory.



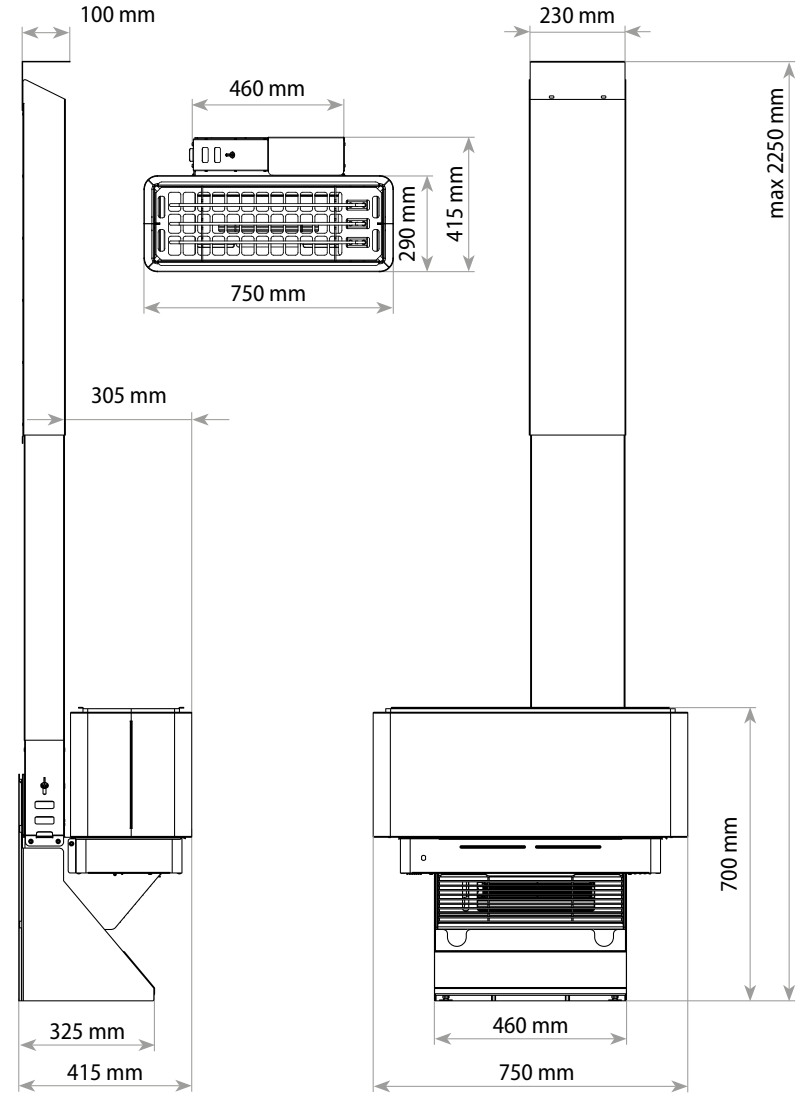
Sa

Saunum Premium



Sa

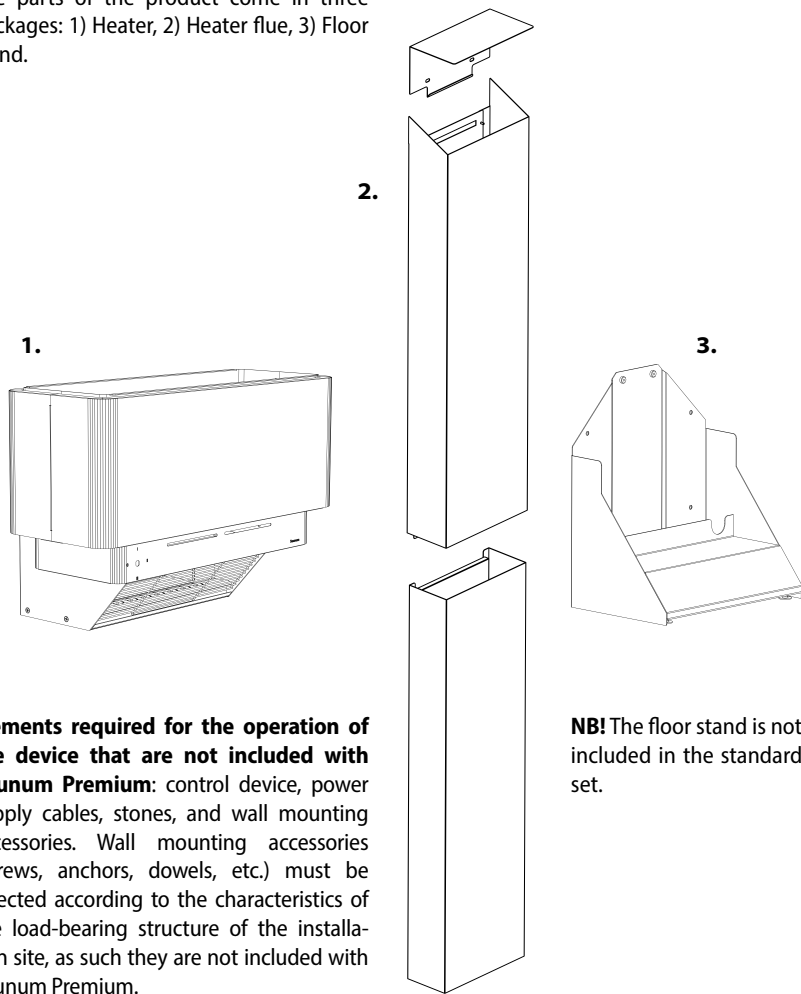
Saunum Premium with the floor stand (optional)





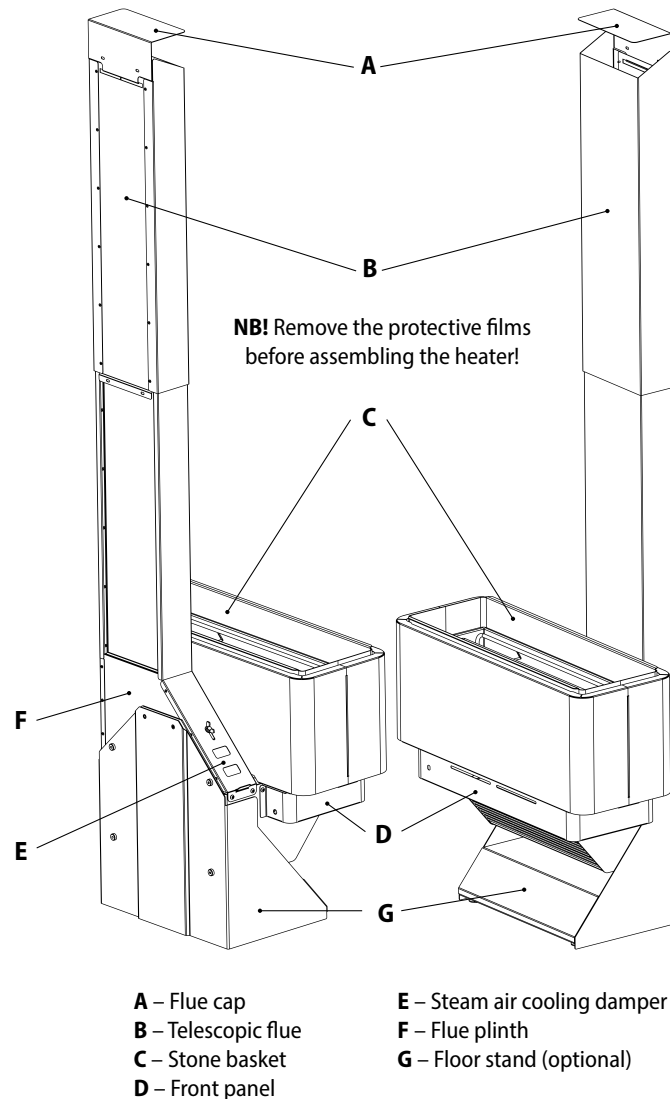
**PRODUCT COMPLETENESS**

The parts of the product come in three packages: 1) Heater, 2) Heater flue, 3) Floor stand.



**Elements required for the operation of the device that are not included with Saunum Premium:** control device, power supply cables, stones, and wall mounting accessories. Wall mounting accessories (screws, anchors, dowels, etc.) must be selected according to the characteristics of the load-bearing structure of the installation site, as such they are not included with Saunum Premium.

**NB!** The floor stand is not included in the standard set.

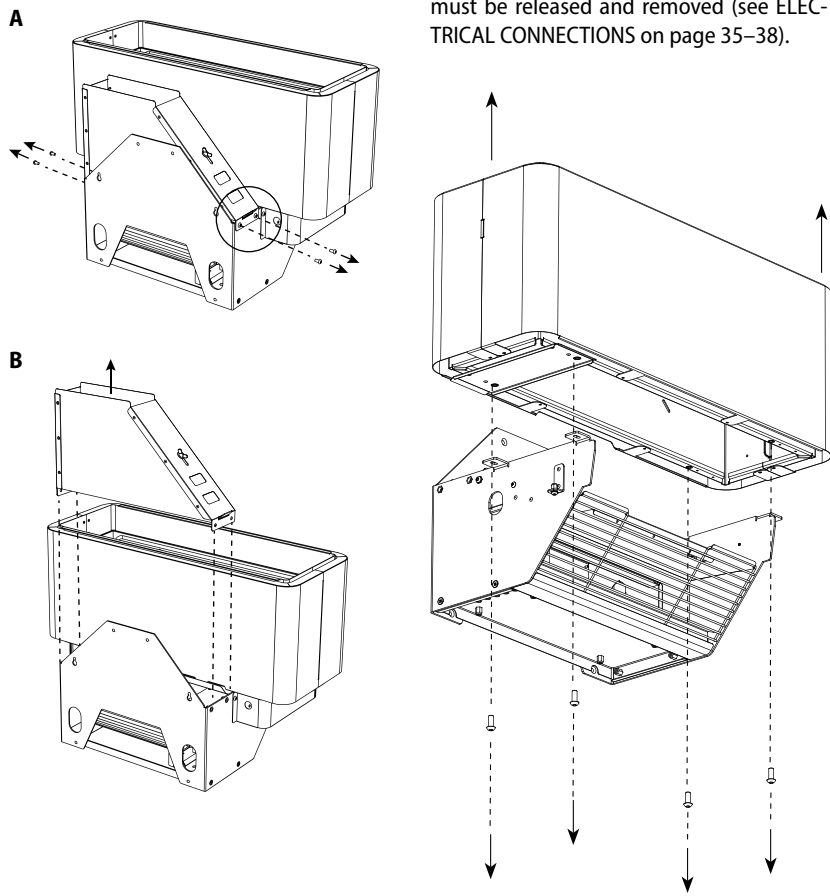


- A – Flue cap
- B – Telescopic flue
- C – Stone basket
- D – Front panel
- E – Steam air cooling damper
- F – Flue plinth
- G – Floor stand (optional)

Sa

**WALL MOUNTING**

1. Loosen four retaining bolts (A) holding the flue plinth and lift off the flue plinth (B).

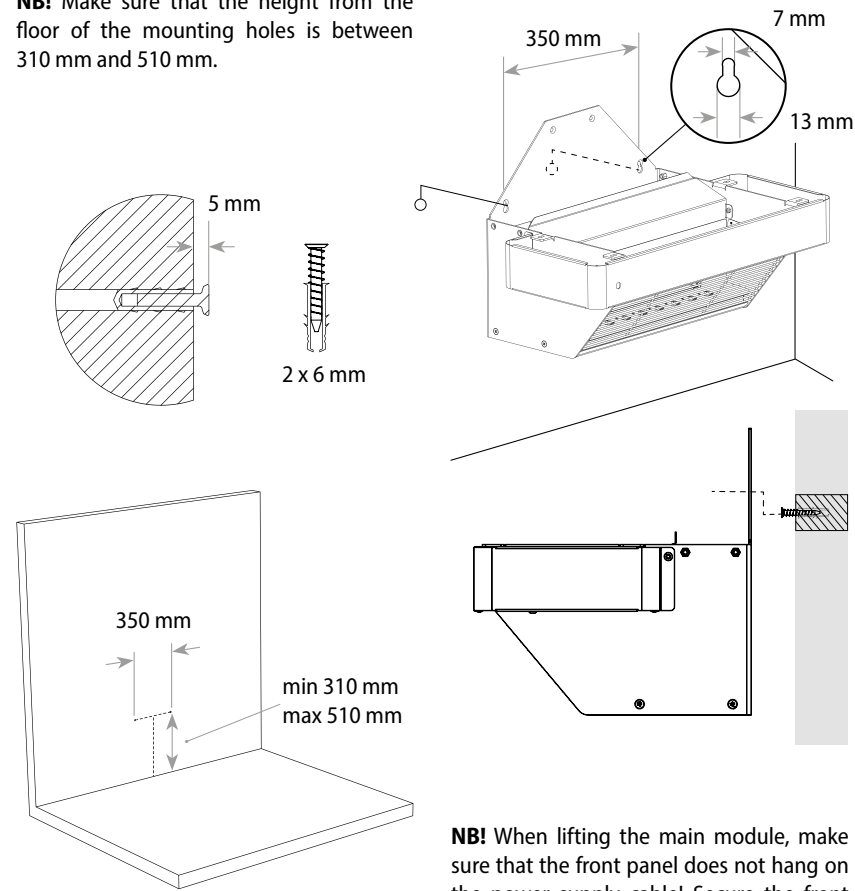


2. Separate the stone basket from the main module. If the stone basket is already bolted to the main module, loosen the bolts (4 pcs.) under the bottom of the stone basket and then lift the stone box off. For access to the rear bolts, the front panel must be released and removed (see ELECTRICAL CONNECTIONS on page 35–38).

Sa

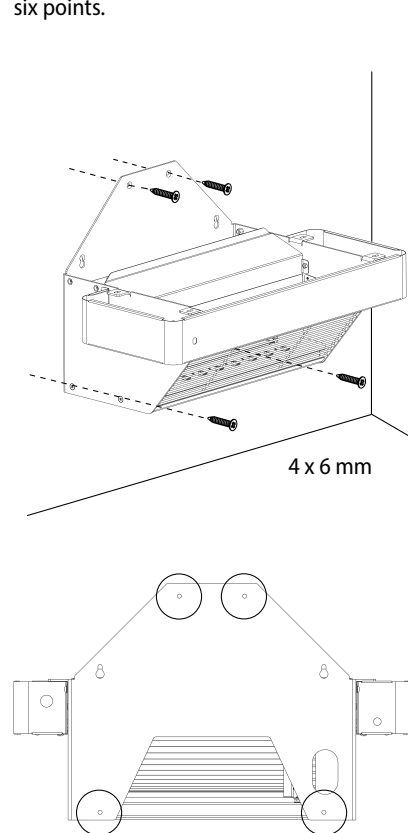
3. Tighten the screws for the middle holes of the wall mounting to the wall, leaving them protruding by 5 mm.

**NB!** Make sure that the height from the floor of the mounting holes is between 310 mm and 510 mm.

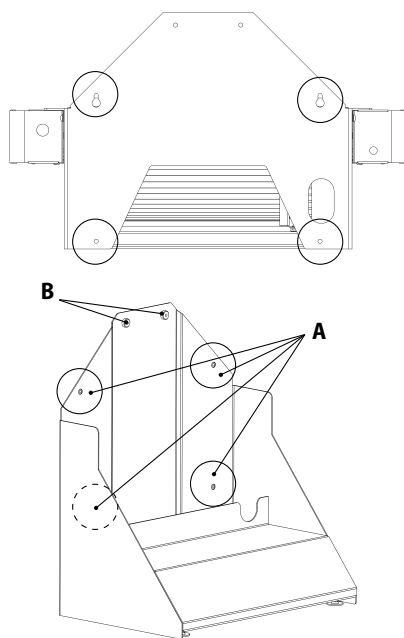


Sa

5. Screw the remaining four mounting screws into the upper and lower mounting holes and affix the device to the wall with them. The device is now fixed to the wall at six points.



5.1. Version with the **floor stand** (see HEATER FLOOR STAND page 23). Fix the device to the floor stand with four bolts (A).

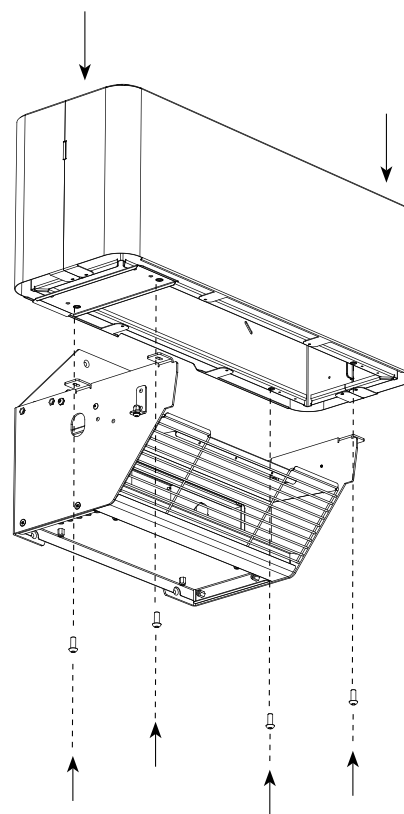


Then set the device in place. The floor stand must be installed on a level floor, with its back against a wall. Adjust the feet so that the device is level.

**NB!** The device must be anchored to the wall through its two upper mounting holes (B) to prevent it from tipping over! If the sauna climate device cannot be anchored to the wall, it is mandatory to use safety railings around the heater!

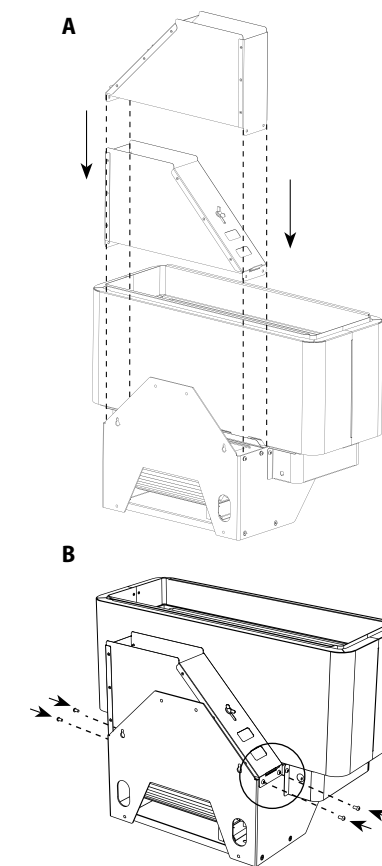
Sa

6. Set the stone basket back in place and affix it with four bolts.



7. Set the flue plinth back in place (A).

**NB!** The flue plinth can be installed in two positions so that the flue is to the left or to the right of the heater, this can be selected by the installer. Affix it with four bolts (B).





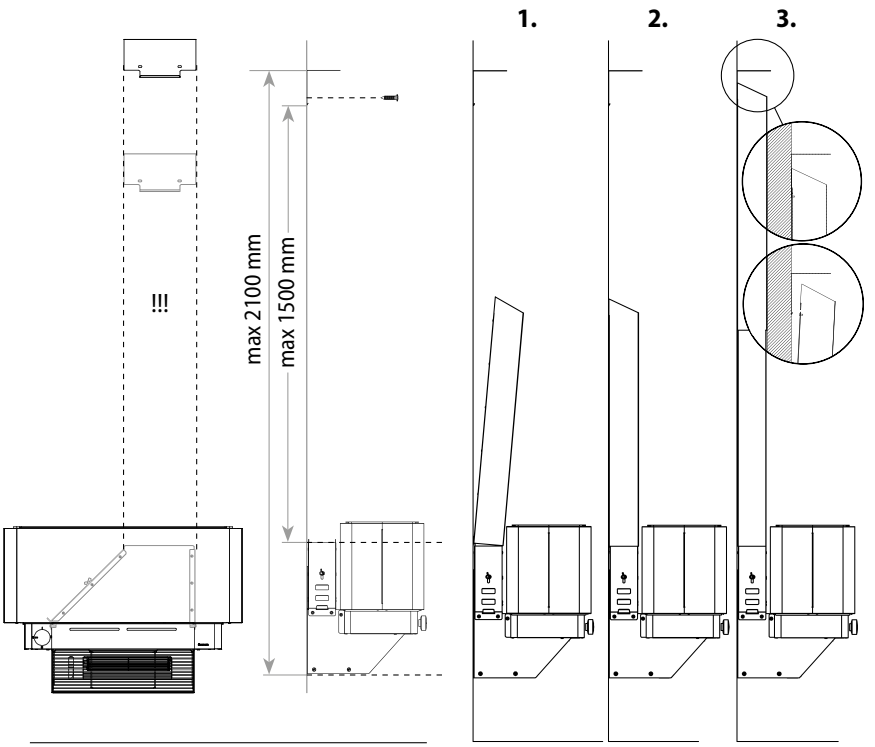
Sa

8. Fasten the flue cap to the ceiling of the sauna room with two 5 mm screws.

**NB!** Make sure that the flue cap aligns with the opening in the flue plinth!

9. Place the lower end of the flue on the plinth (1.).

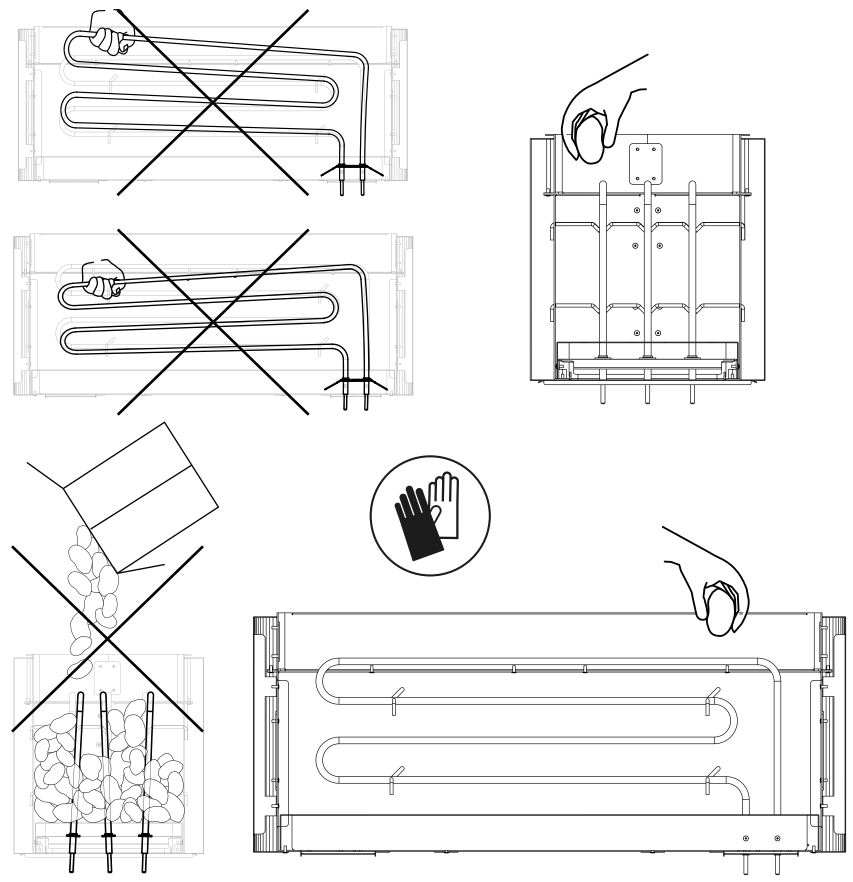
10. Join the upper and lower parts of the flue and hang the upper part to the flue cap (2., 3.).



Sa

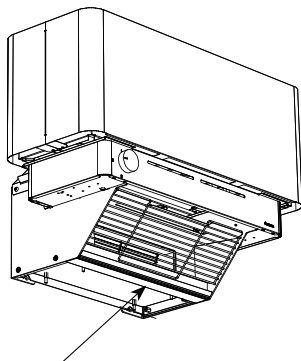
11. Install the support rods of the heating elements (see INSTALLING AND REPLACING THE HEATING ELEMENTS page 39).

12. Fill the stone basket with stones (see LOADING THE STONES page 17).



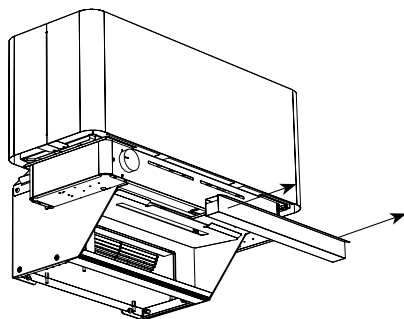
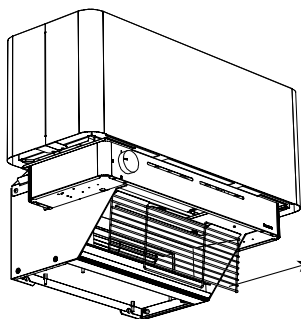
Sa

13. Install the salt balls (see USE OF HIMALAYAN SALT BALLS page 13).



Remove the air outlet grille, lifting it off (see the direction on the schematics) and place the salt balls into their sockets. After installing or removing the salt balls, reposition the grille.

**The sauna climate device may only be used with the air outflow grille in place!**



Sa

## ELECTRICAL CONNECTIONS

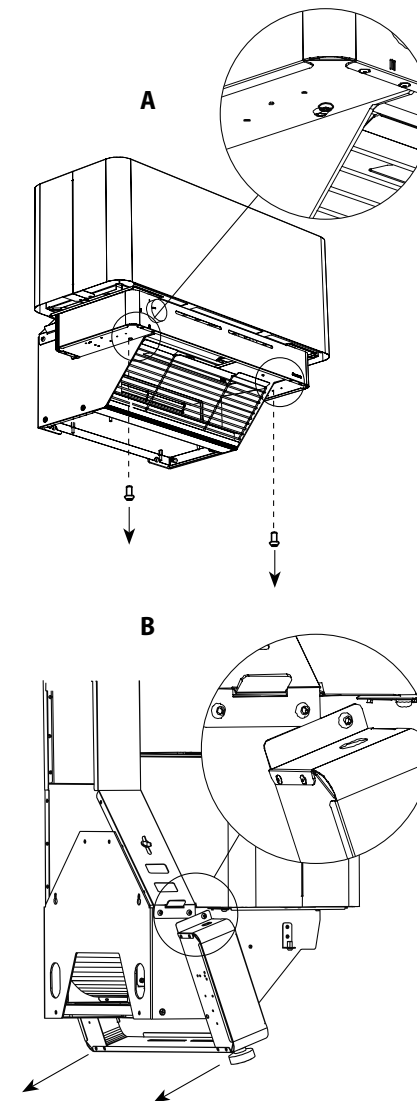
Connect the **heating elements** according to the wiring diagram on page 36.

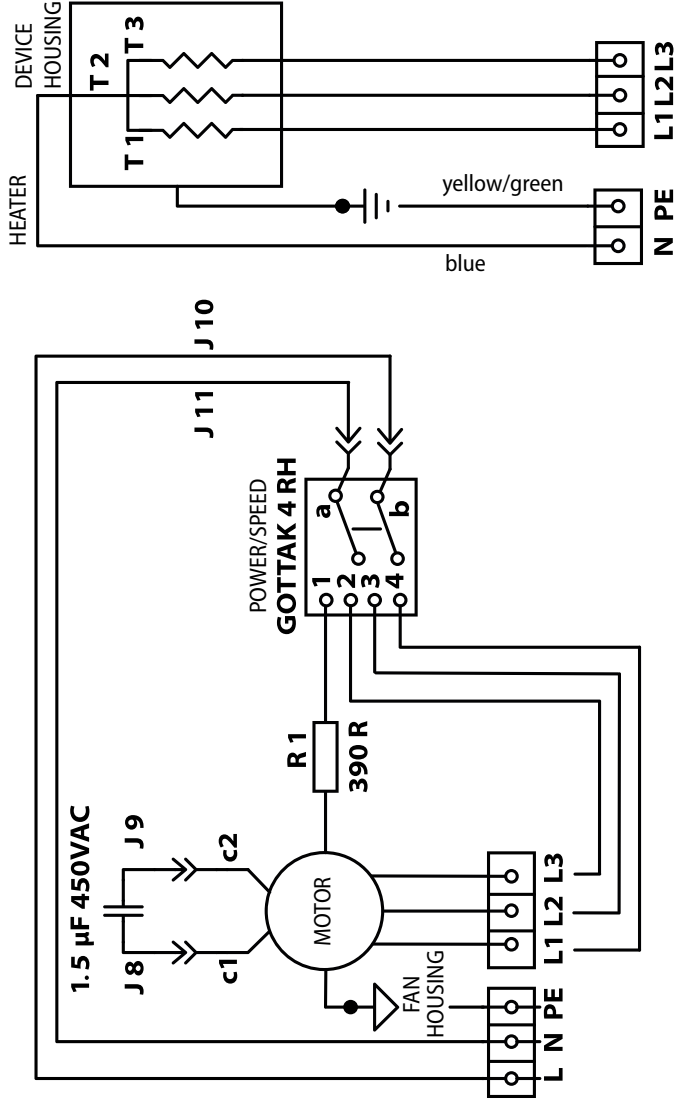
Connect the sauna climate device to the control device.

**The electrical connection of the device must be performed by a qualified electrician in accordance with the applicable standards and requirements. Before making any electrical connections, make sure that the automatic circuit breaker of the device is switched off from the electric panel!**

The sauna climate device must be connected in a semi-stationary position to the junction box on the wall of the sauna room. The junction box must be splashproof and its maximum height from the floor can be up to 500 mm.

The connection cable must be a rubber insulated type H07RN-F cable or equivalent. To access the electrical connections of the device, it is necessary to open the front panel under the stone basket. To remove the panel, loosen the two bolts under the device completely (see figure A to the right). For more comfortable access loosen the bolts on the sides as well (B).





WIRING DIAGRAM

230 VAC FAN POWER SUPPLY TERMINAL

NB! CONNECTING IS PERMITTED ONLY THROUGH A SAFETY OR CONTROL DEVICE!

230/400 VAC HEATER POWER SUPPLY TERMINAL

NB! CONNECTING IS PERMITTED ONLY THROUGH A CONTROL DEVICE! DO NOT CONNECT THROUGH A RESIDUAL-CURRENT DEVICE!

Sa

Sa

**NB! Due to the potential danger of thermal embrittlement, it is forbidden to use a PVC-insulated cable as the connection cable for the sauna climate device.**

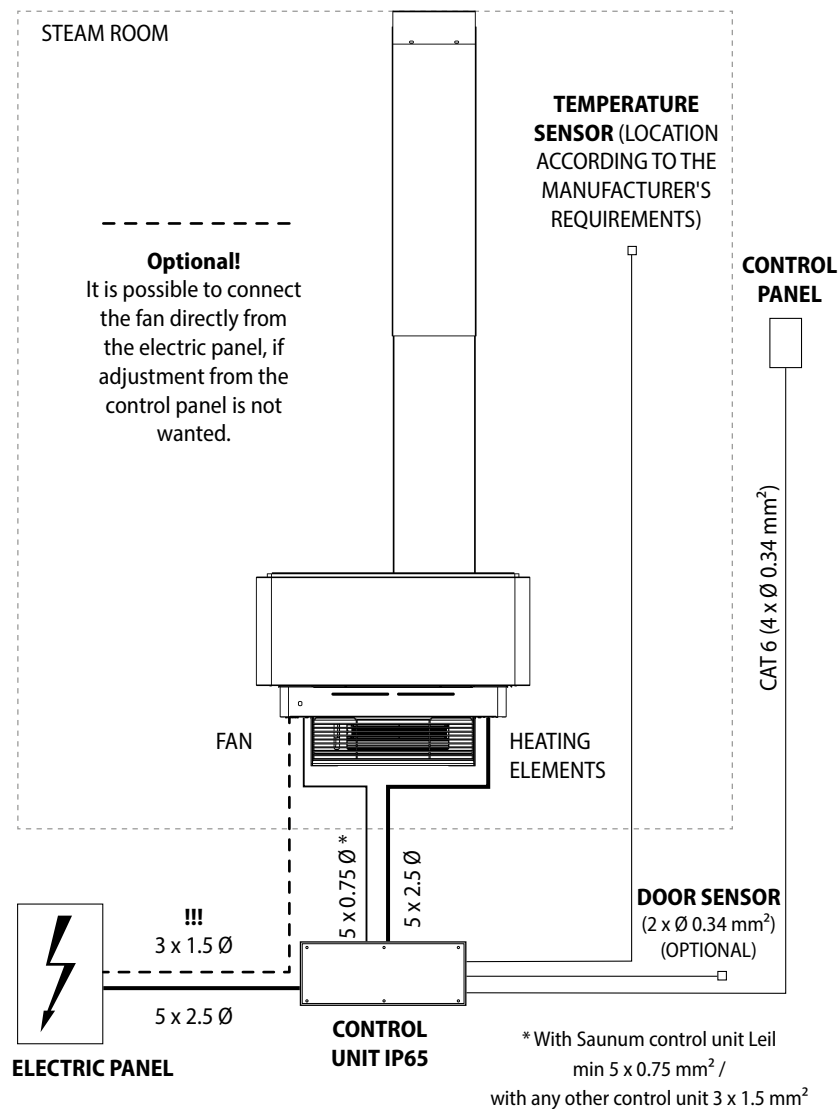
- The internal connections of the device are made by means of screw terminals according to the wiring diagram (page 36) and Table 1 (pages 10–11) in this manual.
- Protective earthing (PE) must be connected to the connection terminal of the device, with the cross-sectional area of the cable being at least 2.5 mm<sup>2</sup>.
- The heater must be powered from the 380 VAC (3-phase) or 230 VAC (1-phase) 50/60 Hz supply circuit through a control device protected by an over-current fuse of the size shown in Table 1 (pages 10–11).
- If you want to connect the air circulation fan of the device separately from the heater control device, the fan must be connected via a residual-current device. In this case, the protective earthing (PE) of the fan supply input terminal of the sauna climate device must not be brought into contact with the protective earthing of the heater supply input terminal. In this case, use earthed cables of at least 1.5 mm<sup>2</sup> to power the fan.
- The power cable must enter the housing of the sauna climate device so that the water does not flow along

- the cable into the electrical connection box of the housing of the sauna climate device. The outer insulation of the cable can only be peeled off only from the part that is in the device housing.
- If the connection and installation cables are located higher than 1000 mm from the floor of the sauna room or inside the walls of the sauna room, they must be able to withstand a temperature of at least 170 °C (e.g., SSJ). Electrical equipment installed in the steam room below 1000 mm must withstand a temperature of at least 125 °C (e.g., T125).
- The recommended cross-section of the connection cable grooves is given in Table 1 (pages 10–11).

**NB! The device may only be connected to the power network by a qualified electrician in accordance with the regulations in force!**



POWER CABLES FOR SAUNUM PREMIUM



INSULATION RESISTANCE OF THE ELECTRIC HEATER

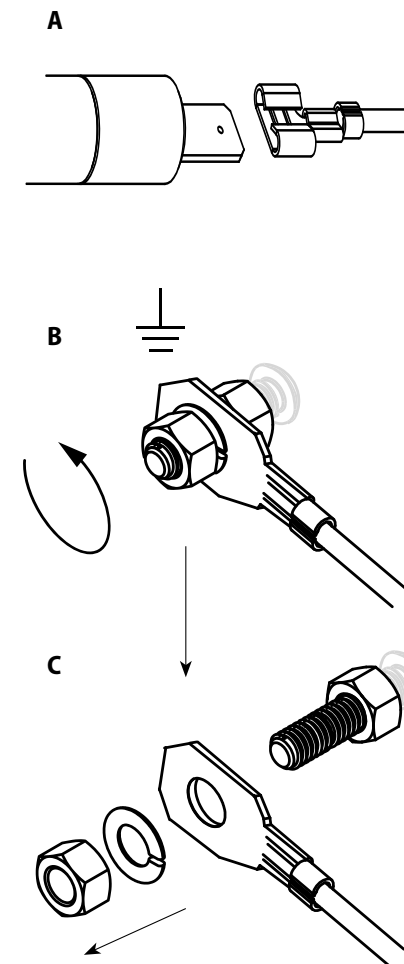
During the final inspection of the electrical installation, a leakage may be detected when measuring the insulation resistance of the sauna climate device, which has occurred due to the insulation material of the heating elements absorbing moisture from the air (during storage or transport). After a few uses of the sauna climate device, this moisture will disappear.

**NB! Do not connect the heater to the mains via a residual-current device!**

INSTALLING AND REPLACING THE HEATING ELEMENTS

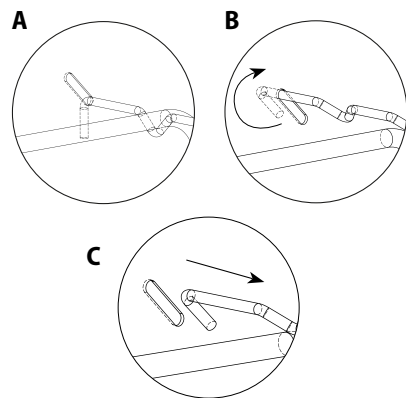
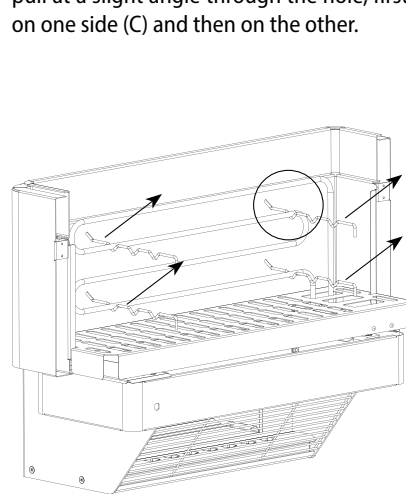
**NB! Before replacing the heating elements, make sure that the automatic circuit breaker of the device is switched off from the electric panel!**

The heating elements are connected to the device via cable terminals (A). It is necessary to disconnect the cable terminals (6) before removing the heating elements. Disconnect the protective earthing from the heater bolt (B, C).

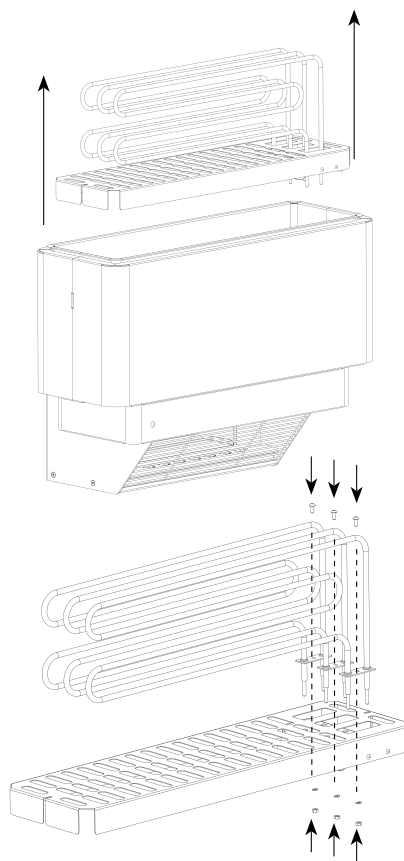


Sa

Then remove four supporting rods of the heating elements (A). To do this, turn the rod so that the bent end of the rod is parallel to the hole of the housing (B), and then pull at a slight angle through the hole, first on one side (C) and then on the other.



It is now possible to lift the heating elements out of the stone basket along with the base plate. The heating elements are bolted to the base plate.



When the heating elements are replaced, fasten everything in reverse order.

Sa

## GENERAL WARRANTY CONDITIONS OF SAUNUM PRODUCTS

With the Saunum device warranty, starting from date of purchase, Saunum guarantees that the product will be free from defects in the materials and assembly for a specified period. If, during the warranty period, the device is found to be defective due to the use of substandard materials or the quality of the assembly, Saunum's recommended repair partners will repair or replace the device or its defective part without charge for labour and parts under the conditions set out below. Saunum reserves the right to decide whether to replace the defective product component or to replace the device with a new one. The replaced defective product components remain the property of Saunum.

### Warranty conditions:

1. The warranty is only valid if a completed installation report is submitted with the claim.
2. The device has been connected to the power network by a qualified electrician in accordance with the regulations in force.
3. The warranty period of the sauna climate device when used in a private sauna is two (2) years.

4. The warranty period of the sauna climate device when used in a public sauna is one (1) year.

### Not covered by the warranty:

1. Routine maintenance and cleaning of the device and replacement of the components due to normal wear and tear.
2. Adaptation or modification of the device for any purpose other than that indicated in the instructions for use.
3. Risks arising from transport.
4. Damage resulting from the misuse of the device.
5. Damage resulting from the improper installation of the device;
6. Repairs to the device not carried out by Saunum's recommended repair partner (maintenance partner).
7. Accidents, lightning, water, fire, improper ventilation, or any other factor beyond the control of Saunum.
8. Breakages caused by the use of stones and salt balls not recommended by Saunum.
9. The heating elements and the salt balls.



You can find the list of Saunum Saunas OÜ's recommended installation and maintenance professionals on the Saunum Saunas OÜ website [www.saunum.com](http://www.saunum.com) or by contacting us at [info@saunum.com](mailto:info@saunum.com)

Saunum's device maintenance instructions can be found in the instructions for use.

**NB!** The sauna climate device may only be connected to the power network by a qualified electrician in accordance with the regulations in force.

Read all of the instructions for use carefully and thoroughly **before using the device** and keep them in a safe and easily accessible place for future reference.



### INSTALLATION REPORT

Date of purchase: \_\_\_\_\_

Heater type: \_\_\_\_\_

Sticker/serial number:  Date of installation: \_\_\_\_\_

Place of installation: \_\_\_\_\_

Installed by: \_\_\_\_\_

Checked by: \_\_\_\_\_

Date, signature: \_\_\_\_\_

Description of works completed: \_\_\_\_\_

All the components for the installation are available \_\_\_\_\_

There are no colour defects or dents \_\_\_\_\_

Installed on the wall or on the floor according to the instructions \_\_\_\_\_

The electrical connections are made according to the installation instructions \_\_\_\_\_

All the heating elements heat up \_\_\_\_\_

The three fan speeds are working / in the correct order \_\_\_\_\_

Notes: \_\_\_\_\_

Customer's contact (name, email): \_\_\_\_\_

Work accepted: \_\_\_\_\_



EC declaration of conformity

Manufacturer: Saunum Saunas OÜ

Address: Suur-Paala 19

11415 Tallinn, Estonia

certifies that the product:

**Sauna room heater  
with climate device  
Saunum Premium**

complies with the requirements of the following directives of the Council of Europe, provided that the installation has been carried out in accordance with the installation instructions issued by the equipment manufacturer and the standard EN 60204-1 "Safety of the machinery. Electrical equipment of machines – Part 1:

General Requirements":

Machinery Directive 2006/42/EC

Low Voltage Directive 2014/35/EU

Electromagnetic Compatibility Directive 2014/30/EU



# Saunum

Leiliruumi sisekliimaseadmega keris

**Saunum Premium**

Sa

## PARIMAIID SAUNAEELAMUSI!



*Mul on väga hea meel, et oled investeerinud Saunumi seadmesse, ning usun, et meie uudne tehnoloogia pakub Sulle positiivselt üllatusliku saunakogemuse.*

Olen hariduselt soojusenergeetikainsener ning pärit Lõuna-Eestist, kus sai alguse minu armastus saunatamise vastu. Siinse suitsusauna eripära on madalam temperatuur ja kõrgem õhuniiskuse tase kui näiteks klassikalises Soome saunas. Tavalistes saunades on üldjuhul saunakerise kivimaht väike, mis tekitab valusalt kõrvetava äkilise leili ning ääretult ebaühtlase temperatuuri, kus pea ja õlgade kõrgusel on kuum, aga jalgadel jahe. See on üsna ebameeldiv, tekitab peavalu ning viib keha stressi. Kuid juba iidsetes suitsu- ja indiaani saunades köeti kõigepealt päeva jooksul kivid kuumaks ning seejärel kasutati neisse salvestunud soojust keha puhastuseks ja saunamõnude tõeliseks nautimiseks.

Inspireerituna suitsusauna kogemusest soovisin luua innovaatilise lahenduse, mis kasutaks autentse sauna parimaid omadusi tänapäevase tehnoloogia võtmes ning võimaldaks nauditavalt mahedat ja pikka saunatamist ilma valusalt kõrvetava leilita. Selleks tuli aga lahendada probleem, kuidas saavutada ühtlane temperatuur nii pea kui ka jalgade piirkonnas. Minu arendustööd toetas koos Tallinna Tehnikaülikooliga tehtud teadustöö, kus analüüsisime temperatuuri kihistumist ja õhu liikumist saunaruumis. Teadusliku mõtteviisi ja tehnoloogilise innovatsiooni koostöös sündiski Saunum.

Sa

Saunumi seadmete unikaalne patenteeritud õhukihtide segamise süsteem haarab saunaruumi lae alla tõusnud kuuma leiliauru, segab selle pörandapinna jahedama õhuga ja suunab pehme temperatuuriga leili ühtlaselt tagasi. Nii ei ole soojus agressiivne. Sa saad mõnusalt saunas istuda ning aktiivselt higistada ja puhastuda, tundmata seejuures väsimust. Ka meie keriste kivimaht on üldjuhul oluliselt suurem teistest levinud saunakeristest, mis on mõnusa sisekliima, pika ja pehme leili alus.

Niiske aurune saun, sanaarium, teraapiline soolasaun või tervislik aroomisaun – kõik need funktsioonid on erinevaid seadistusi kasutades Saunumi seadmetel olemas, et luua tõeliselt lõõgastav saunaelamus. Tarvitades meie seadmetes Himaalaja soolapalle, viib leiliaur õhuringlusesse, nahale ja hingamisteedesse kasulikke soolaioone. Lisades saunaruumi-süsteemi, mis segab tervislikult leiliauru ja aroomiõli, lood veelgi nauditavama keskkonna.

Ja veel, Saunumi seadmetega saunad sobivad nii täiskasvanutele kui ka lastele.

### Mõnusat saunatamist!

Andrus Vare  
Saunumi looja ja idee autor



Sa

Saunum Saunas OÜ  
**tänab teid** innovatiivse  
 leiliruumi sisekliimaseadmega  
 kerise valimise eest!

Sa

## SISUKORD

Ohutusteave _____	50
<b>KASUTUSJUHISED</b>	
Leiliruumi kütmine _____	52
Saunakliimaseadme kasutamine _____	52
Temperatuuri seadistamine _____	53
Saunakliima reguleerimine _____	53
Himaalaja soolapallide kasutamine _____	53
Leiliviskamine _____	54
Hoiatused _____	54
Probleemide lahendamine _____	55
Kerisekivide ladumine _____	57
Saunakliimaseadme hooldamine _____	57
Leiliruum _____	59
Leiliruumi ventilatsioon _____	59
Kerise võimsus _____	60
<b>PAIGALDUS</b>	
Enne paigaldamist _____	62
Kerise põrandajalg _____	63
Seadme mõõdud _____	64
Toote kompleksus _____	66
Seadme osad _____	67
Paigaldusjuhend _____	68
Elektriühendused _____	75
Kütteelemendi paigaldus ja vahetus _____	79
Garantiitingimused _____	81
<b>Paigaldusprotokoll</b> _____	83

Sa



## OHUTUSTEAVE

Käesolev paigaldus- ja kasutusjuhend on mõeldud sauna omanikule või hooldajale, samuti leiliruumi sisekliimaseadmega kerise paigaldamise eest vastutavale elektrikule. Peale sisekliimaseadmega kerise paigaldamist tuleb juhend üle anda omanikule või hooldajale.

Enne Saunumi sisekliimaseadmega kerise **Saunum Premium** (edaspidi „saunakliimaseade“) kasutamist tuleb tutvuda paigaldus- ja ohutusjuhendiga.

Saunakliimaseade on ette nähtud leiliruumi kütmiseks 60–100 °C ja leiliruumi kliima ühtlustamiseks leilivõtmise ajal.

**NB! Saunakliimaseadet koos kerisega on keelatud kasutada temperatuuril üle 100 °C!**

Sa

**NB! Saunakliimaseade Saunum Premium on mõeldud kasutamiseks koos juhtseadmega LEIL kuni 100 °C juures.**

**NB! Teiste tootjate saunajuhtseadmetega on seadet Saunum Premium keelatud kasutada temperatuuril üle 90 °C!**

**NB! Siinne juhend kehtib ainult era-saunade kohta. Üldkasutatavatele saunadele kehtivad eraldi tingimused, mis tuleb tootjaga üle täpsustada.**

**NB! Tootja ei vastuta seadmete vale kasutamise eest!**

**NB! Saunakliimaseadme kasutamine muuks otstarbeks on keelatud!**

**NB! Saunakliimaseadme elektrivõrguga ühendamiseks on tarvis elektrikeriste juhtimiseks ette nähtud juhtseadet. Juhtseade peab vastama kasutatava kerise võimsusele vastavalt tabelile 1.**

Juhtseadmel peab olema suutlikkus saunakliimaseadme ventilaatori juhtimiseks, soovituslik on kerise ja saunakliimaseadme ventilaatori samaaegse väljalülitamise funktsioon.

**Seadme pikaajalise tagamiseks tuleb jälgida, et leiliruumi temperatuur seadme alumise osa kõrgusel ei ületaks 80 °C.** Selle ületamisel rakendub termokaitse ja ventilaator seiskub, temperatuuri langemisel allapoole kaitsme rakendumispiiri hakkab ventilaator taas tööle.

Tootja ei vastuta seadme rikke eest, mis on põhjustatud lubatud kasutustemperatuuri ületamisest.

Tabel 1.

SEADE	VÕIMSUS	KAITSE 3 faasi	TOITEKAABEL mm <sup>2</sup> 3 faasi	1 faas/ ventilaator	Minimaalne lae kõrgus	Minimaalne ohutuskaugus kerisest	Saunaruumi ruumala m <sup>3</sup>
Saunum Premium	6 kW	C10	5 x 2,5	5 x 0,75*	200 cm	külgedelt 50 mm, esiküljelt 75 mm, laeni (kõrgus kividest) 1000 mm	5–8
Saunum Premium	9 kW	C16	5 x 2,5	5 x 0,75*	200 cm	külgedelt 50 mm, esiküljelt 100 mm, laeni (kõrgus kividest) 1000 mm	9–12

\*Juhtseadmega Saunum Leil min 5 x 0,75 mm<sup>2</sup> / kõigi teiste juhtseadmetega 3 x 1,5 mm<sup>2</sup>

**NB! Maksimaalne temperatuur kontrolleri temperatuurinduri kõrgusel (30+ cm kerisest ja 5 cm laest) on 100 °C.**

Sa

## LEILIRUUMI KÜTMINE

Enne saunakliimaseadme esmakordset kasutamist veenduge, et:

- elektriühendused vastavad nõuetele;
- toitepinge vastab saunakliimaseadmele lubatud nominaalidele;
- maandusjuhe (PE) on töökorras;
- saunakliimaseadme korpuse kinnitused on korras;
- saunakliimaseade on korralikult seinale kinnitatud ja sein suudab kanda seadme massi koos kerisekividega;
- kasutusel on töökorras liigvoolukaitsmed;
- ventilaatori rootor pöörleb takistusteta;
- seadme korpusesse pole paigaldamisest jäänud tööriistu ega materjali jääke.

Saunakliimaseadme käivitamisel kontrollida:

- õhuvoolu suunda – õhu sissevõtt ülemisest ning väljapuhe alumisest avast;
- et ventilaatori töötamisel ei tekiks vibratsiooni või liiga valju müra.

Saunakliimaseadme esmakordsel sisselülitamisel eraldub küttekehast ja kividest lõhna. Lõhna eemaldamiseks tuleb leiliruumi korralikult ventileerida.

Kui kerise võimsus on leiliruumi jaoks sobiv, võtab õigesti isoleeritud leiliruumis

soovitud temperatuuri saavutamine aega 45–90 minutit. Kivid kuumenevad leiliruumi temperatuurini reeglina samaaegselt leiliruumiga.

Seadme ventilaator lülitage sisse alles vahepealt enne leiliruumi sisenemist – see aitab vältida saunalava ülekuumenemist ning liigset energiakulu. **Saunumi soovituslik temperatuur saunaprotseduurideks on 65–80 °C.**

## SAUNAKLIIMASEADME KASUTAMINE

**NB!** Enne saunakliimaseadme sisselülitamist kontrollige alati, et midagi ei oleks selle kohal või läheduses.

Saunakliimaseadme **Saunum Premium** tööaega saab reguleerida eraldiseisva juhtseadmega.

- Seadme ühendamine otse vooluvõrku on keelatud!
- Saunakliimaseadet ei tohi kasutada juhul, kui selle korpuse detailid on eemaldatud ja/või elektriskeemi on muudetud.
- Lapsed ei tohi pääseda saunakliimaseadme juurde sellega mängima.
- Saunakliimaseadme sisse- ja väljalülitamisel lähtuge kasutatava juhtseadme kasutusjuhendist.

Sa

**NB!** Veenduge, et pärast sauna kasutamist on saunakliimaseadme kõik osad välja lülitunud (kütmine on lõppenud ning ventilaator seiskunud).

## TEMPERATUURI SEADISTAMINE

**NB!** Soovitatav on hoida saunakliimaseadme õhuringluse ventilaator leiliruumi kütmise ajal väljalülitatuna!

Sellisel juhul soojeneb leiliruum kiiremini ning saunalava ei lähe kütmise ajal liiga kuumaks. Sobiva seadistuse leidmiseks alustage katsetamist madalast temperatuurist ja väikseimast õhuvoolu kiirusest. Kui leiliruumis viibimise ajal muutub temperatuur liiga kõrgeks, vähendage leiliruumi maksimumtemperatuuri või saunakliimaseadme ventilaatori kiirust.

## SAUNAKLIIMA REGULEERIMINE

Seadme tekitatavat õhuringluse mahtu reguleeritakse pöördlülitist, mis paikneb seadme esiküljel vasakul pool, alumises osas. Lülitil on neli asendit ning seda võib pöörata nii päripäeva kui ka vastupäeva. Kui lülitil olev kriips näitab vasakule, on saunakliimaseadme ventilaator välja lülitatud.

**Õhuvoolu kiirus** suureneb lülitit päripäeva keerates, valida võib kolme kiiruse vahel.

Leiliruumi õhutemperatuuri reguleerimiseks on seadme kivikasti taga, lõõrisokli vasakul küljel leilõhu jahutussiiber (joonis lk 67). Soovitatav seadistus on jahutussiibrit 1/3 ulatuses avatuna hoida. Leiliauru jahutamiseks proovige siibrit vähehaaval avada.

## HIMAALAJA SOOLAPALLIDE KASUTAMINE

Saunakliimaseadmega on komplektis Himaalaja soolast pallid. Soolapallide kasutamine seadmes on vabatahtlik ega mõjuta seadme põhifunktsiooni.

Soolapallide kasutamiseks tuleb need paigaldada õhu väljapuhkevõre ning ventilaatori vahelisel alal olevatesse pesadesse. Veenduge, et soolapallid on kohale asetatud korrektselt ning need ei takista ventilaatori pöörlemist.

Soolapallide paigaldamiseks eemaldage väljapuhkevõre (joonis lk 74) ning asetage soolapallid neile ette nähtud pesadesse. Pärast soolapallide paigaldamist, vahetamist või eemaldamist paigutage väljapuhkevõre tagasi. Saunakliimaseadet tohib kasutada ainult koos võreaga! Soolapallide sattumisel ventilaatori korpusesse ei tohi seadet kasutada/käivitada!

**NB!** Teiste tootjate soolapallide kasutamisel seadme garantii ei kehti.

Sa

## LEILIVISKAMINE

Saunas muutub õhk kuumenedes kuivaks, mistõttu tuleb sobiva õhuniiskuse taseme saavutamiseks leili visata. Kuumuse ning auru mõju inimestele on erinev. Saunumi kliimaseadme erinevaid seadeid katsetades leiata endale sobivaima temperatuuri- ja niiskusekombinatsiooni.

**Leilikulbi maht olgu kuni 0,2 liitrit. Leili visates ei tohiks vee kogus ületada 0,2 liitrit, sest kividele korraga liiga palju vett valades võib osa sellest keeva vee pritsmetena laiali pritsida.**

Veenduge, et leili visates on inimesed kerisest ohutus kauguses! Kuum aur ning veepritsmed põhjustavad nahapõletust. Kerisele visatav vesi peab vastama puhta majapidamisvee nõuetele. Vees võib kasutada vaid spetsiaalselt sauna jaoks mõeldud lõhnaaineid. Järgige pakendil olevaid juhiseid.

**NB!** Saunakliimaseadme ventilatsiooni-avadesse ei tohi vett valada!

## HOIATUSED

- Pikka aega leiliruumis viibimine tõstab kehatemperatuuri, mis võib olla tervisele ohtlik!

- Ära puutu kuuma kerist – kivid ja kerise välispind võivad teid põletada!
- Ärge jätke lapsi, vaegureid või haigeid leiliruumi järelevalveta!
- Konsulteerige arstiga meditsiiniliste vastunäidustuste osas leilivõtmisele!
- Konsulteerige arstiga meditsiiniliste vastunäidustuste osas soolaravile!
- Veenduge, et teil pole soolaravi suhtes allergiat. Saunum ei vastuta soolaravi kõrvalmõjude eest!
- Konsulteerige lastearstiga (perearstiga) laste leiliruumis viibimise osas!
- Olge saunas ja leiliruumis liikudes ettevaatlik, sest lava ja põrand võivad olla libedad!
- Ärge minge sauna alkoholi, ravimite või narkootikumide mõju all!
- Ärge magage kuumas leiliruumis!
- Soolane õhk ja niiske kliima võivad kerise metallpindadele tekitada oksiidikihi (rooste)!
- Veenduge, et teil oleks leiliruumis korralik ventilatsioon. Saunum ei vastuta võimaliku soolast tekkiva korrosiooni eest seadmetele ja tehnikale. Vajadusel konsulteerige spetsialistiga!

Sa

- Ärge riputage rätikuid ja riideid leiliruumi kuivama – see võib põhjustada tuleohtu!
- Ülemäärane niiskus võib kahjustada elektriseadmeid!
- Ventilatori suudme ees ei tohi olla takistusi lähemal kui 50 cm.
- Saunakasutajad ei tohi hoida ventilatori ees jalgu lähemal kui 50 cm.

**NB! Elektrikeris vajab juhtseadet ja kive!**

**NB! Ärge jätke saunakliimaseadme ventilatorit käima, kui te ise leiliruumis ei viibi – see põhjustab liigset energiakulu ning saunalava läheb liiga kuumaks!**

## PROBLEEMIDE LAHENDAMINE

**NB!** Hoolduse teostamiseks pöörduge asjatundliku hoolduspersonali poole.

**Kõigi häirete korral saunakliimaseadme töös tuleb seadme kasutamine viivitamatult peatada ning lasta see üle vaadata Saunumi poolt volitatud isikul.**

**SAUNAKLIIMASEADE EI SOOJENDA EGA PÜHU ÕHKU.**

- Veenduge, et kerise kaitsmed on töökorras.

- Veenduge, et ühenduskaabel on ühendatud.
- Veenduge, et saunakliimaseade on sisse lülitatud.
- Suurendage leiliruumi maksimumtemperatuuri.

**LEILIRUUM SOOJENEB AEGLASALT. KIVIDELE VISATUD VESI JAHUTAB NEED KIIRESTI MAHA.**

- Veenduge, et saunakliimaseadme õhuringluse ventilator on kütmise ajal välja lülitatud.
- Veenduge, et saunakliimaseadme kaitsmed on töökorras.
- Veenduge, et saunakliimaseadme töötamisel on kõik kütteelemendid kuumad (hõõguvad).
- Tõstke juhtseadmel valitud temperatuuri.
- Veenduge, et kerise võimsus on piisav.
- Kontrollige kerisekive. Liiga tihedalt laotud kivid, kivide aja jooksul alla/tihedamaks vajumine või vale kivitüüp võivad häirida õhuvoolu läbi kerise ning seetõttu vähendada kütmise kiirust.
- Veenduge, et leiliruumi ventilatsioon on õigesti lahendatud.

Sa

### LEILIRUUM SOOJENEK KIIRESTI, KUID KIVIDE TEMPERatuur JÄÄB EBAPIISAVAKS. KIVIDELE VISATUD VESI VOOLAB MAHA.

- Veenduge, et kerise võimsus ei oleks liiga suur. Kui kerise võimsus on leiliruumi jaoks sobiv, võtab õigesti isoleeritud leiliruumi sobivale temperatuurile jõudmine aega 45–90 minutit.
- Veenduge, et leiliruumi ventilatsioon on õigesti lahendatud.
- Vähendage saunakliimaseadme ventilaatori kiirust.

### SEINAKATE VÕI MUU MATERJAL KERISE LÄHEDUSES TUMENEK KIIRESTI.

- Järgige ohutuskauguste nõudeid.
- Kontrollige kerisekive. Liiga tihedalt laotud kivid, kivide aja jooksul alla/tihedamaks vajumine või vale kivitüüp võivad häirida õhuvoolu läbi kerise ning põhjustada ümbritsevate materjalide ülekuumenemist.
- Veenduge, et kivide vahelt ei oleks näha kütteelemente. Kui kütteelemente on näha, tõstke kivid ümber nii, et kütteelementid oleks täielikult kaetud.

**NB!** Liiga hõredalt laotud kivid võimaldavad kütteelementidel üle kuumeneda ja halvendavad leiliruumi sisekliimat. Võib tekkida tuleoht!

### LEILIRUUMI PUITPINNAD MUUTUVAD AJA JOOKSUL TUMEDAMAKS.

Tumenemist võivad kiirendada:

- päikesevalgus;
- kuumus kerisest;
- seinakaitsevahendid (kaitsevahenditel on kehv kuumusetaluvus);
- kerisekividest pärit peenosakesed.

### KERISEST TULEB LÖHNA.

- Vaata peatükki LEILIRUUMI KÜTMINE lk 52.
- Kuum keris võib võimendada õhuga segunenud lõhnasid, mida siiski ei põhjusta saun ega keris. Põhjustajateks on nt värv, liim, õli, lõhnaained jms.

### SAUNAKLIIMASEADMEST KOSTAB HELISID.

- Ventilaatori töötamisega kaasneb alati teatav heli. Kui see ei ole ühtlane ja/või sellega kaasneb metalne kõlin, siis vajab ventilaator tõenäoliselt hooldust või remonti. Kontrollige, et ventilaatori õhuavades poleks kõrvalisi esemeid.
- Proovige ventilaatorit lülitada väiksemale kiirusele.
- Juhuslike paukude põhjuseks on tõenäoliselt kivide pragunemine kuumuse tõttu.

Sa

- Kerise osade soojuspaisumine võib kerise soojenemisel põhjustada helisid.

### KERISEKIVIDE LADUMINE

Kivide ladumise viisil on suur mõju kerise tööle.

#### Oluline teada:

- Kivide läbimõõt peab olema 5–10 cm.
- Keristes kasutamiseks on ette nähtud ainult saunade jaoks müüdavad kerisekivid.
- Kergeid, poorseid keraamilisi kive ega pehmeid potikive kerises kasutada ei tohi. Neisse ei salvestu kuumutamisel küllaldaselt soojust ja selle tagajärjeks võib olla kütteelementide kahjustumine.
- Enne kivide kerisesse ladumist peske neid vee all ning harjake kividelt tolm maha.

**NB!** Saunumi seadmetega peab alati kasutama kvaliteetseid lihvitud kerisekive! Murtud ja terava äärega kivid võivad kahjustada kerise kütteelemente ja vähendada nende eluiga.

Pange kive paigaldades tähele:

- Ärge laske kividel kerisesse kukkuda.

- Ärge kiiluge kive kütteelementide vahele jõuga.
- Ärge laske kividel toetuda oma raskusega kütteelementidele, vaid laduge kivid nõnda, et nad toetaks üksteist.
- Ärge kuhjake kive kerisele.
- Saunakliimaseadme kivikasti ega ventilaatori lähedusse ei tohi paigaldada esemeid, mis võivad muuta saunakliimaseadme läbi voolava õhu kogust või suunda.

### SAUNAKLIIMASEADMES HOOLDAMINE

Suure temperatuurikõikumise tõttu kipuvad kerisekivid lagunema. Kivid tuleb vähemalt kord aastas ümber laduda, sauna aktiivsel kasutamisel ka sagedamini. Ümberladumise käigus eemaldage kerise põhjalt kivikillud ning vahetage purunenud kivid uute vastu. Nii toimides jääb kerise soojendusvõime optimaalseks ja välditakse ülekuumenemise ohtu.

Kui koos saunakliimaseadmega kasutatakse Himaalaja soolapalle, on soovitatav kord aastas soolapallid üle kontrollida ning vajadusel asendada kulunud ja katkised pallid uutega. Jälgige, et saunakliimaseadme ventilaatori õhuavades ei oleks kõrvalisi esemeid.

Sa

**ETTEVAATUST!** Enne saunakliimaseadme hooldamist ja puhastamist tuleb seade vooluvõrgust lahutada ja oodata seadme liikuvate osade täieliku seiskumiseni.

Enne saunakliimaseadme hooldamist ja puhastamist veenduge, et:

- saunakliimaseade on vooluvõrgust lahti ühendatud (lisaks seadme toitelülitile ka liigvoolukaitsmete abil);
- seadme ventilaator on täielikult peatunud;
- tööde teostamisel kasutatakse ettenähtud tööohutus- ja isikukaitsevahendeid;
- ühenduskaablid on kahjustamata. Ühenduskaablite kahjustuste ilmnemisel tuleb enne hooldus- ja puhastustööde jätkamist lasta kaablid asendada kutselisel elektrikul vastavalt kehtivatele standarditele ja nõuetele.

Seadme korpust võib puhastada veega niisutatud lapiga. Korpuse puhastamiseks ei tohi kasutada survepesu, voolavat vett, keemilisi puhastusaineid ja lahusteid!

Katlakivi eemaldamiseks kasutage 10% sidrunhappelahust ning loputage veega.

Liigne mustus võib ventilaatori rootori tasakaalust välja viia, see põhjustab müra suurenemist saunakliimaseadme

töötamisel. Müra võib suurened ka ventilaatori labade kahjustamise/painutamise tagajärjel. Jälgige, et ventilaatori rootori tööpiirkonda ei satuks kõrvalisi esemeid ega soolapalle.

Üldjuhul ei vaja ventilaator puhastamist sagedamini kui kord aastas. Ventilaatori puhastamisega võib tegeleda ainult Saunumi poolt volitatud isik.

Ventilaatori puhastamiseks suruõhu kasutamine võib ventilaatori rootorit pöördumatult kahjustada!

Ventilaatori laagrid on hooldusvabad ning probleemide esinemisel tuleb need välja vahetada.

Soovituslik on vähemalt kord aastas üle kontrollida kõik saunakliimaseadme elektriühendused. Seda võib teha vaid vastava kvalifikatsiooniga isik.

## LEILIRUUM

Saunakliimaseadme paigaldamise eelduseks on nõuetekohaselt ettevalmistatud leiliruum. Seinte ja lagede soojusisolatsioon peab olema hea, vastasel juhul kulub liiga palju aega ja energiat ruumi ülessoojendamiseks. Elektritoite ühenduskilpi peavad olema välja toodud toitekaablid kerise ja ventilaatori jaoks vastavalt tabelile 1 (vaata lk 50–51).

Sa

## LEILIRUUMI VENTILATSIOON

Leiliruumi õhk peab vahetuma vähemalt kuus korda tunni jooksul.

Mehaanilise õhuväljatõmbe kasutamisel paigutage õhu juurdevool saunakliimaseadme kohale. Loomuliku väljatõmbe kasutamisel paigutage õhu juurdevool saunakliimaseadme alla või kõrvale. Õhu juurdevoolutoru läbimõõt peab olema 80–100 mm.

Paigaldage õhu väljatõmbeava pörandale lähedale, saunakliimaseadme võimalikult kaugele. Õhu väljatõmbetoru läbimõõt olgu õhu juurdevoolutorust kaks korda suurem. Kui õhu väljatõmbeava on pesuruumis, peab leiliruumi ukse all olema vähemalt 100 mm vahe.

### Väljatõmbeventilatsioon saunas on kohustuslik.

Kuivatamise ventilatsiooniava (valikuline) tuleb paigaldada saunakliimaseadme vastasseina lakke (kütmise ja saunaskäigu ajal suletud). Sauna saab kuivatada ka saunaskäigu järel ust lahti jättes.

Sauna ventilatsioonisüsteem peaks soovitatavalt takistama sauna väljatõmbeõhu sattumist teistesse ruumidesse, eriti kui saunakliimaseadet kasutatakse koos soolapallidega.

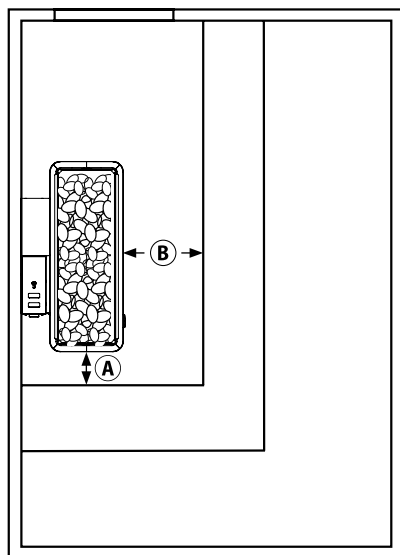
Sa

## KERISE VÕIMSUS

Kui seina- ja laekatte taga on piisav isolatsioon, määrab kerise võimsuse leiliruumi ruumala, s.t iga kuupmeetri kohta üks kilovatt. Isoleerimata seinte (telliskivi, klaasplokk, klaas, betoon, põrandaplaadid jne) puhul on tarvis võimsamat kerist. Lisage 1,2 m<sup>3</sup> leiliruumi ruumalale iga isoleerimata seina ruutmeetri kohta.

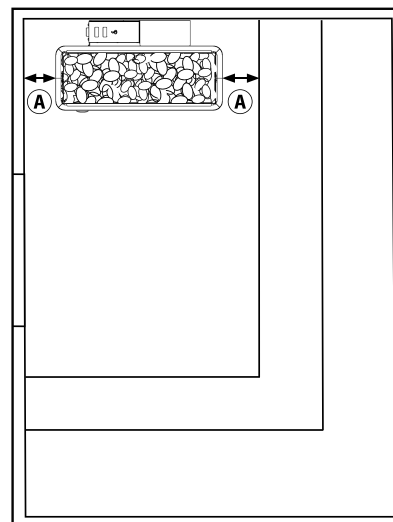
**Näiteks**, 10 m<sup>3</sup> leiliruum, millel on klaasuks, vastab 12 m<sup>3</sup> leiliruumi võimsuse vajadusele. Kui leiliruumil on palkseinad, korrutage ruumala 1,5-ga. Saunakliimaseadme Saunum Premium jaoks on leiliruumi optimaalsed suurused näidatud tabelis 1 (vaata lk 50–51). Leiliruumi kõrgus on tavaliselt 2100–2300 mm.

Minimaalne leiliruumi kõrgus saunakliimaseadme Saunum Premium paigaldamisel on 2000 mm.



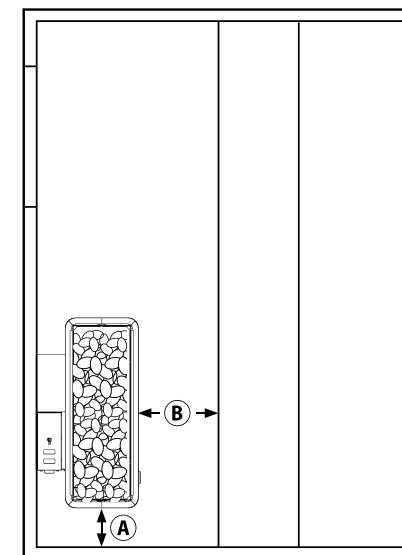
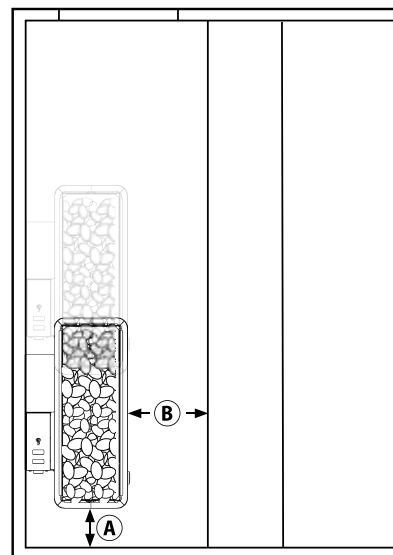
**Premium saunaseadme ohutuskaugused ja soovitatav asukoht leiliruumis.**

Sa



- Saunum Premium 6 kW – A > 50mm ja B > 75 mm
- Saunum Premium 9 kW – A > 50mm ja B > 100mm

**Seade võib tagumise küljega olla vastu lavaruumi laudist!**



Sa

## ENNE PAIGALDAMIST

Saunakliimaseadme paigalduse peab teostama kutseline elektrik. Seade tuleb ühendada kohtkindlalt keskkonna temperatuuritingimustele vastava kaabliga. Seadme ühendusklemmide tuleb ühendada kaitseandus (PE) vähemalt 2,5 mm<sup>2</sup> juhtmesoonega. Seadme toide tuleb võtta juhtseadme toiteahelast, mis on kaitstud liigvoolukaitsmetega. Nõutavad liigvoolukaitsmete suurused ja ühenduskaablite mõõdud on toodud tabelis 1 (vaata lk 50–51).

Saunakliimaseadme juhtimiseks võib kasutada kõiki sertifitseeritud sauna juhtimis-seadmeid, mille töövõimsus vastab kasutatava Saunum Premium mudeli võimsusele tabeli 1 järgi (vaata lk 50–51).

### Enne paigaldustööde algust tutvuge paigaldusjuhendiga ja pöörake tähelepanu alljärgnevale:

- Kerise võimsus ja tüüp sobivad antud leiliruumiga. Soovituslik leiliruumi ruumala on näidatud tabelis 1 (vaata lk 50–51).
- Toitepinge on saunakliimaseadmele sobiv.
- Saunakliimaseadme paigalduskohal on tagatud tabelis 1 (vaata lk 50–51) toodud ohutuskauguste minimaalsuurused mõõdetuna kerise korpuselt.

- Sein külge paigaldatava ning pörandajalaga mudeli gabariitmõõdud on näidatud lk 64 (peatükk SEADME MÕÖDUD).
- Samuti peab jälgima, et saunakliimaseadme ventilaatori väljapuhkeava ülemine serv oleks lava alumisest servast madalamal.
- Seadmest väljuva õhu ava ees ei tohi olla takistusi, väljapuhutav õhuvool peab saama vabalt levida üle leiliruumi.
- Seade töötab kõige efektiivsemalt siis, kui selle lõõrimüts on paigaldatud vastu leiliruumi lage ja väljuv õhk puhutakse lava alla.

Sellest hoolimata ei tohi seadet paigutada nii, et selle kerise ülemine serv oleks pörandast kõrgemal kui 80 cm. Seade on ette nähtud seinale paigaldamiseks 6 mm (alumine osa) ja 5 mm (lõõrimüts) kruvide abil. **Saunakliimaseadme paigalduskohas peab sein taluma seadme raskust vähemalt 130 kg.** Ankrute tüüp tuleb valida vastavalt paigalduskohas oleva kandva konstruktsiooni omadustele. Kinnitamise meetod peab tagama, et seade püsiks kindlalt seinal!

**Ohutuskaugusi tuleb tingimusteta täita, sest nende eiramisega kaasneb tuleoht. Leiliruumi tohib paigaldada vaid ühe saunakliimaseadme.**

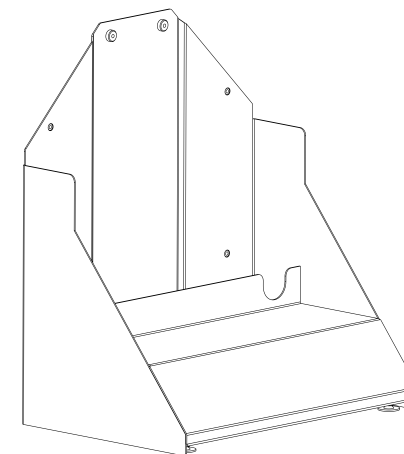
Sa

## KERISE PÖRANDAJALG

Juhtudel, kus ei ole võimalik Saunum Premium seadet sein külge kinnitada (näiteks sein konstruktsioon ei talu kerise raskust koos kividega või seade paigaldatakse vastu klaasist sein) on võimalik kasutada spetsiaalset pörandajalga, mille külge keris kinnitub (vaata täpsemalt PAIGALDUSJUHEND, lk 70). Pörandajalg ei sisaldu standardkomplektis, see on vaja tellida edasimüüjalt eraldi.

Pörandajalaga seadet ei ole ette nähtud ja seda ei tohi kasutada vabalt seisvana keset ruumi. Pörandajalg peab olema paigaldatud tasasele pörandale, seljaga vastu sein, ning omakorda ankurdatud tugevalt sein külge. Jalad tuleb reguleerida nii, et seade oleks loodis.

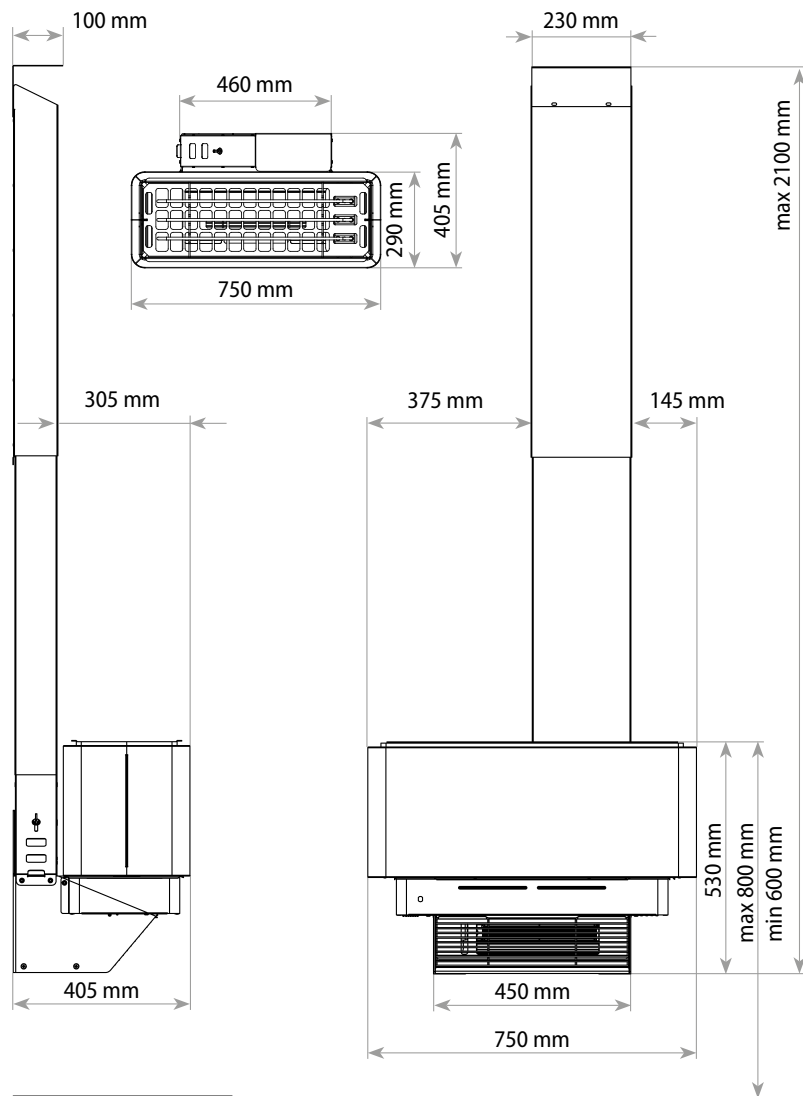
Saunakliimaseade on soovitatav eraldada piiretega, et vältida põletuste saamist kokkupuutel kerisega. Kui jalga ei ole võimalik ankurdata kruvidega sein külge (näiteks klaasist sein), siis on piirete kasutamine kohustuslik.





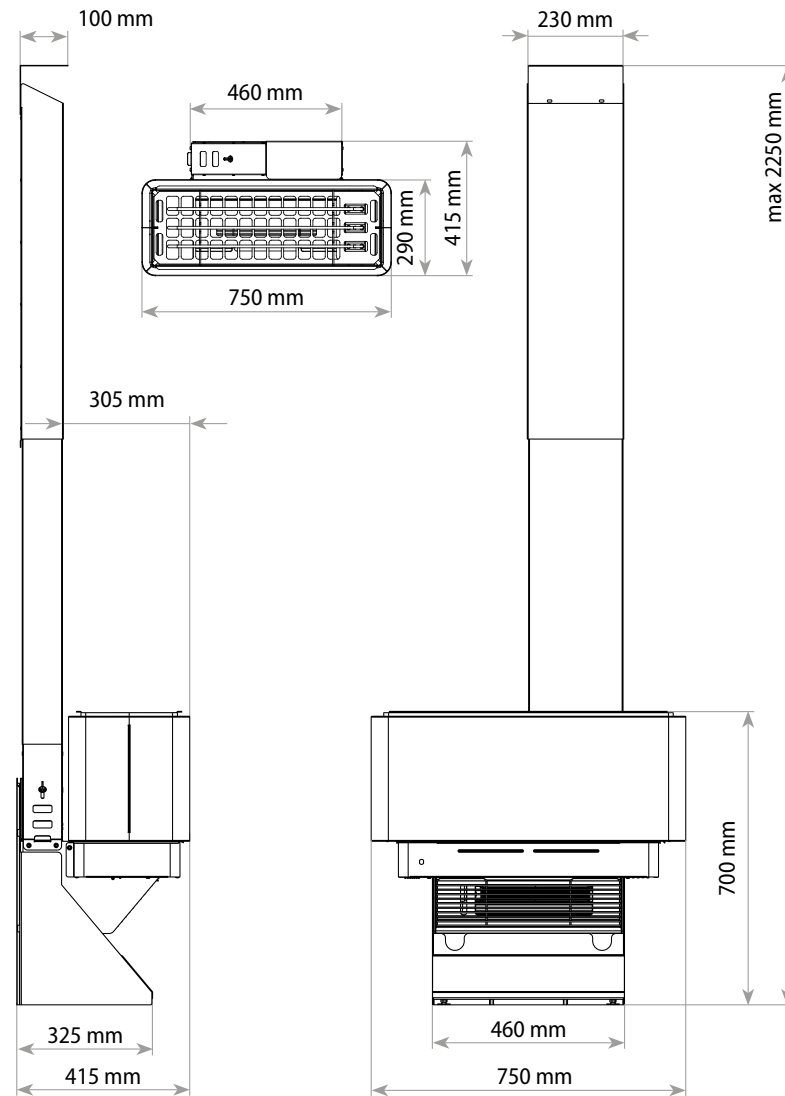
Sa

## Saunum Premium



Sa

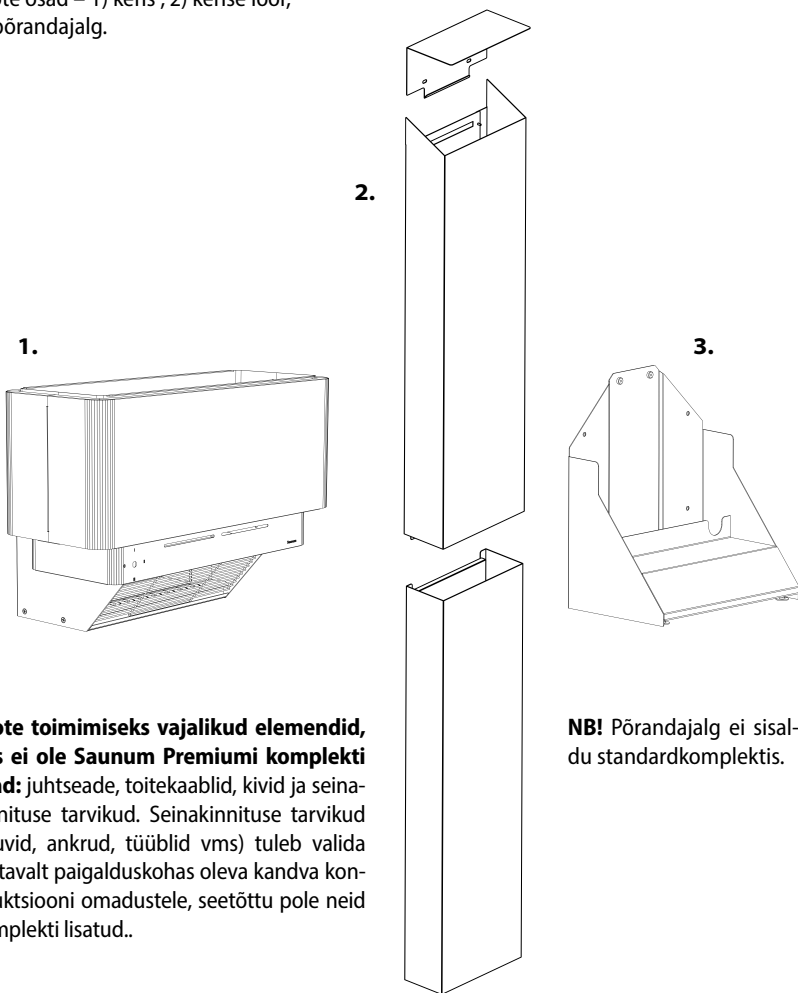
## Saunum Premium, põrandajalaga (valikuline lisa)



Sa

## TOOTE KOMPLEKTSUS

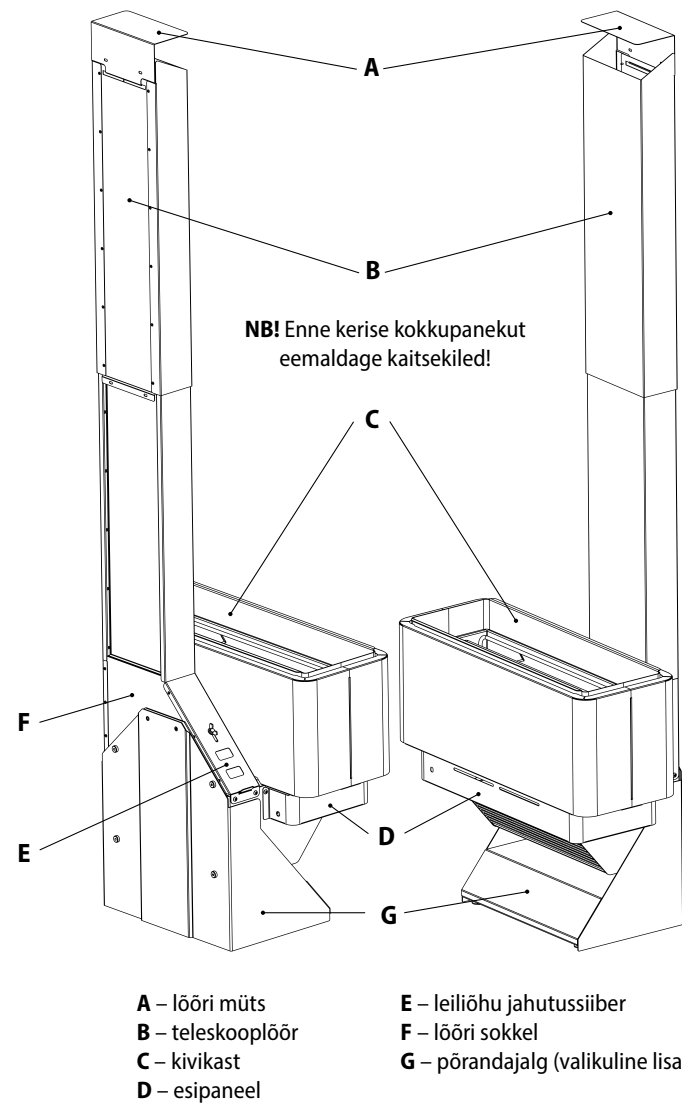
Toote osad – 1) keris, 2) kerise lõõr,  
3) põrandajalg.



**Toote toimimiseks vajalikud elemendid, mis ei ole Saunum Premiumi komplekti osad:** juhtseade, toitekaablid, kivid ja seinakinnituse tarvikud. Seinakinnituse tarvikud (kruvid, ankrud, tüüblid vms) tuleb valida vastavalt paigalduskohas oleva kandva konstruktsiooni omadustele, seetõttu pole neid komplekti lisatud..

**NB!** Põrandajalg ei sisaldu standardkomplektis.

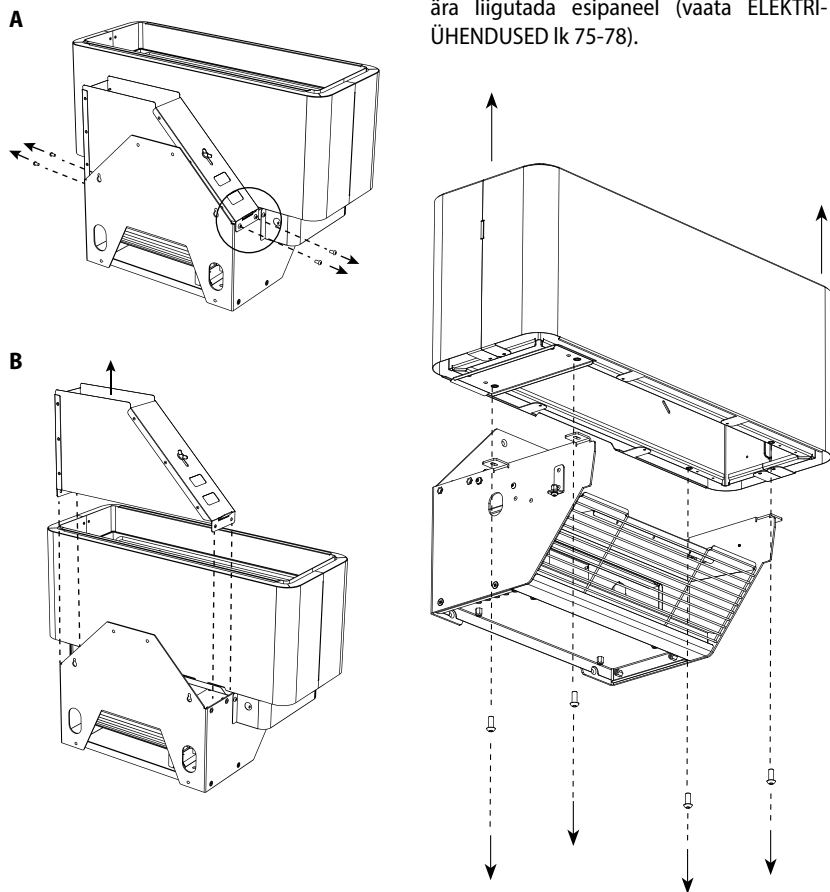
Sa



Sa

## KINNITUS SEINALE

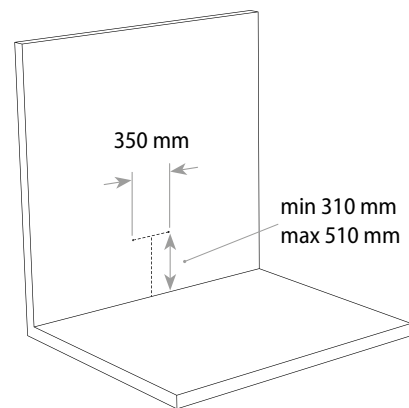
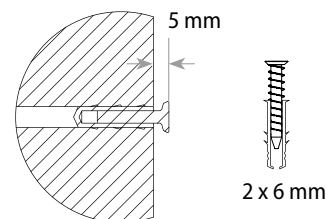
1. Keera lahti lööri soklit hoidvad neli kinnituspolti (A) ja tõsta lööri sokkel maha (B).



2. Tõsta kivikast peamooduli küljest maha. Kui kivikast on juba kinnitatud peamooduli külge poltidega, vabastage poldid (4 tk) kivikasti põhja alt ja seejärel tõstke kivikast maha. Tagumistele poltidele ligipääsemiseks tuleb vabastada ja eest ära liigutada esipaneel (vaata ELEKTRIÜHENDUSED lk 75-78).

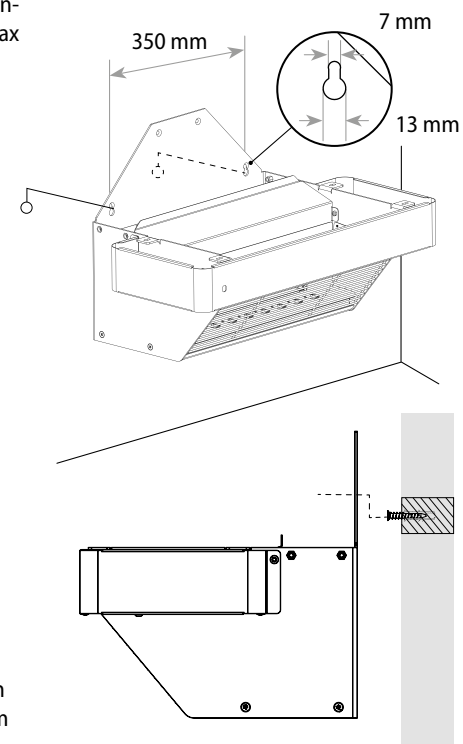
3. Keera seina keskmiste kinnitusavade kruvid, jättes need 5 mm ulatuses sisse keeramata.

**NB!** Jälgi, et kinnitusavade kõrgus põrandast jääks vahemikku min 310 mm – max 510 mm.



Sa

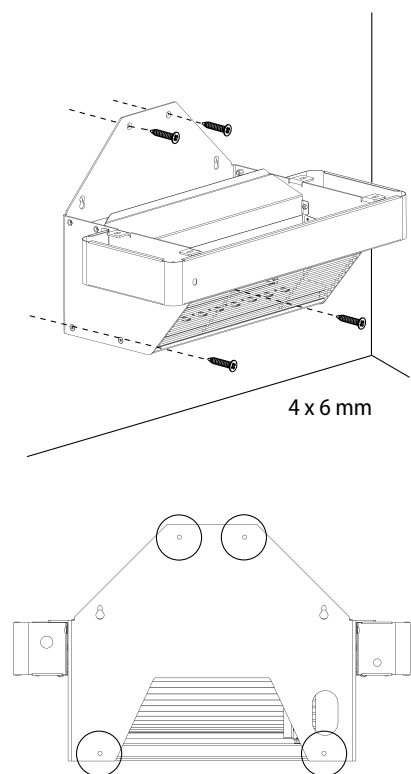
4. Tõsta seade seinale nii, et seinas olevad kruvid läheksid seadme tagaküljel paiknevatesse avadesse.



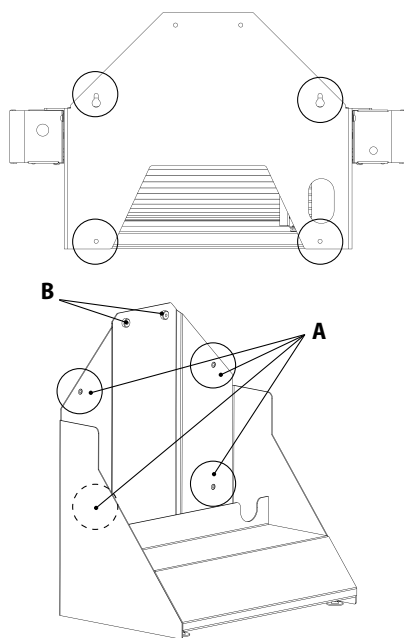
**NB!** Peamoodulit tõstes ole ettevaatlik, et esipaneel ei jääks rippuma mootorikaabli külge! Fikseeri esipaneel peamooduli külge vähemalt kahe poldiga.

Sa

5. Keera ülemistesse ja alumistesse kinnitusavadesse ülejäänud neli kinnituskruvi ja fikseeri seade nendega seinale külge. Seade on nüüd kinnitatud seinale kuue punkti abil.



5.1. Põrandajalaga versioon (vaata ka KERISE PÕRANDAJALG lk 63). Kinnita seade põrandajala külge nelja poldiga (A).

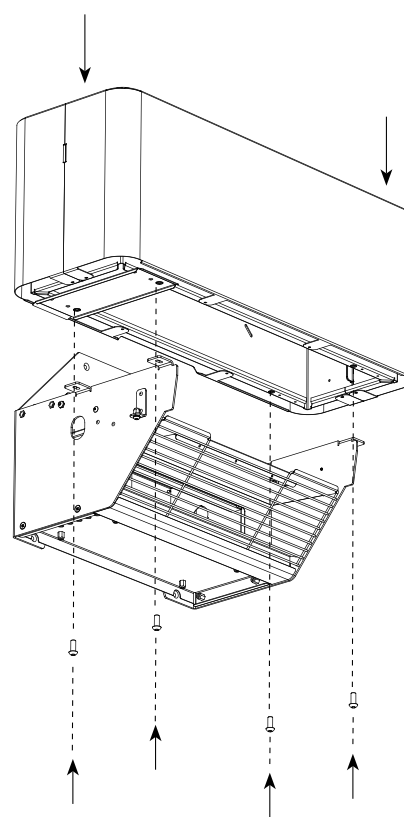


Seejärel aseta seade paika. Põrandajalg peab olema paigaldatud tasasele põrandale, seljaga vastu seinale. Reguleeri jalad nii, et seade oleks loodis.

**NB!** Kahe ülemise ava kaudu (B) tuleb seade ankurdada seinale külge, et vältida seadme ümberminekut! Kui saunakliimaseadet ei ole võimalik ankurdada seinale külge, on kohustuslik kasutada kerise ümber piirdeid!

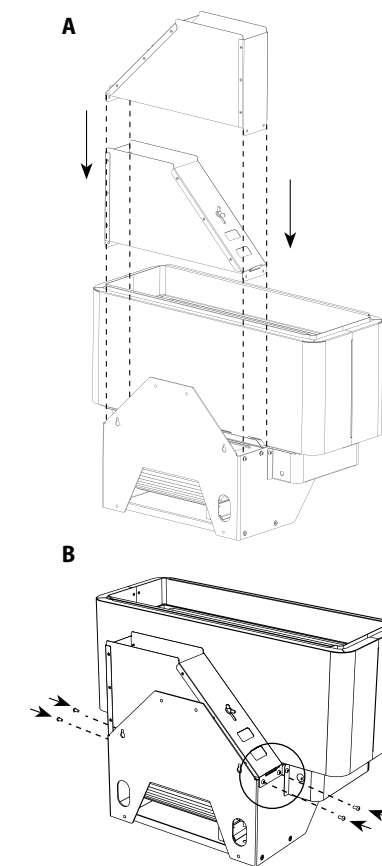
Sa

6. Aseta kivist tagasi oma kohale ja kinnita nelja poldiga.



7. Aseta lööri sokkel tagasi (A).

**NB!** Lööri sokli saab paigaldada kahes asendis nii, et seadme löör jääb paigaldaja valikul kerise suhtes kas vasakule või paremale. Kinnita nelja poldiga (B).



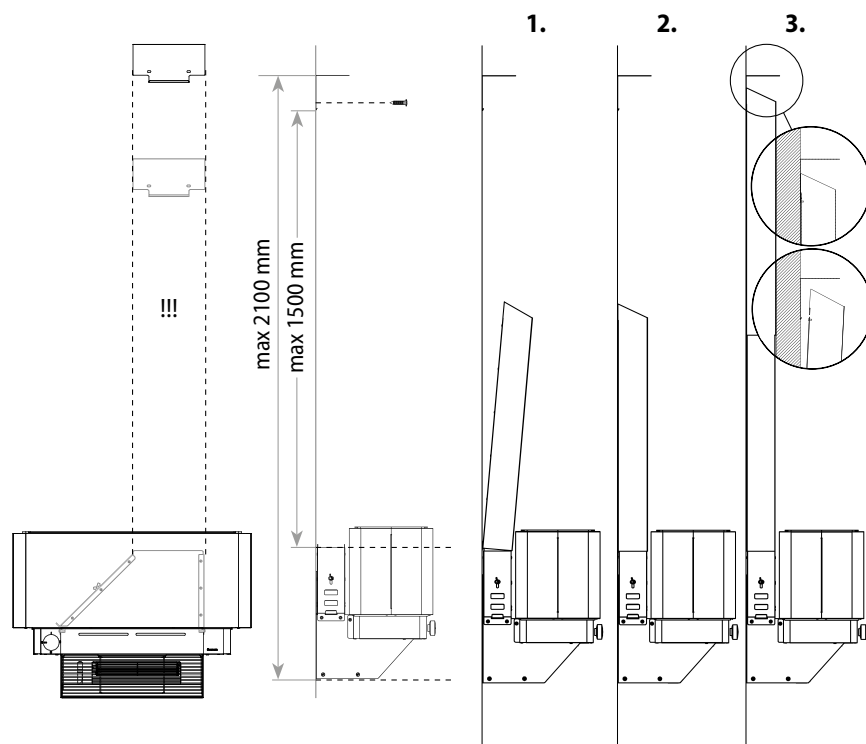
Sa

8. Kinnita lõõrimüts saunaruumi lae alla kahe 5 mm kruviga.

**NB!** Jälgi, et lõõrimüts jääks lõõri sokli lõõri avaga kohakuti!

9. Paigalda lõõri alumine ots lõõri soklile.

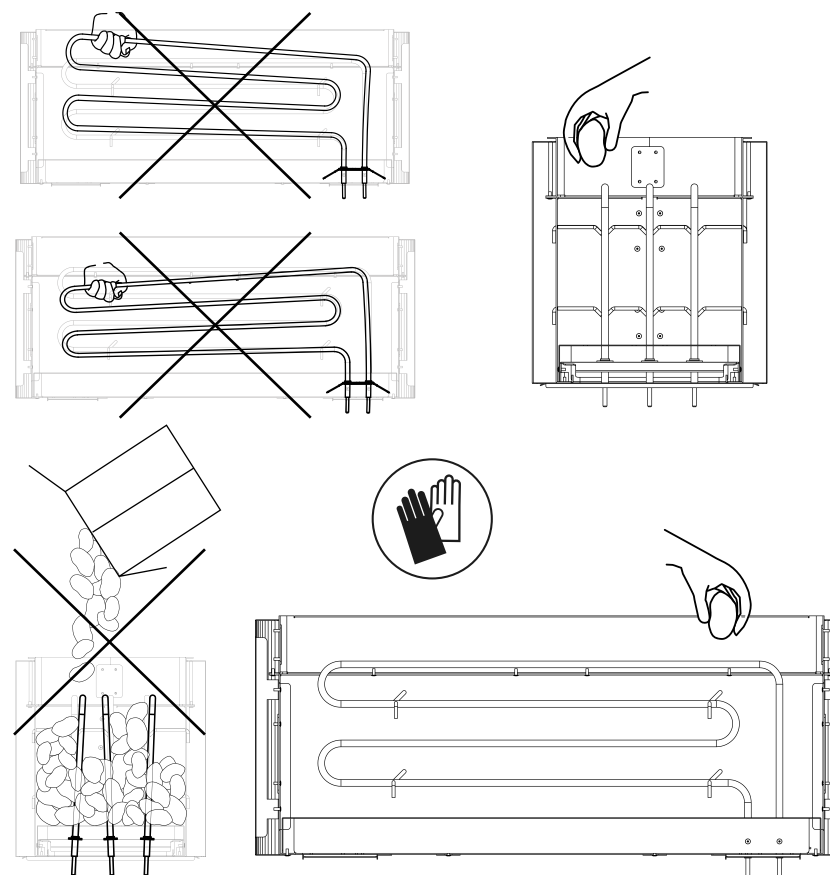
10. Ühenda omavahel lõõri ülemine ja alumine osa ning kinnita ülemine osa lõõrimütsi külge.



Sa

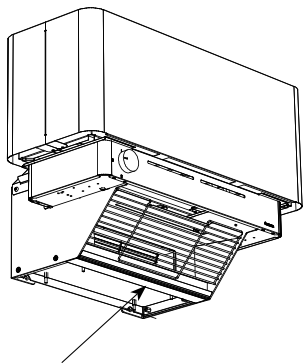
11. Paigalda küttekehade tugivardad (vaata KÜTTELEMENDI PAIGALDUS JA VAHETUS lk 79).

12. Täida saunakliimaseadme kivikast kerisekividega (vaata ka KERISEKIVIDE LADUMINE lk 57).



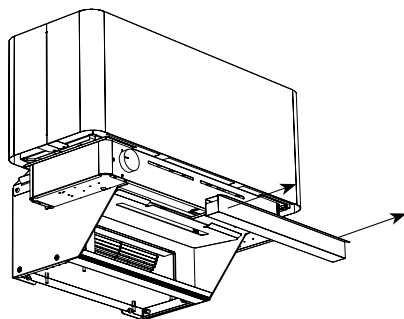
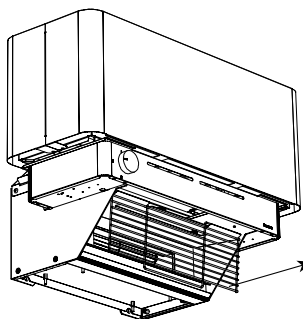
Sa

13. Paigalda soolapallid (vaata ka HIMAALAJA SOOLAPALLIDE KASUTAMINE lk 53).



Selleks eemaldage väljapuhkevõre, tõstes selle pesast välja (jälgli liikumise suunda joonisel) ning asetage soolapallid neile ette nähtud pesadesse. Pärast soolapallide paigaldamist või eemaldamist paigutage väljapuhkevõre tagasi.

**Saunakliimaseadet tohib kasutada ainult koos võrega!**



Sa

## ELEKTRIÜHENDUSED

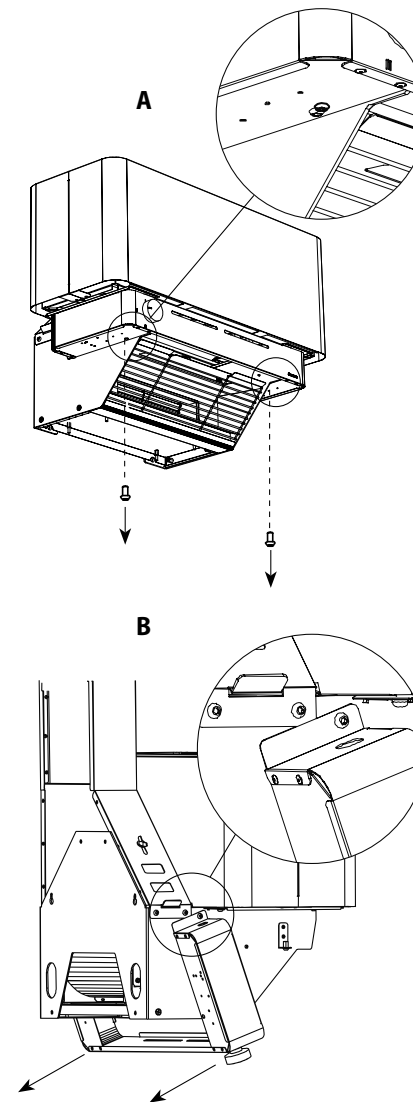
Ühenda kütteelemendid vastavalt **elektriskeemile** lk 76.

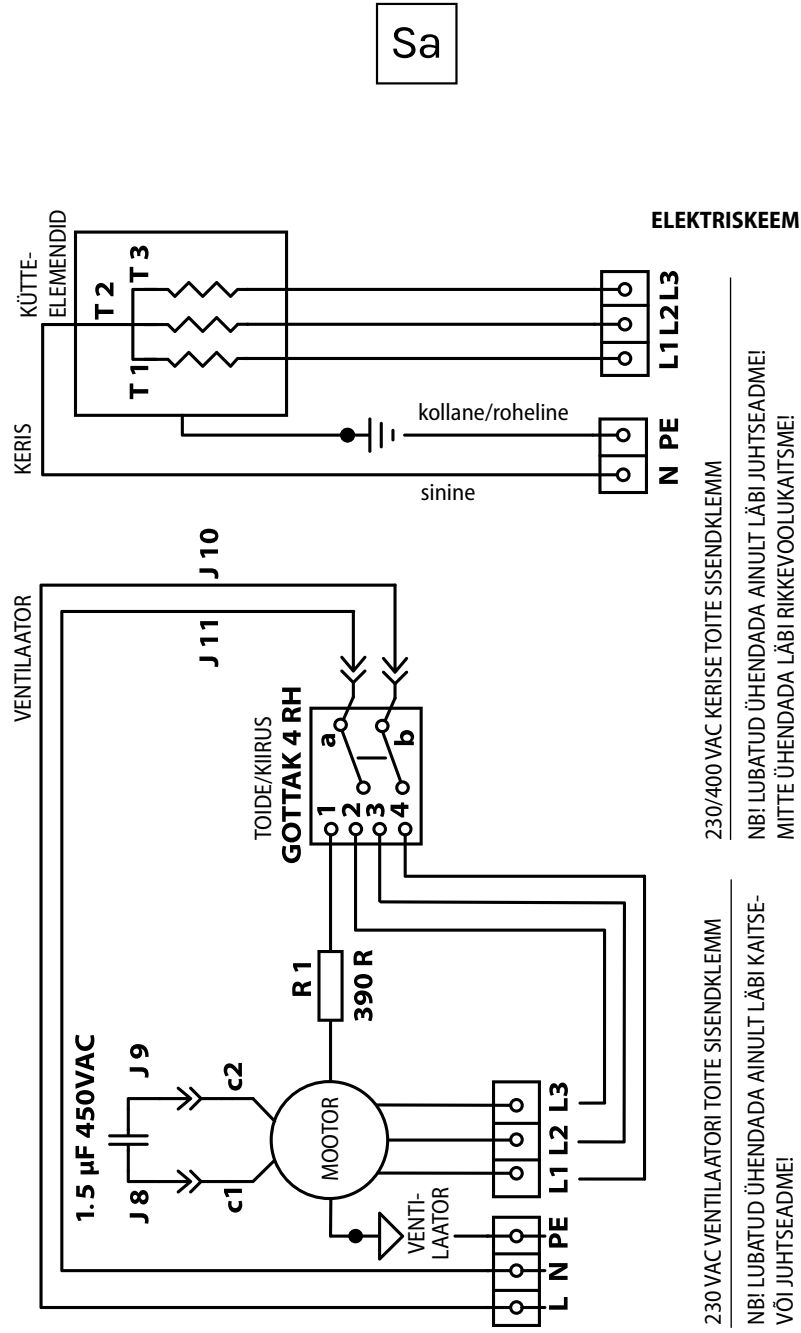
Ühenda saunakliimaseade juhtseadmega.

**Seadme elektriühenduse peab teostama kutseline elektrik vastavalt kehtivatele standarditele ja nõuetele. Enne igasuguste elektriühenduste teostamist tuleb kindlasti veenduda, et seadme automaatkaitselülitid oleks elektrikilbist välja lülitatud!**

Saunakliimaseadme ühendamine tuleb teostada poolstatsionaarselt ühenduskarpi leiliruumi seinal. Ühenduskarp peab olema pritsmekindel ning selle kõrgus põrandast võib olla maksimaalselt 500 mm.

Ühenduskaabel peab olema kummiisolatsiooniga H07RN-F tüüpi kaabel või samaväärne. Seadme elektriühendustele ligipääsemiseks on vaja avada kivikasti all olev esipaneel. Paneeli avamiseks tuleb täielikult lahti keerata seadme all olevad kaks polti (A). Paremaks ligipääsuks tuleb veidi lahti keerata ka külgedel olevaid polte (B).





Sa

**NB! Termilise rabenemise ohu tõttu on saunakliimaseadme ühenduskaabliina keelatud kasutada PVC-isolatsiooniga kaablit.**

- Seadme sisemised ühendused teostatakse kaablotste ja kruviklemmide abil vastavalt käesolevas juhendis olevale elektriskeemile (lk 76) ja tabelile 1 (lk 50–51).
- Seadme ühendusklemmidele tuleb ühendada kaitsemaandus (PE) vähemalt 2,5 mm<sup>2</sup> juhtmesoonega.
- Kütteseadme toide tuleb võtta 380 VAC (3 faasi) või 230 VAC (1 faasi) 50/60 Hz toiteahelast läbi juhtseadme, mis on kaitstud tabelis 1 (lk 50–51) näidatud suuruses liigvoolukaitsmega.
- Juhul, kui on soov seadme õhuringluse ventilaator kerise juhtseadme eraldi ühendada, peab ventilaatori ühendama läbi rikkevoolukaitsme. Sellisel juhul ei tohi saunakliimaseadme ventilaatori toite sisendklemmi kaitsemaandust (PE) viia kokku kerise toite sisendklemmi kaitsemaandusega. Sel juhul peab ventilaatori toiteks kasutama vähemalt 1,5 mm<sup>2</sup> maandussoonega kaablit.
- Toitekaabel peab sisenema saunakliimaseadme korpusesse nii, et vesi ei saaks piki kaablit valguda sauna-

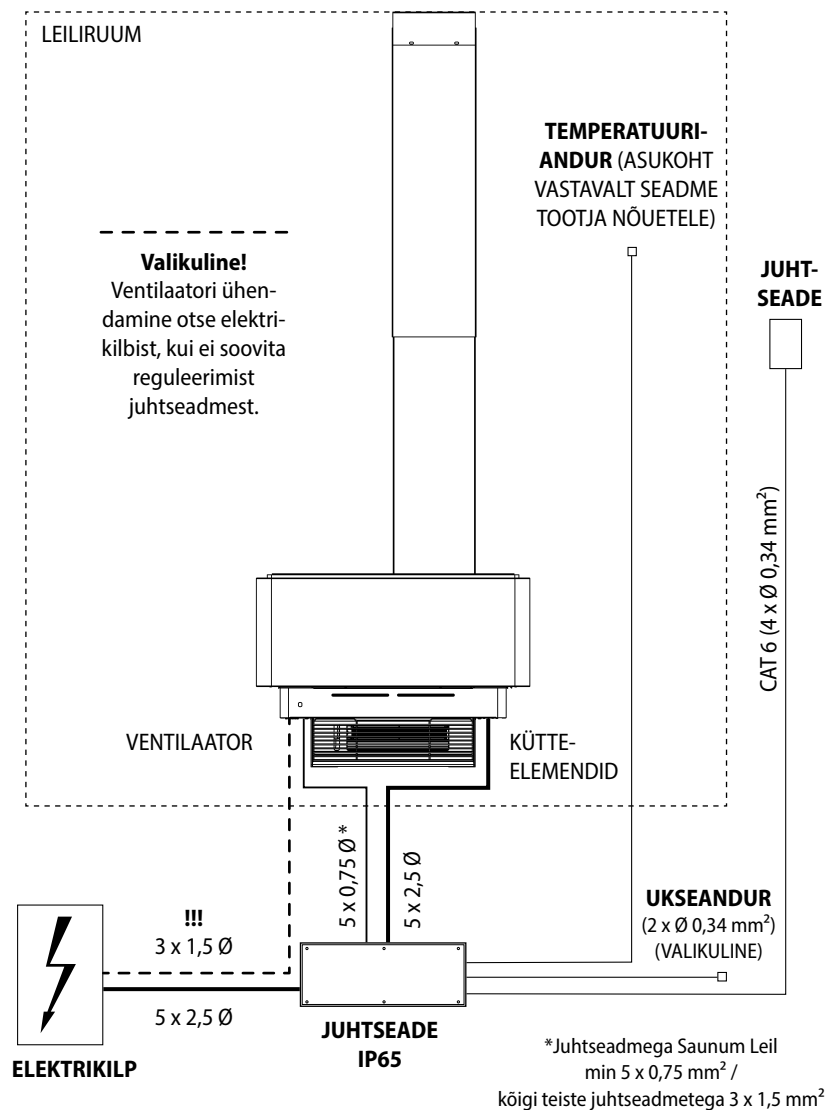
kliimaseadme korpuses asuvasse ühenduskarpi. Kaabli välisisolatsiooni võib maha koorida alles seadme korpuse sisse ulatuvas osas.

- Kui ühendus- ja paigalduskaablid on kõrgemal kui 1000 mm leiliruumi põrandast või leiliruumi seinte sees, peavad need koormuse all taluma vähemalt 170 °C (näiteks SSJ). Elektriseadmed, mis on leiliruumis paigaldatud madalamale kui 1000 mm, peavad taluma temperatuuri vähemalt 125 °C (näiteks T125).
- Ühenduskaabli soonte soovituslik ristlõige on näidatud tabelis 1 (lk 50–51).

**NB! Saunakliimaseadme võib ühendada vaid kutseline elektrik, järgides kehtivaid eeskirju!**

Sa

## PREMIUM SAUNASEADME TOITEKAABLIID



Sa

ELEKTRIKERISE  
ISOLATSIOONITAKISTUS

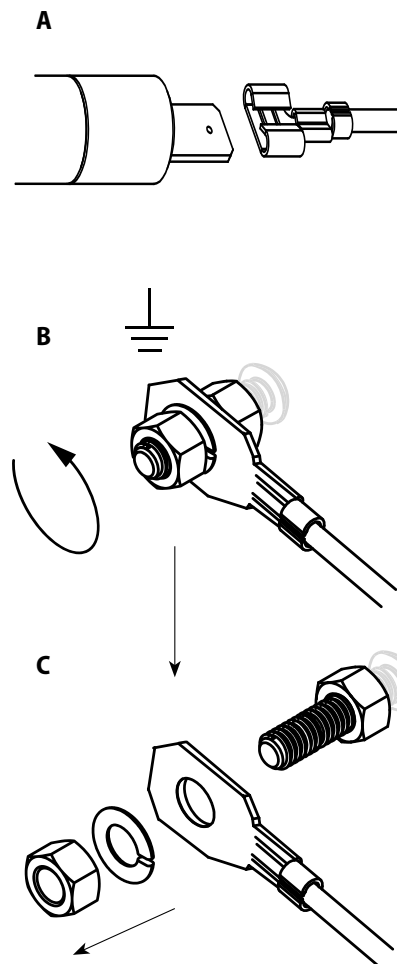
Elektripaigaldise lõplikul kontrollimisel võidakse isolatsioonitakistuse mõõtmisel tuvastada "leke", mis on tekkinud seetõttu, et kütteelementide isolatsioonimaterjal on imanud endasse õhust niiskust (hoiustamisel ja transpordil). Pärast saunakliimaseadme mõnekordset kasutamist see niiskus kaob.

**NB! Ära lülita kerist vooluvõrku läbi rikkevoolukaitsme!**

KÜTTEELEMENTI  
PAIGALDUS JA VAHETUS

**NB! Enne küttekehade vahetamist tuleb kindlasti veenduda, et seadme automaatkaitselüliti on elektrikiilbist välja lülitatud!**

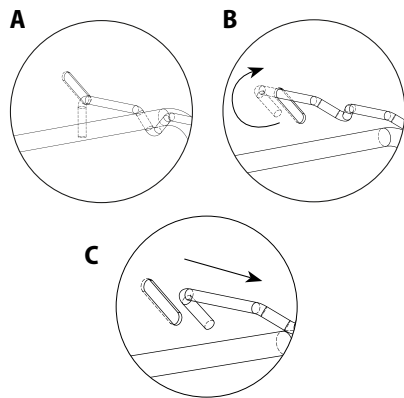
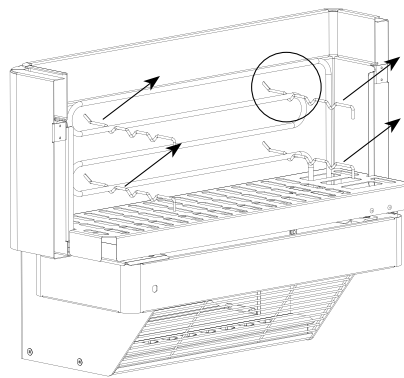
Küttekehad on seadmesse ühendatud kaabliotste abil (A). Enne küttekeha eemaldamist on vaja kaabliotsad (6 tk) lahti ühendada. Ühenda lahti maandus küttekeha poldi küljest (B, C).



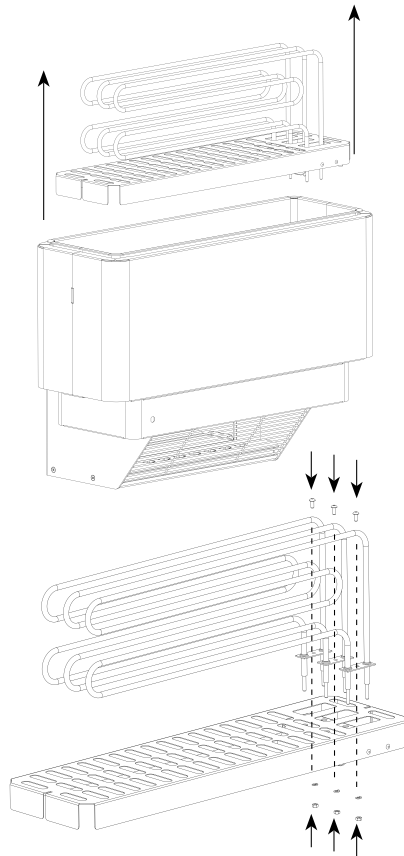


Sa

Seejärel tuleb eemaldada küttekehade neli tugivarrast (A). Selleks tuleb pöörata varrast nii, et varda painutatud ots jääks paralleelselt avaga korpuses (B), ja seejärel tõmmata kerge nurga all läbi ava kõigepealt ühelt poolt (C) ja siis teiselt poolt.



Nüüd on võimalik küttekehad koos alusplaadiga kivikastist välja tõsta. Küttekehad on alusplaadi külge kinnitatud poltidega.



Kui küttekehad on vahetatud, kinnita kõik tagasi vastupidises järjekorras.

Sa

## SAUNUMI TOODETE ÜLDISED GARANTII-TINGIMUSED

Saunumi seadmete garantiiga tagab Saunum, et tootel ei esine ostukuupäevale järgneval kindlaksmääratud perioodil materjalidest ega koostekvaliteedist tingitud vigu. Juhul kui garantiiperioodi jooksul esineb seadmel mittekvaliteetsete materjalide kasutamise või koostekvaliteedi tõttu mõni viga, siis parandavad või asendavad Saunumi soovituslikud remondipartnerid seadme või selle vigase osa ilma töökulu ja varuosa eest tasu võtmata alltoodud tingimustel. Saunum jätab endale õiguse otsustada, kas vahetada vigane tootekomponent välja või asendada seade uuega. Vahetatud vigased tootekomponendid jäävad Saunumi omandiks.

### Garantiitingimused:

1. Garantii kehtib ainult juhul, kui koos pretensiooniga esitatakse täidetud paigaldusprotokoll.
2. Seadme peab elektrivõrku ühendama kutseline elektrik, järgides kehtivaid eeskirju.
3. Seadme garantiiaeg erasaunas kasutamisel on kaks (2) aastat.
4. Seadme garantiiaeg üldkasutatavas saunas kasutamisel on üks (1) aasta.

### Garantii alla ei kuulu:

1. Seadme korraline hooldus ja puhastus ning normaalsest kulumisest tulenev komponentide vahetus.
2. Seadme kohandamine või muutmine eesmärgiga tarvitada seda mõnel muul otstarbel, kui kasutusjuhendis märgitud.
3. Transpordist tulenevad riskid.
4. Kahjud, mis tulenevad seadme väärkasutusest.
5. Kahjud, mis tulenevad seadme mittenouetekohasest paigaldamisest.
6. Seadme remont, mida ei ole teostanud Saunumi soovituslik remondipartner (hoolduspartner).
7. Õnnetusjuhtumid, välgulöök, vesi, tuli, ebaõige ventilatsioon või mõni muu Saunumi kontrollile mittealluv faktor.
8. Rikked, mille põhjuseks on Saunumi poolt mittesoovitavate kivide ja soolapallide kasutamine.
9. Kütteelemendid ja soolapallid.

Sa



Saunum Saunas OÜ soovituslikud paigaldajad ja hooldajad leiad Saunum Saunas OÜ kodulehelt [www.saunum.com](http://www.saunum.com) või kirjutas meiliaadressile [info@saunum.com](mailto:info@saunum.com).

Saunumi seadme hooldusjuhised on ära toodud seadme kasutusjuhendis.

**NB!** Saunakliimaseadme võib ühendada elektrivõrku vaid kutseline elektrik, järgides kehtivaid eeskirju.

Lugege kogu kasutusjuhend **enne seadme kasutamist** põhjalikult ja tähelepanelikult läbi ning hoidke seda tulevaste vajaduste tarbeks kindlas ja kergesti ligipääsetavas kohas.

Sa

## PAIGALDUSPROTOKOLL

Ostukuupäev: \_\_\_\_\_

Kerise tüüp: \_\_\_\_\_

Kleebis/seerianumber:  Paigalduse kuupäev: \_\_\_\_\_

Paigalduse koht: \_\_\_\_\_

Paigaldaja: \_\_\_\_\_

Kontrollitud: \_\_\_\_\_

Kuupäev, allkiri: \_\_\_\_\_

Teostatud tööde kirjeldus: \_\_\_\_\_

Paigalduseks on olemas kõik detailid \_\_\_\_\_

Puuduvad värvidefektid ja mõlgid \_\_\_\_\_

Paigaldatud seinale või põrandale vastavalt juhendile \_\_\_\_\_

Elektriühendused on tehtud vastavalt paigaldusjuhendile \_\_\_\_\_

Kõik kütteelemendid soojenevad \_\_\_\_\_

Ventilaatori kolm astet töötavad / õiges järjekorras \_\_\_\_\_

Märkused: \_\_\_\_\_

Kliendi kontakt (nimi, e-post): \_\_\_\_\_

Töö vastu võetud: \_\_\_\_\_



EL-i vastavusdeklaratsioon

Tootja Saunum Saunas OÜ  
(aadress Suur-Paala 19  
11415 Tallinn, Eesti)

tõendab, et toode

## Leiliruumi sisekliimaseadmega keris Saunum Premium

on vastavuses järgmiste Euroopa Parlamendi ja nõukogu  
direktiivide nõuetega tingimustel, et paigaldus on teostatud  
vastavalt seadmete tootja poolt välja antud  
paigaldusjuhendile ja juhendile EN 60 204-1  
„Masinate ohutus. Masinate elektriseadmed – Osa 1: Üldnõuded“:  
Masinadirektiiv 2006/42/EÜ  
Madalpingedirektiiv 2014/35/EL  
Elektromagnetilise ühilduvuse direktiiv 2014/30/EL.



# Saunum

Каменка для сауны с климатической установкой

## Saunum Premium

## НАИЛУЧШИХ ВПЕЧАТЛЕНИЙ ОТ САУНЫ!

*Я очень рад, что вы приобрели оборудование Saunium, и уверен, что наша инновационная технология приятно поразит вас неожиданными впечатлениями от использования сауны.*

Я по образованию инженер по теплоэнергетике и родом из Южной Эстонии, где берет начало моя любовь к бане и сауне. Местная черная баня отличается более низкой температурой и более высоким уровнем влажности, чем, например, в классической финской сауне. В обычных саунах объем камней каменки, как правило, невелик, из-за чего пар получается обжигающим и резким, а температура – неравномерной, когда воздух на уровне головы и плеч горячий, а в ногах – прохладный. Это довольно неприятно, вызывает головные боли и приводит к стрессу организма. Уже в древних черных и индейских банях сначала в течение дня накаляли камни, а затем аккумулированное в них тепло использовали для очищения тела и наслаждения банными процедурами.

Вдохновленный опытом посещения черной бани, я хотел создать инновационное решение, в котором использовались бы лучшие свойства аутентичной бани в сочетании с современными технологиями, обеспечивающими продолжительные приятные ощущения без болезненно обжигающего пара. Однако для этого нужно было добиться равномерной температуры как в области головы, так и в области ног. Мои разработки были поддержаны исследовательской работой, проведенной совместно с Таллиннским техническим университетом, в ходе которой мы проанализировали температурное расслоение и движение воздуха в помещении сауны. В



результате сотрудничества научного мышления и технологических инноваций и родилась марка Saunium.

Уникальная запатентованная система смешивания слоев воздуха в устройствах Saunium захватывает поднявшийся под потолок сауны горячий пар, смешивает его с более прохладным воздухом у поверхности пола и равномерно распределяет пар комфортной температуры. Это позволяет теплу не быть агрессивным. Посещение сауны обеспечит вам ощущение комфорта и наслаждение процессом глубокого очищения организма без появления усталости. Объем камней в наших каменках, как правило, значительно больше, чем в других распространенных каменках, что создает приятный микроклимат в сауне и продолжительный мягкий пар.

Сауна с влажным паром, санариум, терапевтическая соляная сауна или оздоровительная ароматическая сауна – все эти функции доступны в настройках устройств Saunium, чтобы создать по-настоящему расслабляющий эффект. Применение в наших устройствах шариков гималайской соли позволяет полезным ионам соли с паром попадать в циркулирующий воздух, оказывая благоприятное воздействие на кожу и дыхательные пути. Добавление аромасистемы, смешивающей пар с ароматическим маслом, создает в сауне еще более приятную атмосферу.

Сауны с оборудованием Saunium подходят как взрослым, так и детям.

**Приятного посещения сауны!**

Андрус Варе  
Создатель и автор идеи Saunium



Saunum **благодарит вас** за  
выбор каменки с инновационной  
климатической установкой от  
Saunum.



## СОДЕРЖАНИЕ

Указания по технике безопасности _____	90
<b>ИНСТРУКЦИЯ ПО ЭКСПЛУАТАЦИИ</b>	
Нагрев помещения сауны _____	92
Эксплуатация климатической установки _____	93
Регулировка температуры _____	93
Регулировка климата в сауне _____	93
Использование шариков гималайской соли _____	94
Полив каменки водой _____	94
Меры предосторожности _____	95
Устранение неисправностей _____	96
Укладка камней _____	98
Обслуживание климатической установки _____	99
Помещение сауны _____	100
Вентиляция помещения сауны _____	101
Мощность каменки _____	102
<b>МОНТАЖ</b>	
Перед монтажом _____	104
Напольная подставка для каменки _____	105
Размеры устройства _____	106
Комплектация устройства _____	108
Компоненты устройства _____	109
Монтаж устройства _____	110
Электрические соединения _____	117
Установка и замена нагревательных элементов _____	121
Гарантия _____	123
<b>Протокол монтажа</b> _____	125



**УКАЗАНИЯ ПО  
ТЕХНИКЕ  
БЕЗОПАСНОСТИ**

Данная инструкция по монтажу и эксплуатации предназначена для владельцев сауны и технических специалистов, а также для электриков, осуществляющих монтаж каменки с климатической установкой. После монтажа каменки с климатической установкой инструкцию необходимо передать владельцу сауны или техническому специалисту.

Перед использованием каменки с климатической установкой **Saunum Premium** (далее – климатическая установка) необходимо ознакомиться с инструкцией по монтажу и эксплуатации.

Климатическая установка предназначена для прогрева помещения сауны до

60–100 °С и регулирования микроклимата во время использования сауны.

**Внимание!** Климатическую установку и каменку запрещается использовать при температуре выше 100 °С!

**Внимание!** Климатическая установка **Saunum Premium** предназначена для использования с блоком управления LEIL при температуре до 100 °С.

**Внимание!** Если климатическая установка **Saunum Premium** используется с блоками управления какого-либо другого производителя, температура не должна превышать 90 °С!

**Внимание!** Эта инструкция применяется только к частным саунам. Для общественных саун действуют особые условия, которые необходимо уточнить у производителя.



**Внимание!** Производитель не несет ответственности за неправильную эксплуатацию устройства!

**Внимание!** Использование климатической установки в целях, отличных от указанных, запрещено!

**Внимание!** Для подключения климатической установки к электрической сети требуется блок управления, предназначенный для управления электрическими каменками. Блок управления должен соответствовать мощности используемой каменки согласно Таблице 1.

В блоке управления должна быть предусмотрена возможность управления вентилятором климатической установки, а также желательно наличие функции одновременного отключения каменки и вентилятора климатической установки.

Для обеспечения долговечности устройства необходимо следить, чтобы температура в помещении сауны на уровне нижней части устройства не превышала 80 °С. При превышении этой температуры срабатывает термозащита и вентилятор останавливается. При падении температуры ниже предела срабатывания защиты вентилятор снова включается.

Производитель не несет ответственности за неисправности устройства, вызванные превышением допустимой температуры эксплуатации.

Таблица 1

УСТРОЙСТВО	МОЩНОСТЬ	ЗАЩИТА 3 фазы	КАБЕЛЬ ПИТАНИЯ, мм <sup>2</sup>		Минимальная высота потолка	Минимальное безопасное расстояние от каменки	Объем помещения сауны, м <sup>3</sup>
			3 фазы	1 фаза/ вентилятор			
Saunum Premium	6 кВт	C10	5 x 2,5	5 x 0,75*	200 см	по бокам 50 мм, спереди 75 мм, высота до потолка 1000 мм (от камней)	5–8
Saunum Premium	9 кВт	C16	5 x 2,5	5 x 0,75*	200 см	по бокам 50 мм, спереди 100 мм, высота до потолка 1000 мм (от камней)	9–12

\* С блоком управления Leil для Saunum мин. 5 x 0,75 мм<sup>2</sup> / с любым другим блоком управления 3 x 1,5 мм<sup>2</sup>

**Внимание!** Максимальная температура на уровне датчика температуры контроллера (более 30 мм от каменки и 5 мм от потолка) составляет 100 °С.

Sa

## НАГРЕВ ПОМЕЩЕНИЯ САУНЫ

Перед первым использованием климатической установки необходимо проверить:

- соответствие электрических соединений требованиям;
- соответствие напряжения питания номинальным значениям, допустимым для климатической установки;
- исправность провода заземления (РЕ);
- исправность креплений корпуса установки;
- надежность крепления климатической установки к стене и способность стены выдержать вес установки вместе с камнями;
- исправность предохранителей от перегрузки;
- беспрепятственное вращение ротора вентилятора;
- отсутствие в корпусе устройства материалов и инструментов, оставшихся после монтажа.

При включении климатической установки необходимо проверить:

- направление воздушного потока – забор воздуха из верхнего от-

верстия и выпуск воздуха через нижнее отверстие;

- отсутствие вибраций и посторонних шумов при работе вентилятора.

При первом включении климатической установки от каменки и камней будет исходить специфический запах. Для устранения запаха помещение сауны следует тщательно проветрить.

При использовании каменки достаточной для размера помещения сауны мощности нагрев правильно изолированного помещения до необходимой температуры занимает от 45 до 90 минут. Как правило, камни нагреваются до температуры образования пара одновременно с помещением сауны.

Включайте вентилятор устройства непосредственно перед входом в помещение сауны – это позволит избежать перегрева полок в сауне и предотвратит лишний расход энергии. **Saunum рекомендует пользоваться сауной при температуре от 65 °С до 80 °С.**

Sa

## ИСПОЛЬЗОВАНИЕ КЛИМАТИЧЕСКОЙ УСТАНОВКИ

**Внимание!** Перед включением климатической установки обязательно убедитесь, что над устройством или рядом с ним не находятся посторонние предметы.

Для управления временем работы климатической установки **Saunum Premium** можно использовать дополнительный блок управления.

- Запрещено подключать устройство напрямую к электрической сети!
- Климатическую установку нельзя использовать, если сняты детали ее корпуса и/или изменена электросхема.
- Климатическая установка должна быть недоступна для детей, и им нельзя играть с ней.
- При включении и выключении климатической установки следуйте указаниям инструкции по эксплуатации используемого блока управления.

**Внимание!** После использования сауны обязательно убедитесь, что все компоненты климатической установки отключены (работа нагревательных элементов и вентилятора остановлена).

## РЕГУЛИРОВКА ТЕМПЕРАТУРЫ

**Внимание!** Во время нагрева помещения сауны рекомендуется держать вентилятор климатической установки выключенным!

Благодаря этому помещение сауны нагреется быстрее, а полки не перегреются. Начните подбор подходящего для вас режима с наиболее низкой температуры и минимальной скорости воздушного потока. Если при посещении сауны температура в ней станет слишком высокой, уменьшите максимальную температуру или снизьте скорость вентилятора климатической установки.

## РЕГУЛИРОВКА КЛИМАТА В САУНЕ

Интенсивность обеспечиваемой климатической установкой циркуляции воздуха изменяется при помощи регулятора, расположенного на лицевой стороне устройства, с левой стороны его нижней части. У регулятора предусмотрено четыре положения, и его можно вращать как по часовой стрелке, так и против часовой стрелки. Если полоска на регуляторе направлена влево, вентилятор климатической установки выключен.

Sa

Скорость воздушного потока увеличивается при повороте регулятора по часовой стрелке, можно выбрать одну из трех скоростей. Для регулировки температуры воздуха в помещении сауны предусмотрена заслонка для охлаждения, находящаяся с левой стороны основания дымохода, за корзиной для камней (см. стр. 107). Рекомендуется держать заслонку открытой на 1/3. Чтобы охладить пар, следует понемногу открывать заслонку.

## ИСПОЛЬЗОВАНИЕ ШАРИКОВ ГИМАЛАЙСКОЙ СОЛИ

В комплект климатической установки входят шарики гималайской соли. Использование шариков соли не является обязательным, это не повлияет на основные функции устройства.

Шарики соли необходимо поместить в ячейки, расположенные между решеткой выхода воздуха и вентилятором. Убедитесь, что шарики установлены правильно и не препятствуют свободному вращению вентилятора.

Для установки и удаления шариков соли необходимо снять решетку выхода воздуха (см. стр. 114) и поместить шарики соли в предусмотренные для них

ячейки. После установки или удаления шариков соли верните решетку на место. Климатическую установку можно использовать только при установленной решетке выхода воздуха! При попадании шариков соли в корпус вентилятора устройство нельзя использовать и включать!

**Внимание!** При использовании шариков соли сторонних производителей гарантия на климатическую установку не действует.

## ПОЛИВ КАМЕНКИ ВОДОЙ

Воздух в сауне при нагревании становится сухим, поэтому для достижения подходящего уровня влажности воздуха необходимо генерировать пар. Люди по-разному реагируют на жар и пар. Опробовав различные настройки климатической установки, вы подберете наиболее подходящее для себя сочетание температуры и влажности.

**Максимальный объем ковша для сауны – 0,2 литра. Объем воды при поливе каменки не должен превышать 0,2 литра, поскольку выливание слишком большого количества воды на камни за раз может привести к разбрызгиванию кипящей воды.**

Sa

Перед созданием пара убедитесь, что люди находятся на безопасном расстоянии от каменки! Горячий пар и брызги воды могут вызвать ожоги кожи. Выливаемая на каменку вода должна соответствовать требованиям к чистой водопроводной воде. В воде можно использовать только ароматические вещества, специально предназначенные для сауны. Соблюдайте указания на упаковке.

**Внимание!** При поливе камней водой не допускайте попадания воды в вентиляционные отверстия климатической установки!

## МЕРЫ ПРЕДОСТОРОЖНОСТИ

- Слишком долгое нахождение в помещении сауны приводит к повышению температуры тела, что может быть опасным для здоровья!
- Избегайте контакта с горячей каменкой. Прикосновение к камням и наружной поверхности каменки может вызвать ожоги!
- Не оставляйте детей, людей с ограниченными возможностями или больных в помещении сауны без присмотра!
- Проконсультируйтесь с врачом

относительно медицинских противопоказаний к посещению сауны!

- Проконсультируйтесь с врачом относительно медицинских противопоказаний к солевой терапии!
- Убедитесь, что у вас нет аллергии на солевую терапию. Saunum не несет ответственности за побочные эффекты солевой терапии!
- Проконсультируйтесь с педиатром или семейным врачом относительно посещения сауны детьми!
- Проявляйте осторожность, перемещаясь в помещении сауны, поскольку полки и пол могут быть скользкими!
- Не посещайте сауну, находясь под воздействием алкоголя, лекарственных препаратов или наркотических средств!
- Не спите в горячем помещении сауны!
- Морской воздух и влажный климат могут привести к образованию слоя оксида (ржавчины) на металлических поверхностях каменки!
- В помещении сауны необходимо обеспечить достаточную вентиляцию. Saunum не несет ответственности за возможную коррозию устройств, вызванную солью. При необходимости проконсультируйтесь со специалистом!





- Не сушите полотенца и одежду в помещении сауны, это может привести к пожару!
- Чрезмерная влажность может повредить электрооборудование!
- На расстоянии менее 50 см перед отверстием вентилятора не должно быть никаких препятствий!
- Пользователям сауны запрещается приближать ноги и другие части тела на расстояние менее 50 см от вентилятора.

**Внимание!** Для электрокаменки требуется пульт управления и камни.

**Внимание!** Не оставляйте вентилятор климатической установки работать, когда вы не находитесь в сауне – это приведет к повышенному расходу электроэнергии и чрезмерному нагреву полок!

## УСТРАНЕНИЕ НЕИСПРАВНОСТЕЙ

**Внимание!** Для обслуживания устройства обратитесь к квалифицированному специалисту.

**При возникновении любых неисправностей в работе климатической установки следует незамедлительно**

**прекратить ее использование и обратиться к специалисту, уполномоченному компанией Saunim, для проведения осмотра устройства.**

### КЛИМАТИЧЕСКАЯ УСТАНОВКА НЕ НАГРЕВАЕТ И НЕ ВЫДУВАЕТ ВОЗДУХ.

- Проверьте исправность предохранителей каменки.
- Убедитесь, что кабель питания подсоединен.
- Убедитесь, что климатическая установка включена.
- Увеличьте максимальную температуру в помещении сауны.

### ПОМЕЩЕНИЕ САУНЫ НАГРЕВАЕТСЯ МЕДЛЕННО. ВОДА, ВЫЛИВАЕМАЯ НА КАМНИ, БЫСТРО ИХ ОХЛАЖДАЕТ.

- Убедитесь, что вентилятор циркуляции воздуха климатической установки выключен во время нагрева сауны.
- Проверьте исправность предохранителей климатической установки.
- Убедитесь, что при работе климатической установки все нагревательные элементы визуально раскалены (светятся).
- Увеличьте температуру, установленную на блоке управления.



- Убедитесь, что каменка обладает достаточной мощностью.
- Проверьте камни. Слишком плотная укладка камней, усадка/уплотнение камней с течением времени или неправильный тип камней могут препятствовать воздушному потоку через каменку, в результате чего уменьшится скорость нагрева помещения сауны.
- Убедитесь, что вентиляция сауны организована правильно.

### ПОМЕЩЕНИЕ САУНЫ НАГРЕВАЕТСЯ БЫСТРО, НО ТЕМПЕРАТУРА КАМНЕЙ ОСТАЕТСЯ НЕДОСТАТОЧНОЙ. ВОДА, ВЫЛИВАЕМАЯ НА КАМНИ, БЫСТРО СТЕКАЕТ.

- Убедитесь, что мощность каменки не избыточна. При использовании каменки достаточной для помещения сауны мощности нагрев правильно изолированного помещения до необходимой температуры занимает от 45 до 90 минут.
- Убедитесь, что вентиляция сауны организована правильно.
- Уменьшите скорость вентилятора климатической установки.

### ОБШИВКА СТЕНЫ ИЛИ ДРУГОЙ МАТЕРИАЛ РЯДОМ С КАМЕНКОЙ БЫСТРО ТЕМНЕЮТ.

- Убедитесь, что соблюдены требования к безопасному расстоянию.
- Проверьте камни. Слишком плотная укладка камней, усадка/уплотнение камней с течением времени или неправильный тип камней могут препятствовать воздушному потоку через каменку, в результате чего уменьшится скорость нагрева помещения сауны.
- Убедитесь, что через зазоры между камнями не видны нагревательные элементы. Если нагревательные элементы видны, переставьте камни так, чтобы нагревательные элементы были полностью закрыты.

**Внимание!** Из-за слишком редко уложенных камней нагревательные элементы перегреваются, в результате чего ухудшается микроклимат в помещении сауны. Может возникнуть опасность пожара!

### ДЕРЕВЯННЫЕ ПОВЕРХНОСТИ ПОМЕЩЕНИЯ САУНЫ СО ВРЕМЕНЕМ ТЕМНЕЮТ.

Этот процесс могут ускорить:

- солнечный свет;



- жар от каменки;
- защитные средства для стен (низкая стойкость защитных средств к высокой температуре);
- мелкие частицы от камней.

**ОТ КАМЕНКИ ИСХОДИТ ЗАПАХ.**

- См. раздел «НАГРЕВ ПОМЕЩЕНИЯ САУНЫ», стр. 92.
- Горячая каменка может усилить запахи, смешанные с воздухом, которые, однако, не исходят от самой сауны или каменки. Источником запаха могут быть краска, клей, масло, ароматические вещества и т. д.

**КЛИМАТИЧЕСКАЯ УСТАНОВКА ШУМИТ.**

- Работа вентилятора всегда сопровождается определенным шумом. Если он неравномерный и/или его сопровождает металлический звук, то, вероятно, вентилятор нуждается в обслуживании или ремонте. Убедитесь, что в воздушных отверстиях вентилятора нет посторонних предметов.
- Попробуйте уменьшить скорость вентилятора.
- Причиной громких звуков часто

является растрескивание камней вследствие нагрева.

- Тепловое расширение частей каменки тоже может привести к появлению шума при ее нагреве.

**УКЛАДКА КАМНЕЙ**

Способ укладки камней оказывает значительное влияние на работу каменки.

**Важно учитывать:**

- диаметр камней должен составлять 5–10 см;
- в каменках следует использовать только камни, предназначенные специально для сауны;
- в каменке нельзя использовать легкие пористые керамические «камни» и мягкий кафель. Они не накапливают при нагреве достаточного тепла, что может вызвать повреждение нагревательных элементов;
- перед укладкой камней в каменку следует смыть с камней пыль.

**Внимание!** Для устройств Saunip всегда следует использовать качественные полированные камни, предназначенные для сауны. Расколотые камни с острыми



краями могут повредить нагревательные элементы и сократить срок их службы.

При укладке камней следует помнить следующее:

- не допускайте падения камней в каменку;
- не укладывайте камни между нагревательными элементами с применением силы;
- не допускайте, чтобы камни своим весом опирались на нагревательные элементы – сложите камни так, чтобы они опирались друг на друга;
- не нагромождайте камни на каменку;
- не размещайте рядом с корзиной для камней или вентилятором климатической установки предметы, которые могут повлиять на количество или направление воздуха, проходящего через климатическую установку.

**ОБСЛУЖИВАНИЕ КЛИМАТИЧЕСКОЙ УСТАНОВКИ**

Вследствие сильных колебаний температуры камни в каменке начинают

раскалываться. Камни следует перекалывать как минимум раз в год, а если сауна активно используется, то даже чаще. При перекалке камней необходимо удалять все осколки камней с дна каменки и заменять расколотые камни новыми. При соблюдении этих требований нагревательная способность каменки остается оптимальной и исключается опасность перегрева.

Если в климатической установке используются шарики гималайской соли, рекомендуется раз в год проверять их состояние и при необходимости заменять старые и поврежденные шарики соли новыми. Следите за тем, чтобы в воздушных отверстиях вентилятора климатической установки не было посторонних предметов.

**ОСТОРОЖНО!** Перед обслуживанием и чисткой климатической установки ее следует отключить от электрической сети и дождаться полной остановки движущихся частей устройства.

Перед обслуживанием и чисткой климатической установки необходимо убедиться, что:

- устройство отсоединено от электрической сети (помимо выключателя питания устройства также с помощью предохранителей);
- вентилятор полностью остановился;

Sa

- при выполнении работ используются необходимые средства техники безопасности и индивидуальной защиты;
- соединительные кабели не повреждены. При обнаружении повреждения, перед тем как работы по обслуживанию и чистке будут продолжены, квалифицированный электрик должен провести замену поврежденных соединительных кабелей согласно действующим стандартам и требованиям.

Корпус устройства можно протирать влажной тряпкой. Не используйте для чистки устройства мойку под давлением, проточную воду, химические чистящие средства и растворители!

Удалите с устройства накипь 10% раствором лимонной кислоты и промойте чистой водой.

Накопившаяся грязь может нарушить балансировку ротора вентилятора, что приведет к повышенному шуму при работе климатической установки. Шум может увеличиться и из-за поврежденных/изогнутых лопастей вентилятора. Следите, чтобы в рабочую зону ротора вентилятора не попадали посторонние предметы или шарики соли.

Как правило, вентилятор требуется чистить не чаще одного раза в год. Чистку вентилятора должен проводить

только специалист, уполномоченный компанией Saunum.

Использование сжатого воздуха для чистки вентилятора может необратимо повредить ротор вентилятора!

Подшипники вентилятора не требуют обслуживания, и в случае возникновения неисправности их следует заменить.

Рекомендуется проверять все электрические соединения климатической установки не реже одного раза в год. Такую проверку может проводить только квалифицированный специалист.

Sa

## ПОМЕЩЕНИЕ САУНЫ

Климатическая установка предназначена для монтажа в помещении сауны, предварительно подготовленном надлежащим образом. Стены и потолок должны иметь достаточную теплоизоляцию, в противном случае на нагрев помещения будет уходить слишком много времени и энергии. Кабели питания каменки и вентилятора в соединительной коробке должны быть обозначены согласно Таблице 1 (см. стр. 90–91).

## ВЕНТИЛЯЦИЯ ПОМЕЩЕНИЯ САУНЫ

Воздух в помещении сауны должен обновляться в течение часа как минимум шесть раз.

При использовании механической вытяжки расположите воздухозаборник над климатической установкой. При использовании естественной вытяжки расположите воздухозаборник под климатической установкой или рядом с ней. Диаметр трубы воздухозаборника должен составлять 80–100 мм.

Установите вытяжное отверстие рядом с полом, как можно дальше от климатической установки. Диаметр вытяжной трубы должен быть в два раза больше, чем у трубы воздухозаборника. Если вытяжное отверстие находится в предбаннике, под дверь помещения сауны должен быть зазор как минимум 100 мм.

**Наличие вытяжной вентиляции в помещении сауны является обязательным.**

Вентиляционное отверстие для сушки (дополнительное оборудование) должно быть установлено на потолке у стены напротив климатической установки (должно оставаться закрытым во время нагревания и использования сауны). Сауну также можно высушить, оставив после ее использования дверь открытой.

Вентиляционная система сауны по возможности должна препятствовать попаданию воздуха, выходящего из сауны, в другие помещения, особенно при использовании в климатической установке шариков соли.

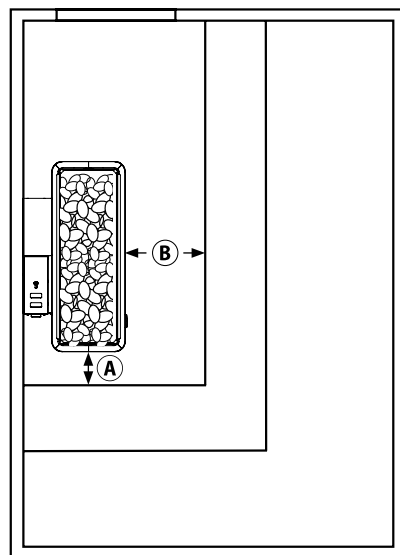


### МОЩНОСТЬ КАМЕНКИ

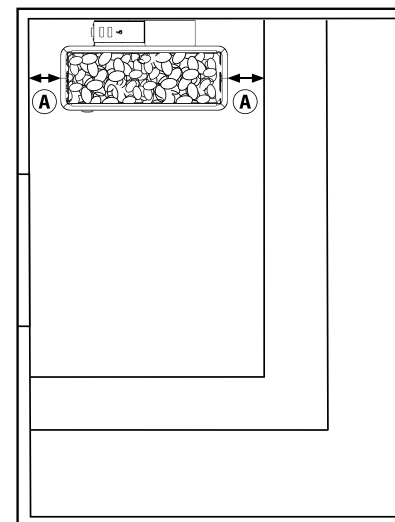
Если за покрытием стены и потолка находится достаточно толстый слой изоляции, мощность каменки определяется исходя из объема помещения сауны, т. е. 1 кВт на каждый м<sup>3</sup>. Если стены сауны не изолированы (кирпич, стеклянный блок, стекло, бетон, напольная плитка и т. д.), мощность каменки должна быть более высокой. При расчетах добавьте к объему помещения сауны 1,2 м<sup>3</sup> на каждый квадратный метр неизолированной стены.

**Например,** помещение сауны объемом 10 м<sup>3</sup> со стеклянной дверью требует мощности, необходимой для помещения объемом 12 м<sup>3</sup>. Если в помещении сауны бревенчатые стены, умножьте объем сауны на 1,5. Оптимальные размеры сауны для климатической установки Saunum Premium приведены в Таблице 1 (см. стр. 90–91). Высота помещения сауны обычно составляет от 2100 мм до 2300 мм.

Минимальная высота при монтаже климатической установки Saunum Premium составляет 2000 мм.

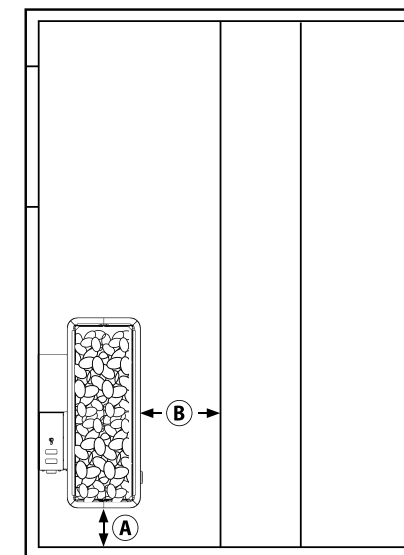
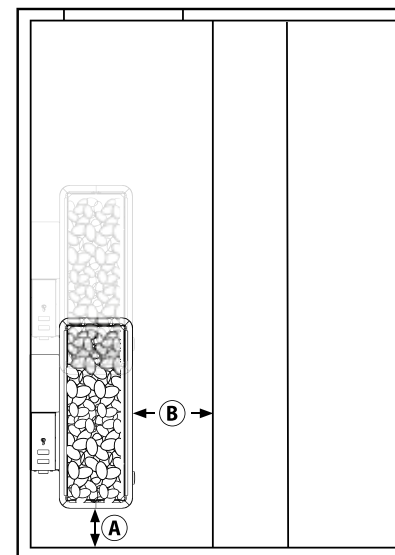


**Безопасные расстояния для устройства Saunum Premium и его рекомендуемое расположение в помещении сауны.**



- Saunum Premium 6 кВт – A > 50 мм и B > 75 мм
- Saunum Premium 9 кВт – A > 50 мм и B > 100 мм

**Задняя часть устройства может упираться в обшивку стены помещения сауны!**





## ПЕРЕД МОНТАЖОМ

Монтаж климатической установки должен проводить квалифицированный электрик. Устройство следует подключать стационарно с помощью кабеля, соответствующего температурным условиям среды. К соединительной клемме устройства следует подсоединить защитное заземление (PE) с сечением провода не менее 2,5 мм<sup>2</sup>. Устройство должно быть подключено к цепи питания блока управления, защищенной предохранителем от перегрузки. Требуемые номиналы предохранителей и размеры соединительных кабелей приведены в Таблице 1 (см. стр. 90–91).

Для управления климатической установкой можно использовать любой сертифицированный блок управления сауной, рабочая мощность которого соответствует мощности используемой модели Saunum Premium согласно Таблице 1 (см. стр. 90–91).

**Перед началом монтажных работ ознакомьтесь с инструкцией по монтажу и обратите внимание на выполнение следующих требований:**

- мощность и тип каменки должны соответствовать конкретному помещению сауны. Рекомендуемый объем помещения сауны приведен в Таблице 1 (см. стр. 90–91);
- напряжение питания должно соот-

ветствовать климатической установке;

- на месте монтажа климатической установки необходимо обеспечить минимальные безопасные расстояния от корпуса каменки, приведенные в Таблице 1 (см. стр. 90–91);
- размеры моделей (настенного типа и с напольной подставкой) приведены на стр. 106 (РАЗМЕРЫ);
- необходимо следить, чтобы верхний край выходного отверстия вентилятора находился ниже нижнего края полок;
- перед выходным отверстием вентилятора не должно быть препятствий, выдуваемый воздух должен свободно распространяться по помещению сауны;
- климатическая установка работает с максимальной эффективностью, когда кожух дымохода установлен вблизи потолка помещения сауны, а выходящий воздух направлен под полки.

При этом устройство не должно быть расположено так, чтобы верхний край каменки находился выше 80 см от пола. Устройство предназначено для настенного монтажа с помощью шурупов размером 6 мм (нижняя часть) и 5 мм (кожух дымохода). **Стена в месте установки климатического устройства должна выдерживать вес не менее 130 кг.** Тип креплений



необходимо выбирать в соответствии с характеристиками несущей конструкции. Способ крепления должен обеспечивать надежную фиксацию устройства на стене!

**Необходимо строго соблюдать безопасные расстояния, поскольку их нарушение может привести к пожару. В помещении сауны можно устанавливать только одну климатическую установку.**

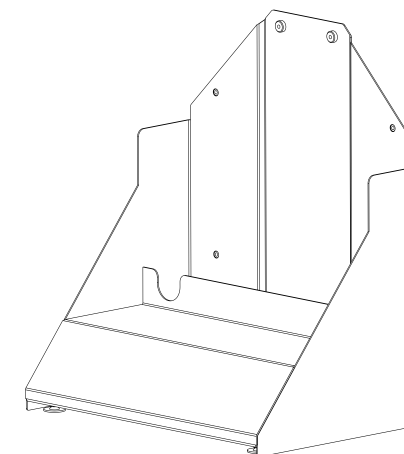
## НАПОЛЬНАЯ ПОДСТАВКА ДЛЯ КАМЕНКИ

Если нет возможности закрепить устройство Saunum Premium на стене (например, стена не может выдержать веса каменки с камнями или устройство пришлось бы монтировать к стеклянной стене), к каменке можно прикрепить специальную напольную подставку (см. ИНСТРУКЦИЮ ПО МОНТАЖУ, стр. 112). Напольная подставка не входит в стандартную комплектацию, ее необходимо заказать отдельно.

Каменка с напольной подставкой не предназначена для использования в качестве свободно стоящего посреди помещения устройства и не должна использоваться таким образом. Напольная подставка

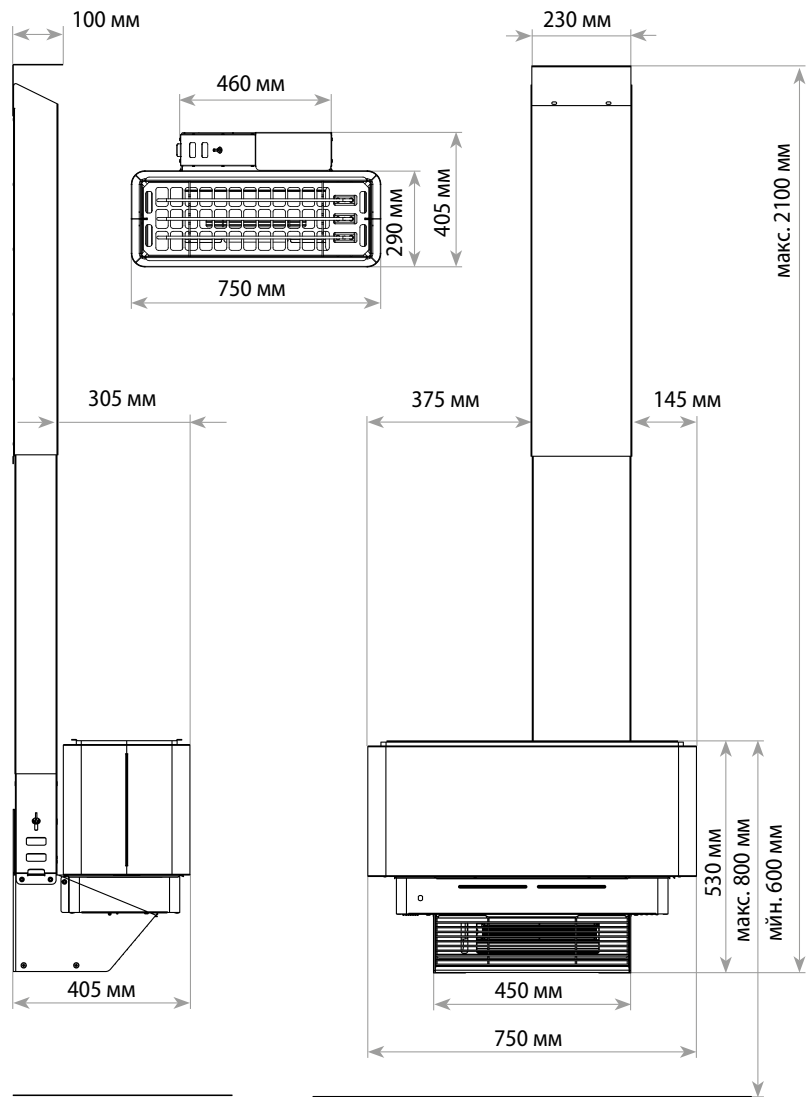
должна размещаться на ровном полу, упираясь задней частью в стену, и надежно крепиться к стене. Ножки должны быть отрегулированы так, чтобы устройство стояло ровно.

Рекомендуется использовать климатическое устройство с защитными ограждениями, чтобы предотвратить ожоги вследствие контакта с каменкой. Если подставку невозможно прикрепить к стене с помощью шурупов (например, если стена стеклянная), наличие ограждений обязательно.



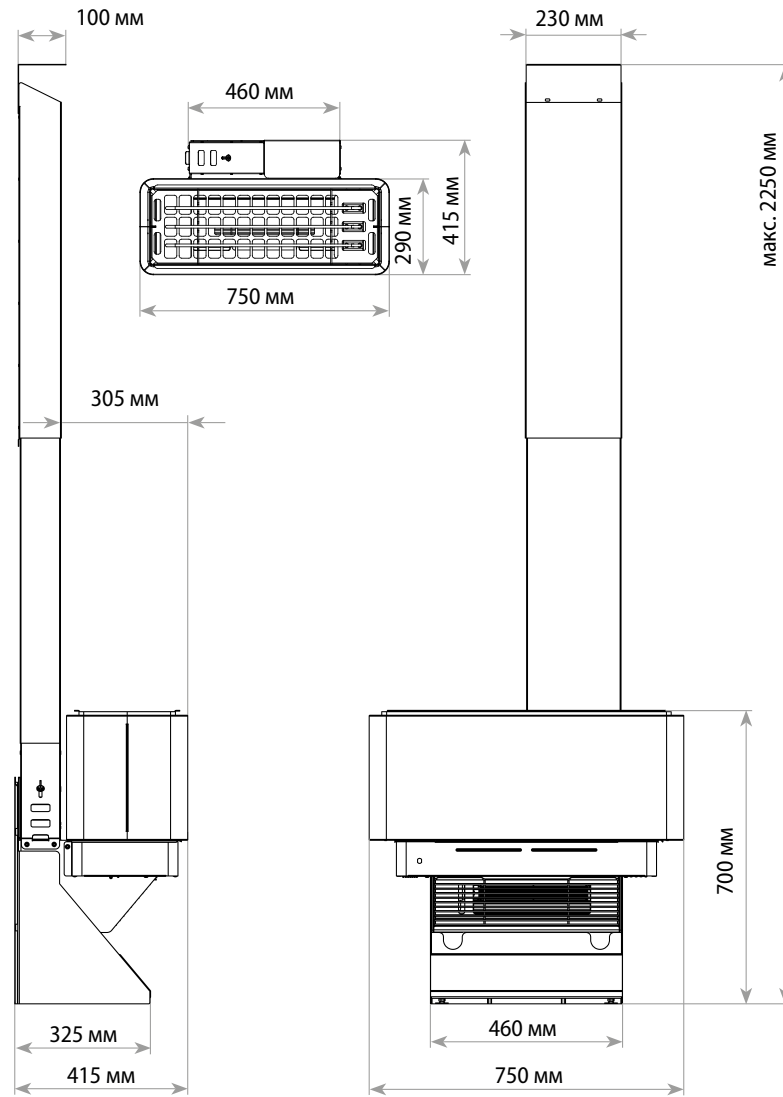
Sa

Saunum Premium



Sa

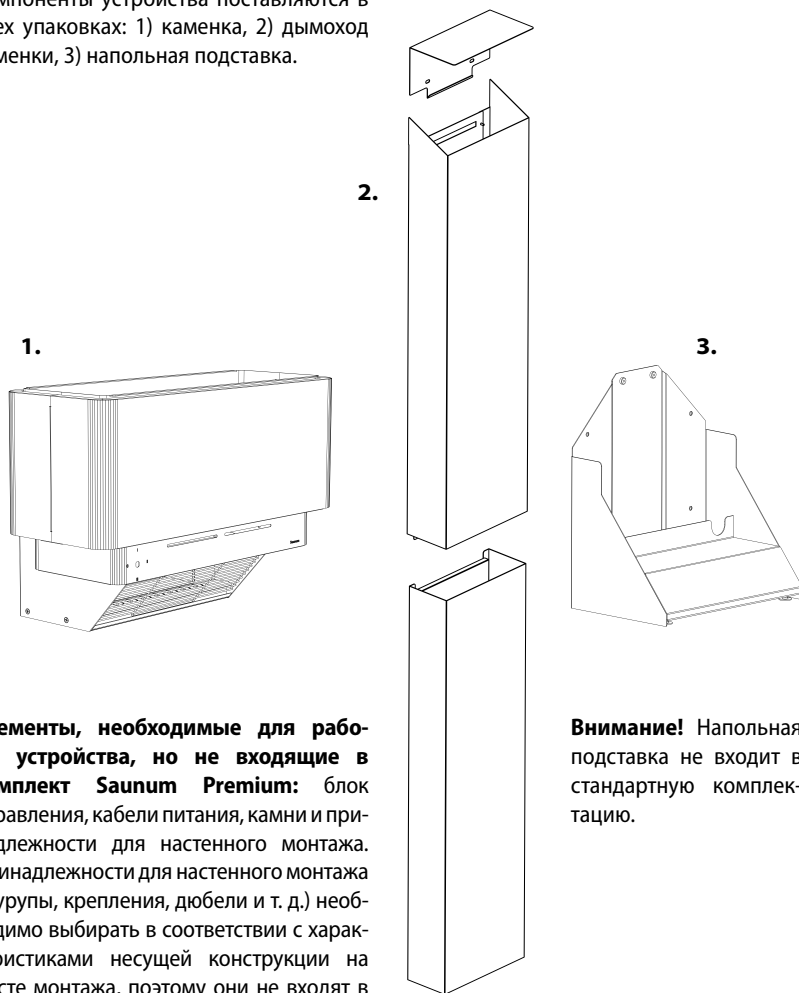
Saunum Premium с напольной подставкой (дополнительное оборудование)



Sa

## КОМПЛЕКТАЦИЯ УСТРОЙСТВА

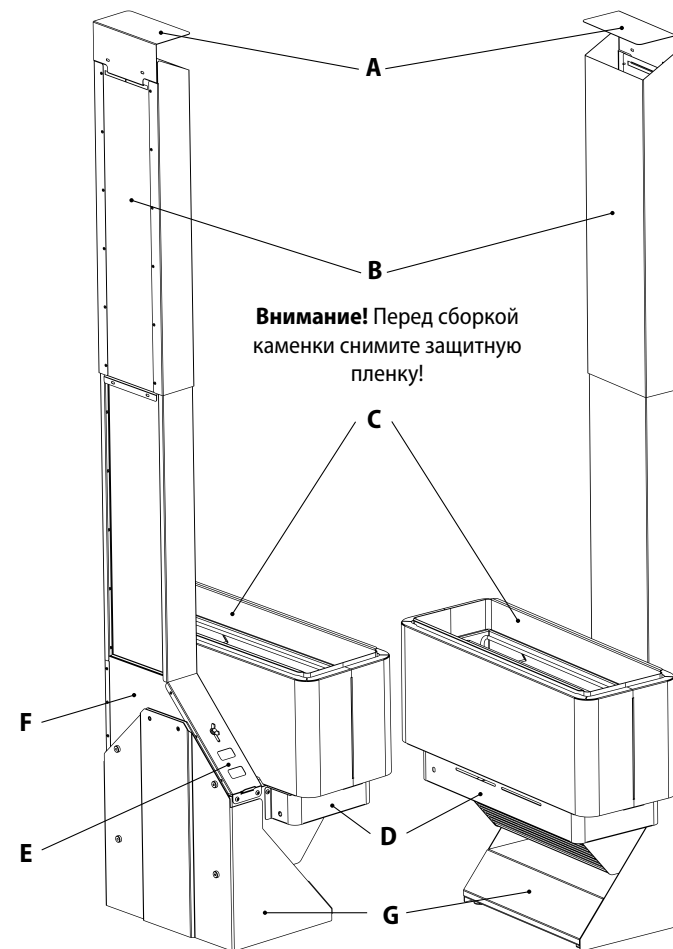
Компоненты устройства поставляются в трех упаковках: 1) каменка, 2) дымоход каменки, 3) напольная подставка.



**Элементы, необходимые для работы устройства, но не входящие в комплект Saunum Premium:** блок управления, кабели питания, камни и принадлежности для настенного монтажа. Принадлежности для настенного монтажа (шурупы, крепления, дюбели и т. д.) необходимо выбирать в соответствии с характеристиками несущей конструкции на месте монтажа, поэтому они не входят в комплектацию Saunum Premium.

**Внимание!** Напольная подставка не входит в стандартную комплектацию.

Sa



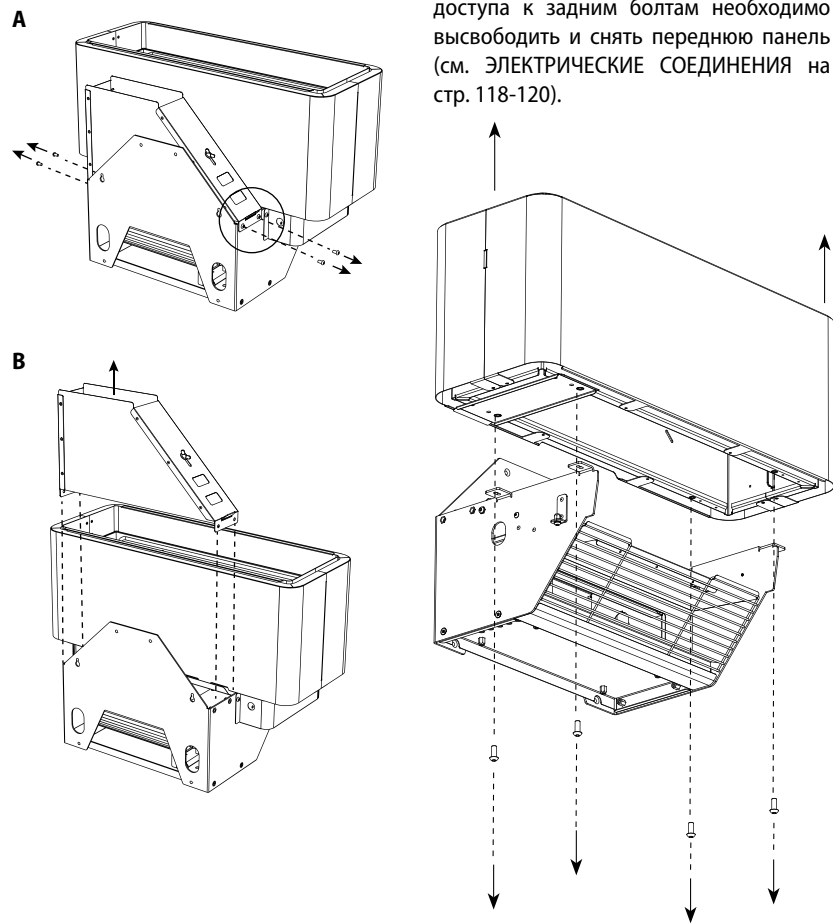
**Внимание!** Перед сборкой каменки снимите защитную пленку!

- A – кожух дымохода
- B – телескопический дымоход
- C – корзина для камней
- D – передняя панель
- E – заслонка для охлаждения воздуха
- F – основание дымохода
- G – напольная подставка (дополнительное оборудование)



**НАСТЕННОЕ КРЕПЛЕНИЕ**

1. Ослабьте четыре крепежных болта (A), удерживающих основание дымохода, и снимите основание дымохода (B).

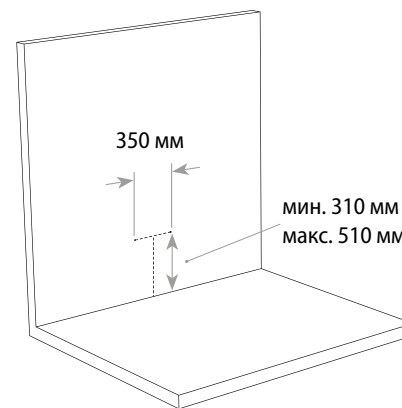
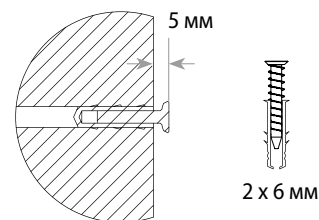


2. Отделите корзину для камней от основного модуля. Если корзина для камней уже прикреплена болтами к основному модулю, ослабьте болты (4 шт.) под днищем корзины для камней, а затем снимите корзину. Для доступа к задним болтам необходимо высвободить и снять переднюю панель (см. ЭЛЕКТРИЧЕСКИЕ СОЕДИНЕНИЯ на стр. 118-120).

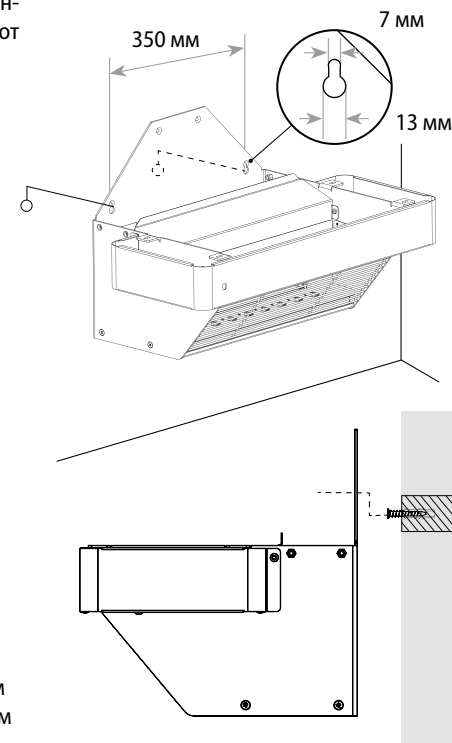


3. Вкрутите шурупы для центральных отверстий настенного крепления в стену, оставив их незавинченными на 5 мм.

**Внимание!** Убедитесь, что высота монтажных отверстий от пола составляет от 310 мм до 510 мм.



4. Поднимите устройство и прикрепите его на стену так, чтобы шурупы на стене вошли в отверстия на задней части устройства.

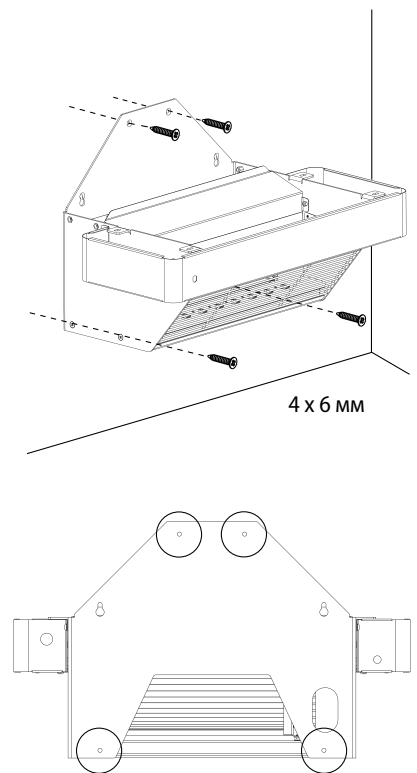


**Внимание!** Поднимая основной модуль, убедитесь, что передняя панель не висит на кабеле питания! Прикрепите переднюю панель к основному модулю как минимум двумя болтами.

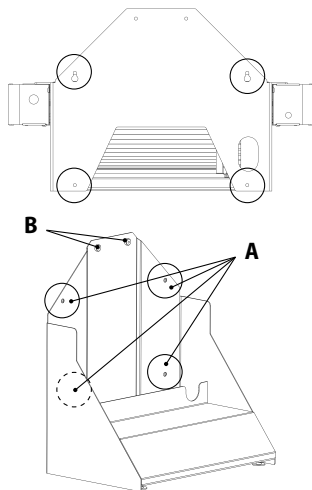


Sa

5. Вкрутите оставшиеся четыре крепежных шурупа в верхние и нижние крепежные отверстия и зафиксируйте с их помощью устройство на стене. Теперь устройство крепится к стене в шести точках.



5.1. Версия с напольной подставкой (см. НАПОЛЬНАЯ ПОДСТАВКА ДЛЯ КАМЕНКИ, стр. 105). Закрепите устройство на напольной подставке четырьмя болтами (А).

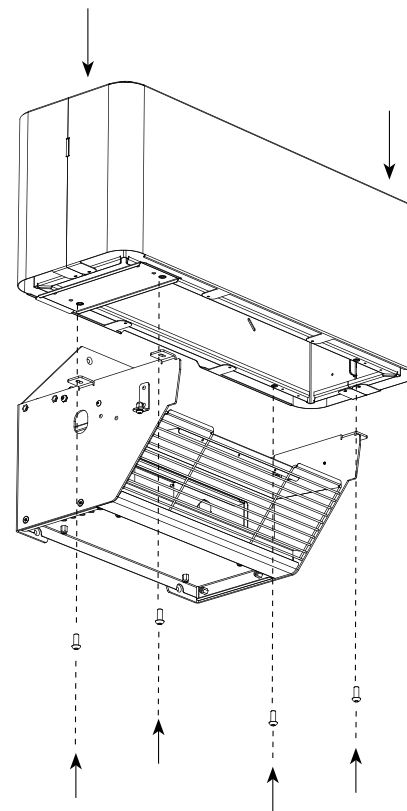


Затем установите устройство на место его эксплуатации. Напольная подставка должна быть установлена на ровном полу, упираясь задней частью в стену. Ножки должны быть отрегулированы так, чтобы устройство стояло ровно.

**Внимание!** Чтобы предотвратить опрокидывание устройства, оно должно быть прикреплено к стене с использованием двух верхних монтажных отверстий (В)! Если климатическую установку невозможно прикрепить к стене, следует обязательно использовать защитные ограждения вокруг каменки!

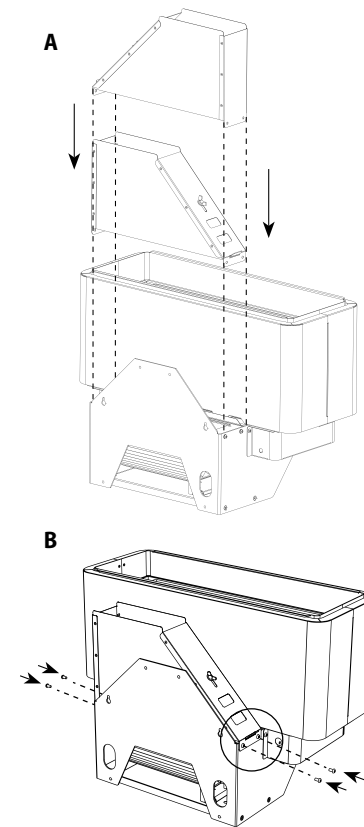
Sa

6. Установите корзину для камней на место и закрепите ее четырьмя болтами.



7. Установите основание дымохода на место (А).

**Внимание!** Основание дымохода можно установить в двух положениях, чтобы дымоход располагался слева или справа от каменки – подходящее положение может выбрать установщик. Закрепите основание четырьмя болтами (В).



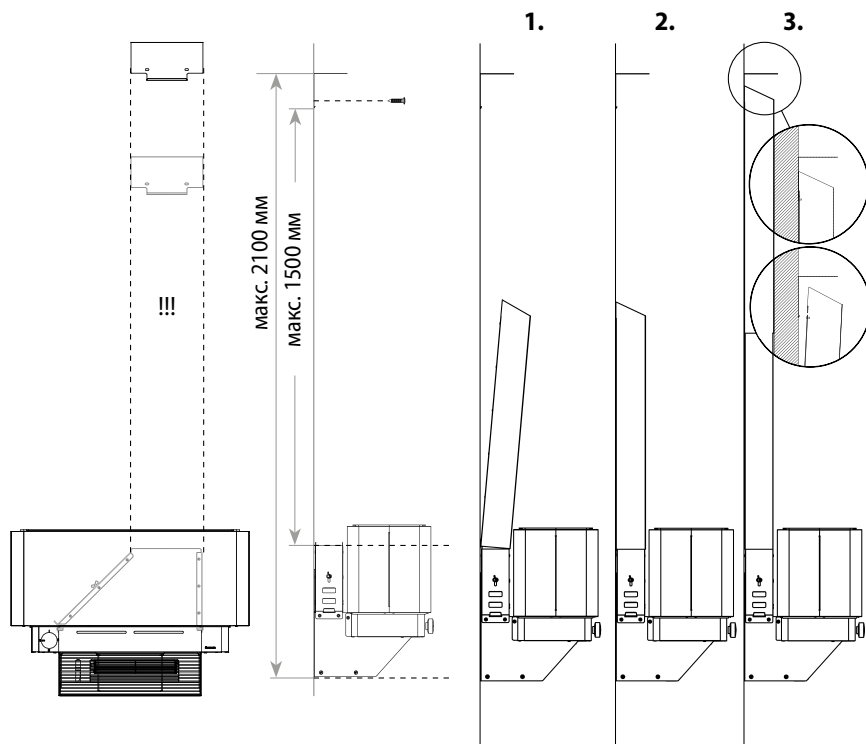
Sa

8. Прикрепите кожух дымохода к потолку помещения сауны двумя шурупами размером 5 мм.

**Внимание!** Убедитесь, что кожух дымохода стыкуется с отверстием в основании дымохода!

9. Поместите нижний конец дымохода на основание.

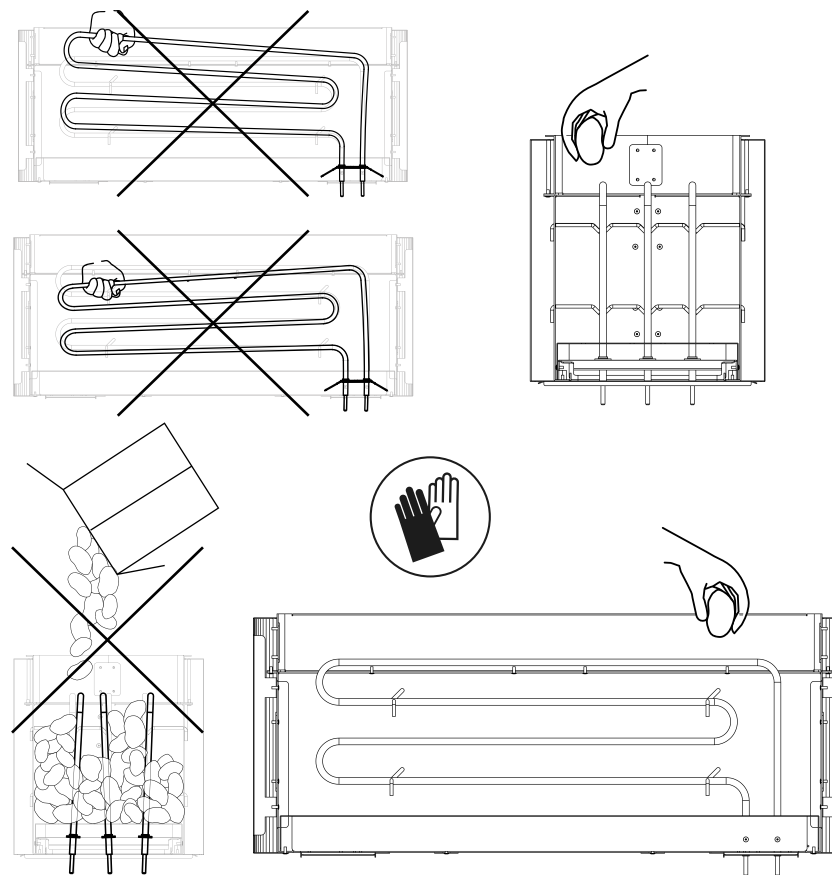
10. Соедините верхнюю и нижнюю части дымохода и повесьте верхнюю часть на кожух дымохода.



Sa

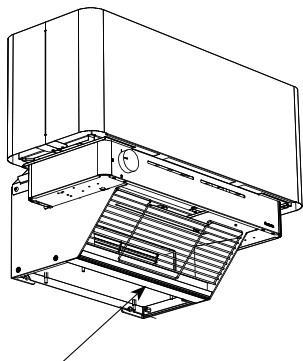
11. Установите опорные рейки нагревательных элементов (см. УСТАНОВКА И ЗАМЕНА НАГРЕВАТЕЛЬНЫХ ЭЛЕМЕНТОВ, стр. 121).

12. Наполните корзину для камней (см. УКЛАДКА КАМНЕЙ, стр. 98).



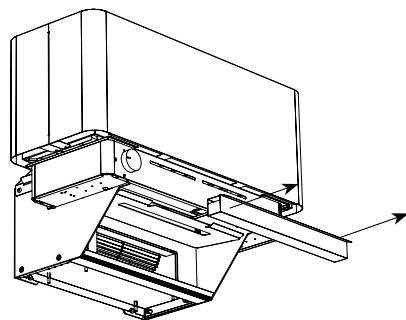
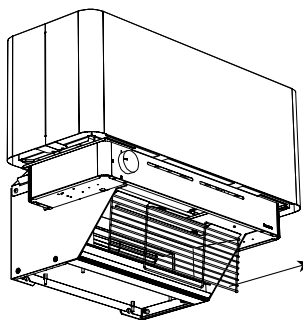
Sa

13. Уложите шарики соли (см. ИСПОЛЬЗОВАНИЕ ШАРИКОВ ГИМАЛАЙСКОЙ СОЛИ, стр. 94).



Снимите решетку вытяжного отверстия, подняв ее (см. направление на схеме) и поместите шарики соли в ячейки. После установки или удаления шариков соли верните решетку на место.

**Климатическую установку можно использовать только при установленной решетке выхода воздуха!**



Sa

### ЭЛЕКТРИЧЕСКИЕ СОЕДИНЕНИЯ

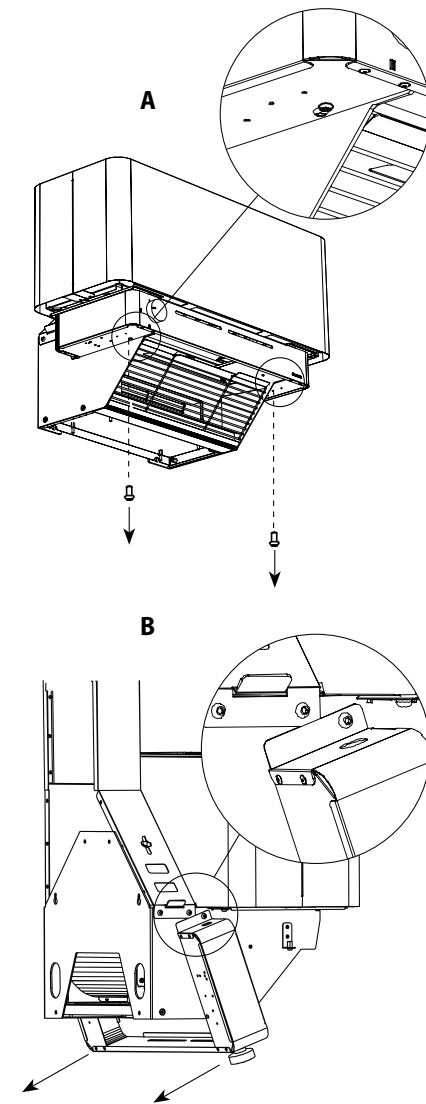
Подключите **нагревательные элементы** в соответствии с электросхемой, приведенной на стр. 118.

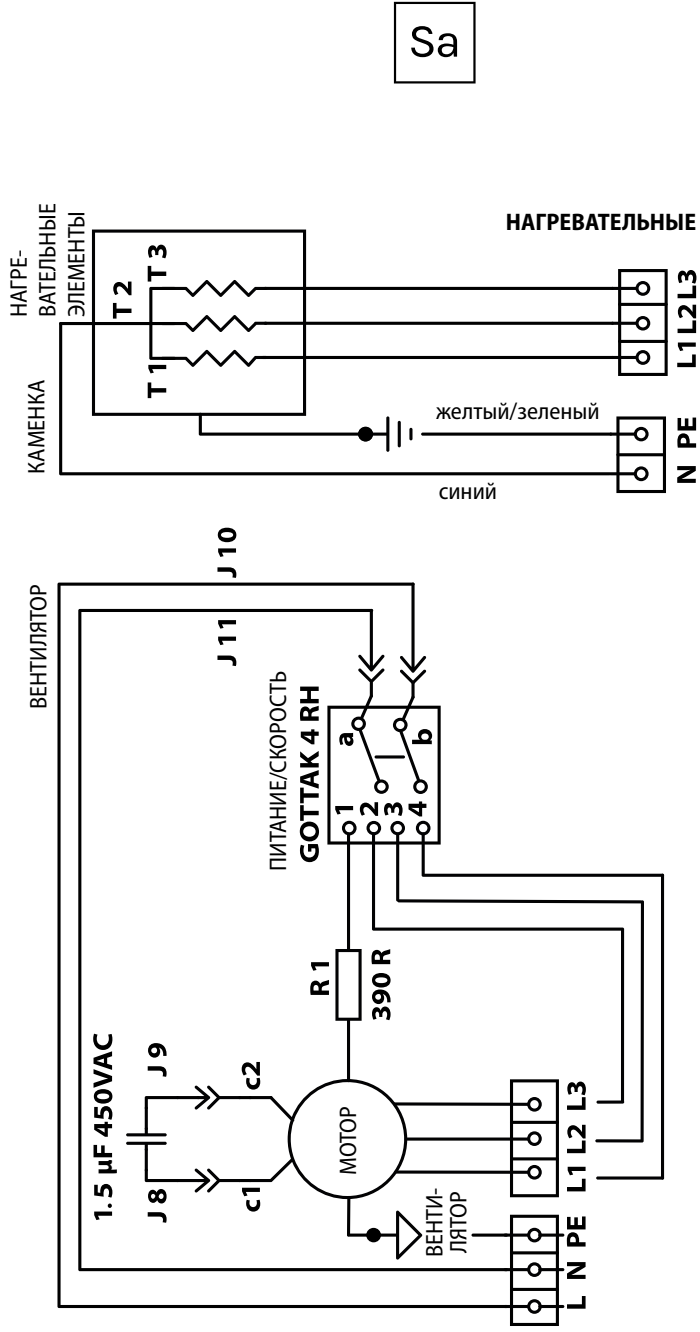
Подключите климатическую установку к блоку управления.

**Электрические соединения устройства должен выполнять квалифицированный электрик согласно действующим стандартам и требованиям. Перед выполнением каких-либо электрических соединений убедитесь, что автоматический размыкатель цепи устройства отключен в электрощите!**

Климатическая установка должна быть подключена полустационарным способом к соединительной коробке на стене помещения сауны. Соединительная коробка должна быть защищена от водяных брызг, и ее максимальная высота от пола не должна превышать 500 мм.

Необходимо использовать соединительный кабель типа H07RN-F с резиновой изоляцией или его аналог. Чтобы получить доступ к электрическим соединениям устройства, необходимо открыть переднюю панель под корзиной для камней. Чтобы снять панель, полностью открутите два болта под устройством (см. рис. А справа). Чтобы получить более удобный доступ, открутите еще и болты по бокам (В).





Sa

КЛЕММА ПИТАНИЯ ВЕНТИЛЯТОРА 230 В пер. тока КЛЕММА ПИТАНИЯ ВЕНТИЛЯТОРА 230/400 В пер. тока

**ВНИМАНИЕ!** РАЗРЕШЕНО ПОДКЛЮЧАТЬ ТОЛЬКО ЧЕРЕЗ ПИТАНИЕ/СКОРОСТЬ ЧЕРЕЗ ПРЕДОХРАНИТЕЛЬНОЕ ИЛИ УПРАВЛЯЮЩЕЕ УСТРОЙСТВО! НЕ СОЕДИНЯТЬ ЧЕРЕЗ УСТРОЙСТВО ДИФФЕРЕНЦИАЛЬНОЙ ЗАЩИТЫ!

Sa

**Внимание!** Из-за возможности термического растрескивания в качестве соединительного кабеля для климатической установки запрещено использовать кабель с ПВХ-изоляцией.

- Внутренние соединения устройства выполняются с помощью винтовых клемм в соответствии с электросхемой (стр. 118) и Таблицей 1 (стр. 90–91), которые приведены в данной инструкции.
- К соединительной клемме устройства следует подключить защитное заземление (PE) с сечением провода не менее 2,5 мм<sup>2</sup>.
- Каменка должна быть подключена к сети переменного тока 380 В (3 фазы) или 230 В (1 фаза) с частотой 50/60 Гц через управляющее устройство, защищенное предохранителем с номиналом, указанным в Таблице 1 (стр. 90–91).
- Если вы хотите подключить вентилятор циркуляции воздуха отдельно от блока управления каменкой, вентилятор должен быть подключен через устройство дифференциальной защиты. При этом защитное заземление (PE) входной клеммы питания вентилятора климатической установки не должно соприкасаться с защитным заземлением входной

клеммы питания каменки. В этом случае для питания вентилятора следует использовать заземленные кабели сечением не менее 1,5 мм<sup>2</sup>.

- Кабель питания должен входить в корпус климатической установки так, чтобы вода не стекала по кабелю в соединительную коробку в корпусе климатической установки. Внешнюю изоляцию кабеля можно снять только с той части, которая находится в корпусе устройства.
- Если соединительные и монтажные кабели расположены на уровне выше 1000 мм от пола или внутри стен помещения сауны, они должны выдерживать температуру не менее 170 °C (например, SSJ). Электрооборудование, установленное в парном помещении на уровне ниже 1000 мм, должно выдерживать температуру не менее 125 °C (например, T125).
- Рекомендуемое сечение жил соединительного кабеля приведено в Таблице 1 (см. стр. 90–91).

**Внимание!** Подключение устройства к электросети разрешено осуществлять только квалифицированному электрику с соблюдением действующих норм!

Sa

Sa

КАБЕЛИ ПИТАНИЯ ДЛЯ SAUNUM PREMIUM



СОПРОТИВЛЕНИЕ ИЗОЛЯЦИИ ЭЛЕКТРИЧЕСКОЙ КАМЕНКИ

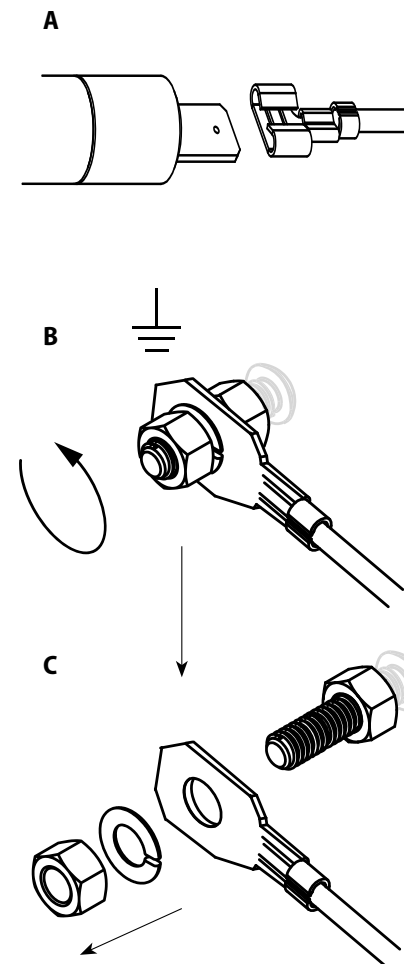
Во время окончательной проверки монтажа электрических соединений при измерении сопротивления изоляции климатической установки возможно обнаружение утечки, возникшей из-за того, что изоляционный материал нагревательных элементов впитал в себя влагу из воздуха (во время хранения или транспортировки). В процессе использования климатической установки влага испарится.

**Внимание! Не подключайте каменку к электрической сети через устройство дифференциальной защиты!**

УСТАНОВКА И ЗАМЕНА НАГРЕВАТЕЛЬНЫХ ЭЛЕМЕНТОВ

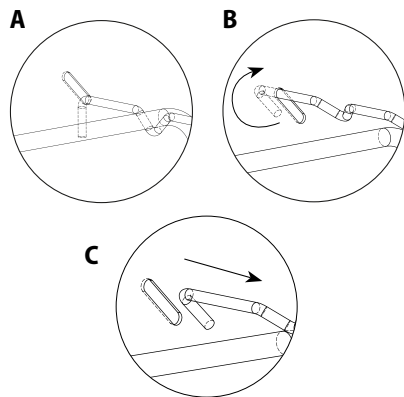
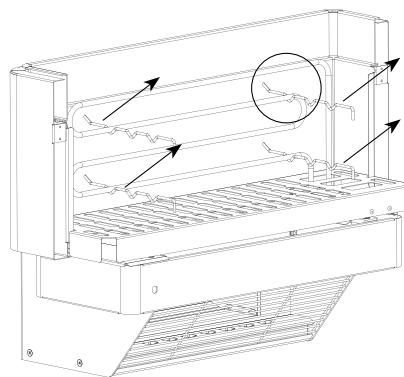
**Внимание! Перед заменой нагревательных элементов убедитесь, что автоматический размыкатель цепи устройства отключен в электрощите!**

Нагревательные элементы соединены с устройством при помощи концевых клемм (А). Перед снятием нагревательных элементов необходимо отсоединить концевые клеммы (Б). Отсоедините защитное заземление от болта каменки (В, С).

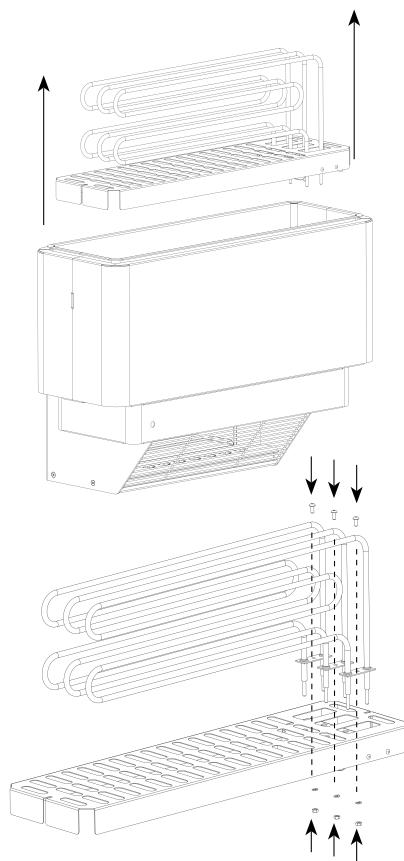


Sa

Затем снимите четыре опорные рейки нагревательных элементов (А). Для этого поверните рейку так, чтобы ее загнутый конец расположился параллельно отверстию в корпусе (В), а затем проденьте конец рейки через отверстие, держа рейку под небольшим углом, сначала с одной стороны (С), а затем с другой стороны.



Теперь нагревательные элементы можно вынуть из корзины для камней вместе с основанием. Нагревательные элементы прикреплены к основанию болтами.



Заменяв нагревательные элементы, закрепите все детали в обратном порядке.

Sa

## ОБЩИЕ УСЛОВИЯ ГАРАНТИИ НА ИЗДЕЛИЯ SAUNUM

Согласно условиям гарантии на устройства Saunum, производитель гарантирует отсутствие дефектов изделия, вызванных материалами или качеством сборки, на протяжении указанного периода времени с даты покупки. При возникновении дефекта устройства, вызванного использованием некачественных материалов или качеством сборки, в течение гарантийного периода производится ремонт или замена устройства или неисправных деталей у рекомендованной компанией Saunum специалистами без платы за ремонтные работы и запасные части, согласно приведенным ниже условиям. Saunum оставляет за собой право принимать решение о замене неисправного компонента или замене устройства на новое. Замененные дефектные компоненты устройства остаются в собственности компании Saunum.

### Условия гарантии:

1. Гарантия действительна только в том случае, если вместе с заявкой будет предоставлен заполненный протокол монтажа.
2. Подключение устройства к электросети было осуществлено ква-

лифицированным электриком с соблюдением действующих норм.

3. При использовании в частной сауне срок гарантии на климатическую установку составляет два (2) года.
4. При использовании в общественной сауне срок гарантии на климатическую установку составляет один (1) год.

### На что гарантия не распространяется:

1. Регулярное техническое обслуживание и чистка устройства, а также замена компонентов в связи с естественным износом.
2. Внесение изменений в устройство или его модификация для использования в целях, отличных от указанных в инструкции по эксплуатации.
3. Риски, возникающие при транспортировке.
4. Повреждения, возникшие в результате неправильной эксплуатации устройства.
5. Повреждения, возникшие в результате неправильного монтажа устройства.
6. Ремонт устройства, который не был выполнен специалистом,



рекомендованным компанией Saunum (партнером по техническому обслуживанию).

7. Повреждения из-за несчастных случаев, удара молнии, воздействия воды, огня, неправильной вентиляции или иных факторов, не зависящих от компании Saunum.
8. Неисправности, вызванные использованием камней и шариков соли, не рекомендованных компанией Saunum.
9. Нагревательные элементы и шарiki соли.

Список рекомендованных Saunum специалистов по установке и обслуживанию можно найти на веб-сайте компании Saunum Saunas OÜ [www.saunum.com](http://www.saunum.com) или связавшись с нами по адресу электронной почты [info@saunum.com](mailto:info@saunum.com).

Указания по обслуживанию устройства Saunum можно найти в инструкции по эксплуатации.

**Внимание!** Подключение климатической установки к электросети разрешено осуществлять только квалифицированному электрику с соблюдением действующих норм.

Внимательно ознакомьтесь со всеми указаниями инструкции по эксплуатации **перед использованием устройства** и храните ее в безопасном и легкодоступном месте на случай необходимости.



## ПРОТОКОЛ МОНТАЖА

Дата покупки: \_\_\_\_\_

Тип каменки: \_\_\_\_\_

Наклейка/серийный номер: \_\_\_\_\_ Дата монтажа: \_\_\_\_\_

Место монтажа: \_\_\_\_\_

Монтаж выполнил: \_\_\_\_\_

Проверил: \_\_\_\_\_

Дата, подпись: \_\_\_\_\_

Описание выполненных работ: \_\_\_\_\_

Все компоненты для монтажа имеются в наличии \_\_\_\_\_

Дефекты окраски и вмятины отсутствуют \_\_\_\_\_

Установлено на стену или на пол согласно инструкции \_\_\_\_\_

Электрические соединения выполнены в соответствии с инструкцией по монтажу \_\_\_\_\_

Все нагревательные элементы нагреваются \_\_\_\_\_

Три скорости вентилятора работают / в правильном порядке \_\_\_\_\_

Примечания: \_\_\_\_\_

Контактные данные клиента (имя, адрес электронной почты): \_\_\_\_\_

Работа принята: \_\_\_\_\_



Заявление о соответствии стандартам ЕС

Производитель: Saunum Saunas OÜ  
Адрес: Суур-Паала 19  
11415 Таллинн, Эстония

подтверждает, что изделие

## **Каменка для сауны с климатической установкой Saunum Premium**

соответствует требованиям следующих директив Совета Европы при условии, что монтаж был выполнен в соответствии с инструкцией по монтажу, выданной производителем оборудования, и стандартом EN 60204-1 «Безопасность машин. Электрооборудование машин – Часть 1:

Общие требования»:

Директива 2006/42/ЕС о безопасности машин и оборудования;

Директива 2014/35/ЕС о низковольтном оборудовании;

Директива 2014/30/ЕС об электромагнитной совместимости.



# Saunum

Saunaofen mit Klimagerät

## **Saunum Premium**



## DAS BESTMÖGLICHE SAUNAERLEBNIS

*Ich freue mich sehr, dass Sie in die Saunum-Anlage investiert haben, und glaube fest daran, dass unsere innovative Technologie Ihnen ein tolles und außergewöhnliches Saunaerlebnis ermöglichen wird.*

Ich habe einen Abschluss in Wärmetechnik und komme aus dem Süden Estlands, wo auch meine Liebe zum Saunieren ihren Ursprung hat. Die Besonderheit der lokalen, historischen Rauchaunas ist die niedrigere Temperatur und höhere Feuchtigkeit als beispielsweise in einer klassischen finnischen Sauna. In herkömmlichen Saunas hat der Saunaofen meist ein recht kleines Steinvolumen. Dies kann zu abruptem, brennend heißem Dampf und einer extrem ungleichmäßigen Temperatur führen, wobei auf Kopf- und Schulterhöhe ziemlich viel Hitze entsteht, während die Füße kalt bleiben. Eine solche Erfahrung kann sehr unangenehm sein, Kopfschmerzen verursachen und den Körper unter Stress setzen. In antiken Rauchaunas und in den Saunas der Ureinwohner Amerikas hingegen wurden die Steine zunächst im Laufe des Tages erhitzt. Dann wurde die in den Steinen gespeicherte Wärme genutzt, um den Körper zu reinigen und ein sehr angenehmes Saunaerlebnis zu schaffen.

Inspiriert vom Erlebnis der Rauchauna wollte ich eine innovative Lösung finden, die das Beste einer authentischen Sauna mit moderner Technologie vereint und so ein angenehm mildes und entspannendes Saunaerlebnis ohne den quälenden, brennenden Dampf ermöglicht. Dafür musste ich jedoch das Problem lösen, eine gleichmäßige Temperatur sowohl am Kopf als auch an den Füßen zu erreichen. Meine Entwicklung wurde von einer Forschungsarbeit unterstützt, die Seite an Seite mit der Technischen Universität in Tallinn durchgeführt wurde. Darin analysierten wir die Temperaturschichtung



und Luftbewegung im Saunaraum. Saunum wurde aus dem Verschmelzen von wissenschaftlichem Denken und technologischer Innovation heraus geboren.

Das einzigartige, patentierte Luftschichten-Mischsystem von Saunum fängt den heißen Dampf auf, der zur Decke des Saunaraums aufsteigt, vermischt diesen mit kühlerer Luft von der Fußbodenoberfläche und leitet den abgemilderten Dampf gleichmäßig zurück. Das erzeugt eine angenehme, weniger aggressive Wärme. So können Sie gemütlich in der Sauna sitzen und schwitzend die porentiefe Reinigung genießen, ohne dabei zu ermüden. Das Steinvolumen unserer Öfen ist erheblich größer als das anderer Saunaöfen. Daraus resultiert das besonders angenehme Innenraumklima mit lang anhaltendem und sanftem Dampf.

Eine feuchte Dampfsauna, ein Sanarium, eine therapeutische Salzsäuna oder eine gesunde Aromasauna – all diese Funktionen stehen in den Anlagen von Saunum zur Verfügung, um ein Saunaerlebnis mit echter Entspannung zu verwirklichen. Bei der Nutzung von Himalaya-Salzkugeln in unserer Anlage verdampfen Salzionen, die wohltuend für die Haut und Atemwege sind; der Dampf zirkuliert diese anschließend in der Luft. Der Einbau eines Sauna-Aromasystems, das Dampf und gesundes Aromaöl miteinander vermischt, erzeugt eine Saunaaumgebung mit noch größerem Wohlgefühlcharakter.

Die Saunaanlagen von Saunum eignen sich sowohl für Kinder als auch für Erwachsene.

**Genießen Sie das Saunieren!**

Andrus Vare  
Gründer von Saunum

Sa

Saunum **gratuliert Ihnen**  
zum Kauf eines Ofens mit  
innovativem Saunaklimagerät  
von Saunum.

Sa

## INHALTSVERZEICHNIS

Sicherheitsinformationen .....	132
<b>BEDIENUNGSANWEISUNGEN</b>	
Aufheizen des Aufgussraums .....	134
Verwendung des Saunaklimageräts .....	134
Einstellen der Temperatur .....	135
Regulieren des Saunaklimas .....	135
Verwendung von Himalaya-Salzkugeln .....	136
Der Aufguss .....	136
Sicherheitshinweise .....	137
Problemlösung .....	138
Auflegen der Steine .....	140
Wartung des Saunaklimageräts .....	140
Aufgussraum .....	141
Belüftung des Aufgussraums .....	142
Leistung des Ofens .....	142
<b>INSTALLATION</b>	
Vor der Installation .....	144
Standfuß des Ofens .....	145
Abmessungen .....	146
Vollständigkeit des Produkts .....	148
Teile des Geräts .....	149
Installationsanweisungen .....	150
Elektrischer Anschluss .....	157
Installation und Austausch der Heizelemente .....	161
Garantie .....	163
<b>Installationsbericht</b> .....	165

Sa

## SICHERHEITSGEWEISSINFORMATIONEN

Diese Installations- und Bedienungsanleitung ist für den Eigentümer der Sauna bzw. die für die Wartung zuständige Person sowie für den Elektriker bestimmt, der die Installation des Ofens mit Aufgussraum-Klimagerät durchführt. Nach der Installation des Ofens mit Klimagerät muss die Anleitung an den Eigentümer oder die für die Wartung zuständige Person übergeben werden.

Lesen Sie vor der Verwendung des Ofens **Saunum Premium** mit Klimagerät (nachfolgend als „Saunaklimagerät“ bezeichnet) die Installations- und Sicherheitsanweisungen.

Das Saunaklimagerät ist zum Aufheizen des Aufgussraums auf 60–100 °C und zum Anpassen des Innenraumklimas der Sauna während des Aufgusses vorgesehen.

**Bitte beachten! Das Saunaklimagerät und der Ofen dürfen nicht mit Temperaturen über 100 °C betrieben werden!**

**Bitte beachten! Das Saunaklimagerät Saunum Premium ist zur Verwendung mit dem LEIL-Steuergerät bei Temperaturen bis 100 °C konzipiert.**

**Bitte beachten! Wenn das Saunaklimagerät Saunum Premium in Verbindung mit Steuergeräten anderer Hersteller verwendet wird, darf die Temperatur 90 °C nicht überschreiten!**

**Bitte beachten! Dieses Handbuch gilt nur für private Saunas. Für öffentliche Saunas gelten besondere Bedingungen, die mit dem Hersteller abgesprochen werden müssen.**

**Bitte beachten! Der Hersteller ist nicht für die falsche Anwendung des Geräts verantwortlich!**

Tabella 1.

GERÄT	LEISTUNG	ABSICHERUNG 3-phasig	NETZKABEL mm <sup>2</sup>		Mindesthöhe der Decke	Minimaler Sicherheitsabstand zum Ofen	Rauminhalt des Aufgussraums m <sup>3</sup>
			3-phasig	1-phasig/ Ventilator			
Saunum Premium	6 kW	C10	5 x 2,5	5 x 0,75*	200 cm	50 mm von den Seiten, 75 mm von vorn, Höhe zur Decke 1.000 mm (von den Steinen)	5–8
Saunum Premium	9 kW	C16	5 x 2,5	5 x 0,75*	200 cm	50 mm von den Seiten, 100 mm von vorn, Höhe zur Decke 1.000 mm (von den Steinen)	9–12

\* Mit Saunum-Steuergerät Leil min. 5 x 0,75 mm<sup>2</sup> / mit jedem anderen Steuergerät 3 x 1,5 mm<sup>2</sup>

Sa

**Bitte beachten! Verwenden Sie das Saunaklimagerät für keinerlei anderen Zwecke!**

**Bitte beachten! Zur Verbindung des Saunaklimageräts mit dem Stromnetz ist ein Steuergerät zur Steuerung der elektrischen Heizung erforderlich. Das Steuergerät muss zur Leistung der verwendeten Heizung gemäß Tabelle 1 passen.**

Das Steuergerät muss in der Lage sein, den Ventilator des Saunaklimageräts zu steuern, und eine Funktion zum gleichzeitigen Ausschalten von Ofen und Ventilator wird empfohlen.

**Um eine lange Lebensdauer des Geräts zu gewährleisten, stellen Sie sicher, dass die Temperatur des Aufgussraums auf Höhe des unteren Geräteteils 80 °C nicht übersteigt.** Wird diese überschritten, spricht der Wärmeschutz an und der Ven-

tilator wird gestoppt; der Ventilator wird wieder in Betrieb genommen, wenn die Temperatur unter die Sicherungsgrenze der Anwendung fällt.

Der Hersteller haftet nicht für Störungen, die durch Überschreitungen der zulässigen Betriebstemperatur entstanden sind.

**Bitte beachten!** Die Maximaltemperatur auf Höhe des Steuergerät-Temperatursensors (30 cm vom Ofen und 5 cm von der Decke entfernt) beträgt 100 °C.

Sa

## AUFHEIZEN DES AUFGUSSRAUMS

Bevor Sie das Saunaklimagerät zum ersten Mal verwenden, stellen Sie Folgendes sicher:

- Die elektrischen Anschlüsse erfüllen die Anforderungen.
- Die Versorgungsspannung entspricht den für das Saunaklimagerät zulässigen Nennwerten.
- Die Schutzerdung (PE) ist in einwandfreiem Zustand.
- Die Befestigungselemente des Gerätegehäuses müssen in Ordnung sein.
- Das Saunaklimagerät ist ordnungsgemäß an der Wand befestigt und die Wand kann das Gewicht des Geräts in Verbindung mit den Steinen tragen.
- Die Überstromsicherungen sind in einwandfreiem Zustand.
- Der Rotor des Ventilators lässt sich ohne Widerstand drehen.
- Bei der Montage des Geräts wurden keine Werkzeuge oder Materialien im Gehäuse des Geräts vergessen.

Prüfen Sie beim Einschalten des Saunaklimageräts Folgendes:

- Richtung des Luftstroms – Aufnahme der Luft über die obere und Ausstoß durch die untere Öffnung.
- Der Ventilator erzeugt im Betrieb keine Vibration und keine übermäßigen Geräusche.

Wenn das Saunaklimagerät zum ersten Mal eingeschaltet wird, geben die Heizelemente und die Steine einen gewissen Geruch ab. Der Aufgussraum muss ausreichend belüftet werden, um den Geruch zu entfernen.

Sofern die Leistung des Ofens für die Größe des Aufgussraums geeignet ist, dauert es in einem ordnungsgemäß isolierten Aufgussraum 45 bis 90 Minuten, um die gewünschte Temperatur zu erreichen. Die Steine werden üblicherweise gleichzeitig mit dem Aufgussraum auf die Dampftemperatur aufgeheizt.

Schalten Sie den Ventilator kurz vor Betreten des Aufgussraums ein – so vermeiden Sie eine Überhitzung der Saunabank und übermäßigen Energieverbrauch. **Die von Saunum empfohlene Temperatur für den Saunabetrieb beträgt 65 °C bis 80 °C.**

## VERWENDUNG DES SAUNAKLIMAGERÄTS

**Bitte beachten!** Stellen Sie vor dem Einschalten des Saunaklimageräts stets sicher, dass sich keine Gegenstände über dem Gerät oder in dessen Nähe befinden.

Die Betriebszeit des Saunaklimageräts **Sauna Premium** kann über ein separates Steuergerät eingestellt werden.

Sa

- Schließen Sie das Gerät nicht direkt an das Stromnetz an!
- Das Saunaklimagerät darf nicht verwendet werden, wenn Gehäusekomponenten entfernt wurden und/oder der elektrische Anschluss verändert wurde.
- Kinder sollten niemals allein die Sauna betreten oder mit dem Saunaklimagerät spielen.
- Beachten Sie beim Ein- und Ausschalten des Saunaklimageräts die Bedienungsanweisungen für das jeweils verwendete Steuergerät.

**Bitte beachten!** Stellen Sie nach Verwendung der Sauna sicher, dass alle Teile des Saunaklimageräts ausgeschaltet sind (sowohl Heizung als auch Ventilator sind nicht mehr in Betrieb).

## EINSTELLEN DER TEMPERATUR

**Bitte beachten!** Es wird empfohlen, beim Aufheizen des Aufgussraums den Ventilator des Saunaklimageräts ausgeschaltet zu lassen!

Auf diese Weise wird der Aufgussraum schneller aufgeheizt, und eine Überhitzung der Saunabank wird vermieden. Um die richtige Einstellung zu finden, beginnen Sie

zunächst mit der niedrigsten Temperatur und der niedrigsten Luftstromgeschwindigkeit. Wenn die Temperatur zu hoch wird, während Sie sich im Aufgussraum befinden, senken Sie die maximale Temperatur oder verringern Sie die Ventilatorumdrehzahl des Klimageräts.

## REGULIEREN DES SAUNAKLIMAS

Die Menge der vom Gerät erzeugten Luftzirkulation wird über einen Schalter auf der Gerätevorderseite geregelt, links am unteren Teil. Der Schalter hat vier Stellungen und kann sowohl im als auch gegen den Uhrzeigersinn gedreht werden. Wenn der Streifen auf dem Schalter nach links zeigt, ist der Ventilator des Saunaklimageräts ausgeschaltet.

**Die Luftstromgeschwindigkeit** wird durch Drehen des Schalters im Uhrzeigersinn erhöht, wobei Sie zwischen drei Geschwindigkeiten wählen können. Zur Regulierung der Lufttemperatur im Aufgussraum befindet sich ein KÜhlungsschieber auf der linken Seite des Abzugsockels unterhalb des Steinkorbs (siehe Seite 149). Es wird empfohlen, den KÜhlungsschieber zu 1/3 geöffnet zu lassen. Um den Dampf abzukühlen, öffnen Sie den Schieber versuchsweise Stück für Stück.

Sa

## VERWENDUNG VON HIMALAYA- SALZKUGELN

Das Saunaklimagerät wird mit Himalaya-Salzkugeln geliefert. Die Verwendung von Salzkugeln im Gerät ist optional und hat keinen Einfluss auf die Hauptfunktion des Geräts.

Die Salzkugeln müssen in die Ablage zwischen dem Luftaustrittsgitter und dem Ventilator gelegt werden. Stellen Sie sicher, dass die Salzkugeln korrekt eingelegt werden und die Drehung des Ventilators nicht stören.

Um die Salzkugeln einzulegen oder zu entfernen, entfernen Sie das Luftaustrittsgitter (siehe Seite 156), und legen Sie die Salzkugeln in die dafür vorgesehene Ablage. Nachdem Sie die Salzkugeln eingelegt oder entfernt haben, positionieren Sie das Gitter neu. Das Saunaklimagerät kann nur verwendet werden, wenn das Luftaustrittsgitter montiert ist! Sollten Salzkugeln in das Ventilatorgehäuse geraten sein, darf das Gerät nicht verwendet/in Betrieb gesetzt werden!

**Bitte beachten!** Die Verwendung von Salzkugeln von anderen Anbietern wird nicht von der Gerätegarantie abgedeckt.

## DER AUFGUSS

Die Luft in der Sauna wird beim Aufheizen trockener. Daher muss Dampf erzeugt werden, um eine geeignete Luftfeuchtigkeit zu erreichen. Die Wirkung von Hitze und Dampf auf Menschen ist unterschiedlich. Durch Probieren der verschiedenen Einstellungen des Saunaklimageräts können Sie eine für Sie geeignete Kombination aus Temperatur und Feuchtigkeit ermitteln.

**Das Volumen der Aufgusskelle sollte maximal 0,2 Liter betragen. Beim Aufguss sollte die Wassermenge 0,2 Liter nicht überschreiten; wird zu viel Wasser auf einmal auf die Steine gegossen, kann ein Teil davon als kochendes Wasser umherspritzen.**

Stellen Sie sicher, dass sich beim Aufguss alle Personen in sicherem Abstand zum Ofen befinden! Heißer Dampf und heiße Wasserspritzer können zu Verbrennungen führen. Das auf den Ofen gegossene Wasser muss die Anforderungen an Trinkwasser erfüllen. Verwenden Sie nur Duftstoffe, die speziell für die Verwendung in einer Sauna vorgesehen sind. Befolgen Sie die Anweisungen auf der Verpackung.

**Bitte beachten!** Gießen Sie kein Wasser in die Belüftungsöffnungen des Saunaklimageräts!

Sa

## SICHERHEITSHINWEISE

- Ein längerer Aufenthalt in der Sauna führt zu einer erhöhten Körpertemperatur, die gesundheitsschädlich sein kann!
- Berühren Sie niemals den heißen Ofen – die Steine und die Außenseite des Ofens können zu Verbrennungen führen!
- Lassen Sie keine Kinder, behinderte oder kranke Personen ohne Aufsicht in der Sauna zurück!
- Wenden Sie sich bezüglich möglicher medizinischer Kontraindikationen gegen Dampf an einen Arzt!
- Wenden Sie sich bezüglich möglicher medizinischer Kontraindikationen gegen eine Salzkur an einen Arzt!
- Stellen Sie sicher, dass Sie nicht gegen Salzkuren allergisch sind. Saunum ist nicht für die Nebenwirkungen einer Salzkur verantwortlich!
- Wenden Sie sich in Bezug auf die Anwesenheit von Kindern im Aufgussraum an einen Kinderarzt oder Hausarzt!
- Bewegen Sie sich in der Sauna und im Aufgussraum vorsichtig, da die Bank und der Fußboden rutschig sein können!
- Gehen Sie nicht unter dem Einfluss von Alkohol, Drogen oder Narkotika in die Sauna!

- Schlafen Sie nicht im heißen Aufgussraum!
- Seeluft und feuchtes Klima können zu einer Oxidschicht (Rost) auf den Metalloberflächen des Ofens führen.
- Sorgen Sie für ausreichende Belüftung im Aufgussraum. Saunum ist nicht verantwortlich für eine mögliche Salzkorrosion von Geräten. Wenden Sie sich bei Bedarf an einen Experten!
- Trocknen Sie keine Handtücher und Kleidungsstücke im Aufgussraum – dies kann zu einem Brand führen!
- Übermäßige Feuchtigkeit kann zur Beschädigung der elektrischen Ausrüstung führen!
- Es dürfen sich keinerlei Hindernisse näher als 50 cm vor der Ventilatoröffnung befinden!
- Die Benutzer der Sauna dürfen ihre Füße oder andere Körperteile nicht näher als 50 cm vor den Ventilator halten!

**Bitte beachten! Der elektrische Ofen erfordert eine Schalttafel und Steine.**

**Bitte beachten!** Lassen Sie den Ventilator des Klimageräts nicht laufen, wenn Sie sich nicht im Aufgussraum befinden – dies führt zu übermäßigem Energieverbrauch, und die Saunabank wird zu heiß!

Sa

## PROBLEMLÖSUNG

**Bitte beachten!** Lassen Sie die Wartung von einem ausgebildeten Servicetechniker durchführen.

**Bei Störungen im Betrieb des Saunaklimageräts muss dieses sofort ausgeschaltet und durch eine von Saunum autorisierte Person untersucht werden.**

### DAS SAUNAKLIMAGERÄT HEIZT NICHT ODER BLÄST KEINE LUFT.

- Stellen Sie sicher, dass die Sicherungen des Ofens in einwandfreiem Zustand sind.
- Stellen Sie sicher, dass das Netzkabel angeschlossen ist.
- Stellen Sie sicher, dass das Saunaklimagerät eingeschaltet ist.
- Erhöhen Sie die maximale Temperatur für den Aufgussraum.

### DER AUFGUSSRAUM WIRD NUR LANGSAM AUFGEHEIZT. AUF DIE STEINE GEGOSSENES WASSER KÜHLT DIESE SCHNELL AB.

- Stellen Sie sicher, dass der Umwälzventilator des Saunaklimageräts beim Aufheizen ausgeschaltet ist.
- Stellen Sie sicher, dass die Sicherungen des Klimageräts in einwandfreiem Zustand sind.
- Stellen Sie sicher, dass alle Heizelemente sichtbar heiß sind (glim-

mend), wenn das Saunaklimagerät in Betrieb ist.

- Erhöhen Sie die auf dem Steuergerät ausgewählte Temperatur.
- Stellen Sie sicher, dass die Leistung des Ofens ausreicht.
- Prüfen Sie die Steine. Steine, die zu eng nebeneinander gelegt wurden, heruntergefallen sind oder sich mit der Zeit absenken, oder die falsche Art von Steinen können den Luftstrom durch den Ofen behindern und damit das Aufheizen verzögern.
- Stellen Sie sicher, dass der Aufgussraum ordnungsgemäß belüftet wird.

### DER AUFGUSSRAUM WIRD SCHNELL AUFGEHEIZT, ABER DIE TEMPERATUR DER STEINE REICHT NICHT AUS. AUF DIE STEINE GEGOSSENES WASSER FLIESST NACH UNTEN.

- Stellen Sie sicher, dass die Leistung des Ofens nicht zu hoch ist. Sofern die Leistung des Ofens für den Aufgussraum geeignet ist, dauert es in einem ordnungsgemäß isolierten Aufgussraum 45 bis 90 Minuten, bis die gewünschte Temperatur erreicht ist.
- Stellen Sie sicher, dass der Aufgussraum ordnungsgemäß belüftet wird.
- Reduzieren Sie die Drehzahl des Klimagerät-Ventilators.

Sa

### DIE WANDVERTÄFELUNG ODER ANDERE MATERIALIEN IN DER NÄHE DES OFENS VERFÄRBen SICH SCHNELL DUNKEL.

- Halten Sie die vorgeschriebenen Sicherheitsabstände ein.
- Prüfen Sie die Steine. Steine, die zu eng nebeneinander gelegt wurden, heruntergefallen sind oder sich mit der Zeit absenken, oder die falsche Art von Steinen können den Luftstrom durch den Ofen behindern und damit das Aufheizen verzögern.
- Stellen Sie sicher, dass zwischen den Steinen keine Heizelemente sichtbar sind. Wenn die Heizelemente sichtbar sind, ordnen Sie die Steine so an, dass die Heizelemente vollständig verdeckt werden.

**Bitte beachten!** Zu spärlich verteilte Steine führen zu einer Überhitzung der Heizelemente und verschlechtern das Klima im Aufgussraum. Dies kann zu einem Brand führen!

### DIE HOLZBEREICHEN DES AUFGUSSRAUMS WERDEN MIT DER ZEIT DUNKEL.

Dieser Prozess kann durch folgende Faktoren beschleunigt werden:

- Sonnenlicht;
- Wärme vom Ofen;
- Wandschutzelemente (Schutzvorrichtungen haben eine geringe Wärmebeständigkeit);
- feine Partikel von den Steinen.

### DER OFEN GIBT GERUCH AB.

- Siehe Abschnitt AUFHEIZEN DES AUFGUSSRAUMS auf Seite 134.
- Ein heißer Ofen kann in der Luft vorhandene Gerüche verstärken. Diese werden jedoch nicht von der Sauna oder vom Ofen verursacht. Zu den Ursachen gehören Farbe, Klebstoff, Öl, Duftstoffe, usw.

### DAS SAUNAKLIMAGERÄT MACHT GERÄUSCHE.

- Der Ventilator erzeugt im Betrieb immer ein gewisses Geräusch. Ist dieses nicht gleichmäßig und/oder wird es von einem metallischen Geräusch begleitet, muss der Ventilator wahrscheinlich gewartet oder repariert werden. Stellen Sie sicher, dass sich keine Fremdkörper in den Austrittsöffnungen des Ventilators befinden.
- Probieren Sie, den Ventilator auf eine niedrigere Drehzahl zu stellen.
- Laute Geräusche werden höchstwahrscheinlich von Steinen hervorgerufen, die aufgrund von Wärmeausdehnung zerbrechen.
- Beim Aufwärmen der Ofens kann es auch aufgrund der Wärmeausdehnung von Ofenteilen zu Geräuschen kommen.

Sa

## AUFLEGEN DER STEINE

Die Art und Weise beim Auflegen der Steine hat erheblichen Einfluss auf den Betrieb des Ofens.

### Es ist wichtig, an Folgendes zu denken:

- Der Durchmesser der Steine muss 5 bis 10 cm betragen.
- Für den Ofen dürfen nur speziell für den Einsatz in Saunen angebotene Steine verwendet werden.
- Verwenden Sie keine leichten, porösen keramischen „Steine“ oder weiche Fliesen für den Ofen. Diese speichern nicht genug Hitze und können zur Beschädigung der Heizelemente führen.
- Befreien Sie die Steine vor dem Auflegen auf den Ofen von Staub.

**Bitte beachten!** Verwenden Sie in Verbindung mit Saunum-Geräten stets hochwertige, polierte Saunasteine. Bruchsteine mit scharfen Kanten können die Heizelemente beschädigen und deren Lebensdauer verkürzen.

Achten Sie beim Auflegen der Steine auf Folgendes:

- Lassen Sie die Steine nicht in den Ofen fallen.
- Drücken Sie die Steine nicht zwischen die Heizelemente.
- Lassen Sie die Steine nicht mit ihrem eigenen Gewicht auf den Heizelementen liegen, sondern legen Sie

die Steine so auf, dass sie einander stützen.

- Stapeln Sie die Steine nicht auf dem Ofen auf.
- Platzieren Sie keine Objekte in der Nähe des Steinkorbs oder vor dem Ventilator des Saunaklimageräts, die die Stärke oder Richtung der durch das Saunaklimagerät strömenden Luft beeinflussen können.

## WARTUNG DES SAUNAKLIMAGERÄTS

Aufgrund der hohen Temperaturschwankungen neigen die Steine zum Zerschlagen. Die Steine müssen mindestens einmal jährlich bzw. bei häufiger Nutzung der Sauna öfter umgeschichtet werden. Entfernen Sie beim Umschichten der Steine jegliche Bruchstücke vom Boden des Ofens, und ersetzen Sie die zerbrochenen Steine durch neue. Wird dies beachtet, bleibt die Heizleistung des Ofens optimal, und das Risiko einer Überhitzung wird vermieden.

Wenn Sie Himalaya-Salzkugeln im Saunaklimagerät verwenden, sollten Sie die Salzkugeln einmal jährlich überprüfen und bei Bedarf verschlissene und zerbrochene Salzkugeln durch neue ersetzen. Stellen Sie sicher, dass sich keine Fremdkörper in den Luftauslässen des Saunaklimageräts befinden.

**VORSICHT!** Trennen Sie vor einer Wartung und Reinigung des Saunaklimageräts das

Sa

Netzteil des Geräts vom Stromnetz und warten Sie, bis die beweglichen Teile des Geräts vollständig zum Stillstand gekommen sind.

Stellen Sie vor der Wartung und Reinigung des Saunaklimageräts Folgendes sicher:

- Das Saunaklimagerät ist vom Stromnetz getrennt (zusätzlich zum Netzschalter des Geräts, auch mithilfe von Überstromsicherungen).
- Der Ventilator ist vollständig zum Stillstand gekommen.
- Bei der Arbeit werden die erforderliche Ausrüstung zum Arbeitsschutz und die vorgeschriebene persönliche Schutzausrüstung verwendet.
- Die Anschlusskabel sind unbeschädigt. Bei einer Beschädigung müssen die beschädigten Anschlusskabel von einem qualifizierten Elektriker gemäß den geltenden Standards und Anforderungen durch neue ersetzt werden, bevor die Wartung und Reinigung fortgesetzt wird.

Das Gerätegehäuse kann mit einem feuchten Tuch gereinigt werden. Verwenden Sie keine Hochdruckreiniger, fließendes Wasser, chemische Reinigungsmittel oder Lösungsmittel, um das Gehäuse zu reinigen!

Verwenden Sie 10-prozentige Zitronensäure, um Kalkablagerungen zu entfernen, und spülen Sie mit Wasser nach.

Übermäßiger Schmutz kann zu einer Unwucht des Ventilatorrotors führen und übermäßige Störgeräusche beim Betrieb

des Saunaklimageräts verursachen. Der Geräuschpegel kann auch aufgrund von beschädigten/verbogenen Rotorblättern ansteigen. Stellen Sie sicher, dass sich keine Fremdkörper oder Salzkugeln im Arbeitsbereich des Ventilatorrotors befinden.

Der Ventilator muss in der Regel nicht häufiger als einmal jährlich gereinigt werden. Der Ventilator darf nur durch eine von Saunum autorisierte Person gereinigt werden.

Der Einsatz von Druckluft zum Reinigen des Ventilators kann den Ventilatorrotor permanent beschädigen!

Die Ventilatorlager sind wartungsfrei und müssen im Fall eines Problems ersetzt werden.

Es wird empfohlen, alle elektrischen Verbindungen des Saunaklimageräts mindestens einmal jährlich zu prüfen. Dies darf nur von einer qualifizierten Person ausgeführt werden.

## AUGUSSRAUM

Die Voraussetzung für die Installation des Saunaklimageräts ist ein ordnungsgemäß vorbereiteter Aufgussraum. Wände und Decken müssen ausreichend wärmeisoliert sein, da ansonsten zu viel Zeit und Energie zum Aufheizen des Raums benötigt werden. Die Stromversorgungs-kabel für den Ofen und Ventilator müssen gemäß Tabelle 1 (siehe Seiten 132-133) auf der elektrischen Anschlussplatine gekennzeichnet werden.

Sa

## BELÜFTUNG DES AUFUSSRAUMS

Die Luft im Aufgussraum muss mindestens sechsmal pro Stunde ausgetauscht werden.

Bei Verwendung einer mechanischen Luftabsaugung muss sich die Luftzufuhr über dem Saunaklimagerät befinden. Bei Verwendung einer natürlichen Luftabführung muss sich die Luftzufuhr unter oder neben dem Saunaklimagerät befinden. Die Luftzufuhr-Rohrleitung muss einen Durchmesser von 80 bis 100 mm haben.

Montieren Sie den Luftaustritt in Bodennähe und so weit wie möglich vom Saunaklimagerät entfernt. Der Durchmesser der Luftaustritt-Rohrleitung muss doppelt so groß sein wie der Durchmesser der Luftzufuhr-Rohrleitung. Wenn sich der Luftaustritt im Waschraum befindet, muss ein Spalt von mindestens 100 mm unter der Tür des Aufgussraums vorhanden sein.

### Eine Entlüftung des Aufgussraums ist vorgeschrieben.

Die Abluftöffnung zur Trocknung (optional) muss in der Decke nahe der dem Saunaklimagerät gegenüberliegenden Wand angebracht werden (beim Aufheizen und Saunieren geschlossen). Die Sauna kann auch durch Offenlassen der Tür nach dem Saunieren getrocknet werden.

Das Belüftungssystem der Sauna muss möglichst so ausgelegt sein, dass die Abluft der Sauna nicht in andere Räume gelangt, insbesondere bei Verwendung des Saunaklimageräts mit Salzkugeln.

## LEISTUNG DES OFENS

Sofern eine ausreichende Dämmung hinter der Wand- und Deckenverkleidung vorhanden ist, wird die Leistung des Ofens durch das Volumen des Aufgussraums bestimmt, d. h. 1 kW pro m<sup>3</sup>. Ungedämmte Wände (Ziegelsteine, Glasbausteine, Glas, Beton, Bodenfliesen usw.) erfordern einen leistungsfähigeren Ofen. Addieren Sie für jeden Quadratmeter ungedämmter Wand 1,2 m<sup>3</sup> zum Volumen des Aufgussraums.

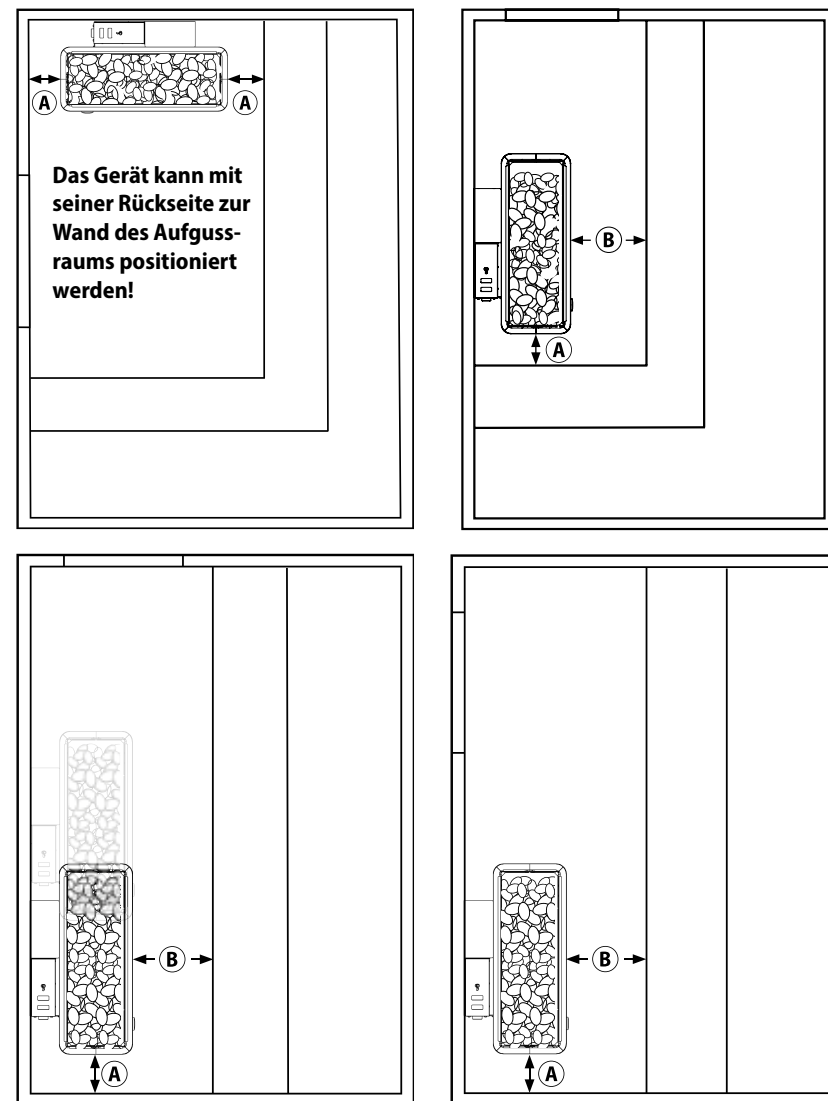
**Beispiel:** Ein 10 m<sup>3</sup> großer Aufgussraum mit einer Glastür entspricht der Leistungsanforderung eines 12 m<sup>3</sup> großen Aufgussraums. Wenn die Sauna Rundholzwände hat, multiplizieren Sie das Volumen mit 1,5. Die optimalen Raumgrößen für das Saunaklimagerät Saunum Premium sind in Tabelle 1 (siehe Seiten 132-133 aufgeführt). Die Höhe des Aufgussraums beträgt üblicherweise 2.100 mm bis 2.300 mm.

Die Mindesthöhe für die Installation des Saunaklimageräts Saunum Premium beträgt 2.000 mm.

### Sicherheitsabstände und empfohlene Lage des Saunum Premium-Geräts im Aufgussraum.

- Saunum Premium 6 kW – A > 50 mm und B > 75 mm
- Saunum Premium 9 kW – A > 50 mm und B > 100 mm

Sa





Sa

## VOR DER INSTALLATION

Die Installation des Saunaklimageräts muss von einem ausgebildeten Elektriker durchgeführt werden. Der Anschluss des Geräts muss an einem stabilen Ort mit einem Kabel erfolgen, das die Anforderungen an die Temperaturbedingungen erfüllt. Die Schutzerdung (PE) muss mit der Anschlussklemme des Geräts verbunden werden, wobei die Querschnittsfläche des Kabels mindestens 2,5 mm<sup>2</sup> betragen muss. Das Gerät muss über den Versorgungskreis des Steuergeräts versorgt werden, das mit Überstromsicherungen abgesichert ist. Die erforderlichen Größen der Überstromsicherungen und die Anschlusskabelgrößen sind in Tabelle 1 (siehe Seite 132–133) aufgeführt.

Alle zertifizierten Saunasteuergeräte mit einer der Leistung des verwendeten Saunum-Premium-Modells entsprechenden Betriebsleistung nach Tabelle 1 (siehe Seite 132–133) können zur Steuerung des Saunaklimageräts verwendet werden.

**Lesen Sie vor Beginn der Installationsarbeiten die Installationsanweisungen durch und beachten Sie Folgendes:**

- Leistung und Typ des Ofens sind für den vorhandenen Aufgussraum geeignet. Das empfohlene Volumen des Aufgussraums ist in Tabelle 1

(siehe Seite 132–133) angegeben.

- Die Versorgungsspannung ist für das Saunaklimagerät geeignet.
- Am Installationsort des Saunaklimageräts werden die in Tabelle 1 (siehe Seite 132–133) angegebenen minimalen Sicherheitsabstände, vom Ofengehäuse gemessen, eingehalten.
- Die Abmessungen des Modells (Wandhalterung und mit Standfuß) sind auf Seite 146 (ABMESSUNGEN) festgelegt.
- Außerdem muss sichergestellt werden, dass die Oberkante des Ventilatoraustritts unterhalb der Unterkante der Bank liegt.
- Vor dem Luftaustritt des Geräts dürfen sich keine Hindernisse befinden und die Auslassluft muss frei durch den Aufgussraum strömen können.
- Das Gerät funktioniert am effizientesten, wenn die Abzugsabdeckung an der Decke des Aufgussraums montiert ist und die Auslassluft unter die Bank geleitet wird.

Allerdings darf das Gerät nicht so positioniert werden, dass die Oberkante des Ofens höher als 80 cm über dem Boden liegt. Das Gerät ist für eine Wandhalterung mit 6-mm-

Sa

(Unterteil) bzw. 5-mm-Schrauben (Abzugsabdeckung) konzipiert. **Die Wand am Aufstellort des Saunaklimageräts muss ein Gewicht von mindestens 130 kg tragen können.** Die Art der Verankerungen muss je nach den Eigenschaften der tragenden Struktur gewählt werden. Das Montageverfahren muss sicherstellen, dass das Gerät fest an der Wand bleibt!

**Die Sicherheitsabstände müssen bedingungslos eingehalten werden, da andernfalls Brandgefahr besteht. Pro Aufgussraum darf nur ein Saunaklimagerät installiert werden.**

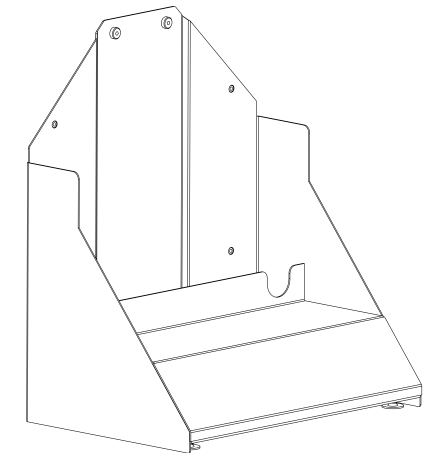
Weise eingesetzt werden. Der Standfuß muss so auf ebenem Untergrund positioniert werden, dass dessen Rückseite zur Wand zeigt und fest in der Wand verankert werden kann. Die Füße müssen so ausgerichtet werden, dass das Gerät waagrecht steht.

Es wird empfohlen, das Saunaklimagerät mit einem Sicherheitsgeländer abzugrenzen, um Verbrennungen durch versehentlichen Kontakt mit dem Ofen zu vermeiden. Wenn der Standfuß nicht mit Schrauben an der Wand verankert werden kann (beispielsweise weil es sich um eine Glaswand handelt), sind Geländer zwingend erforderlich.

## STANDFUSS DES OFENS

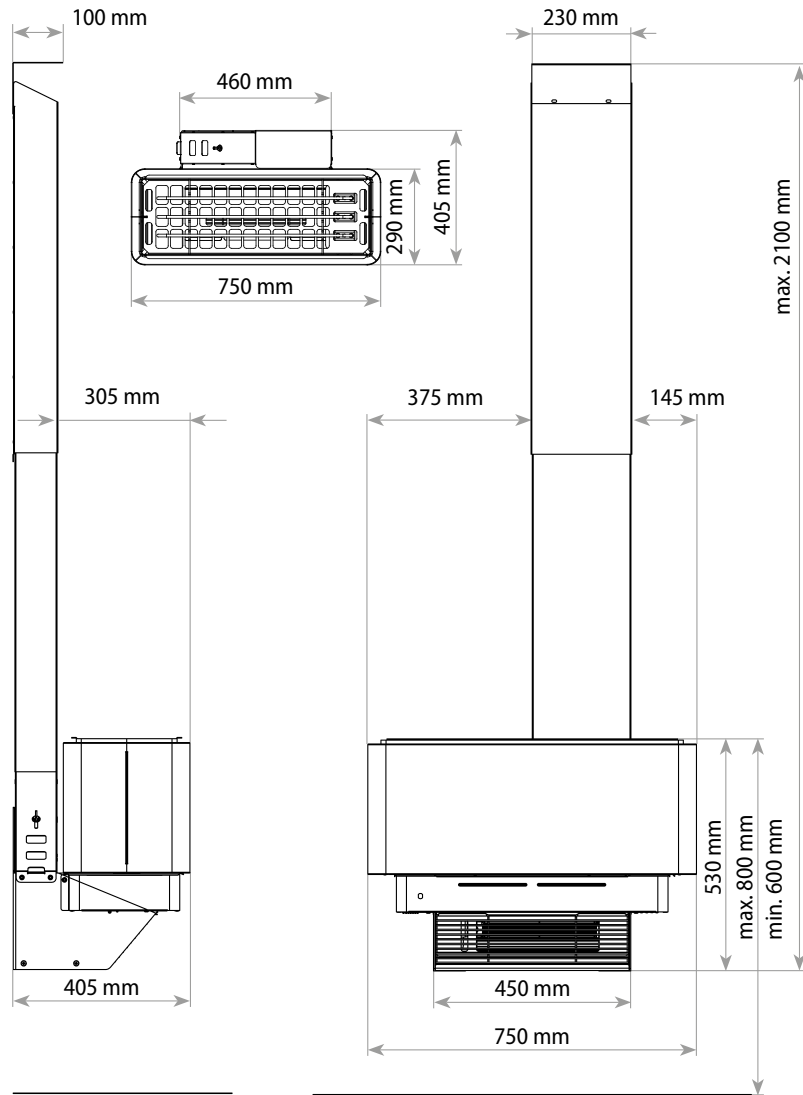
Wenn die Montage von Saunum Premium an der Wand nicht möglich ist (beispielsweise kann die Wand dem Gewicht des Ofens mitsamt Steinen nicht standhalten oder das Gerät müsste an einer Glaswand montiert werden), kann ein spezieller Standfuß am Ofen montiert werden (siehe INSTALLATIONSANWEISUNGEN, Seite 152). Der Standfuß ist serienmäßig nicht enthalten und muss gesondert beim Händler bestellt werden.

Das Gerät mit Standfuß ist nicht zur freistehenden Anwendung in der Mitte des Raums konzipiert und darf nicht auf diese Art und



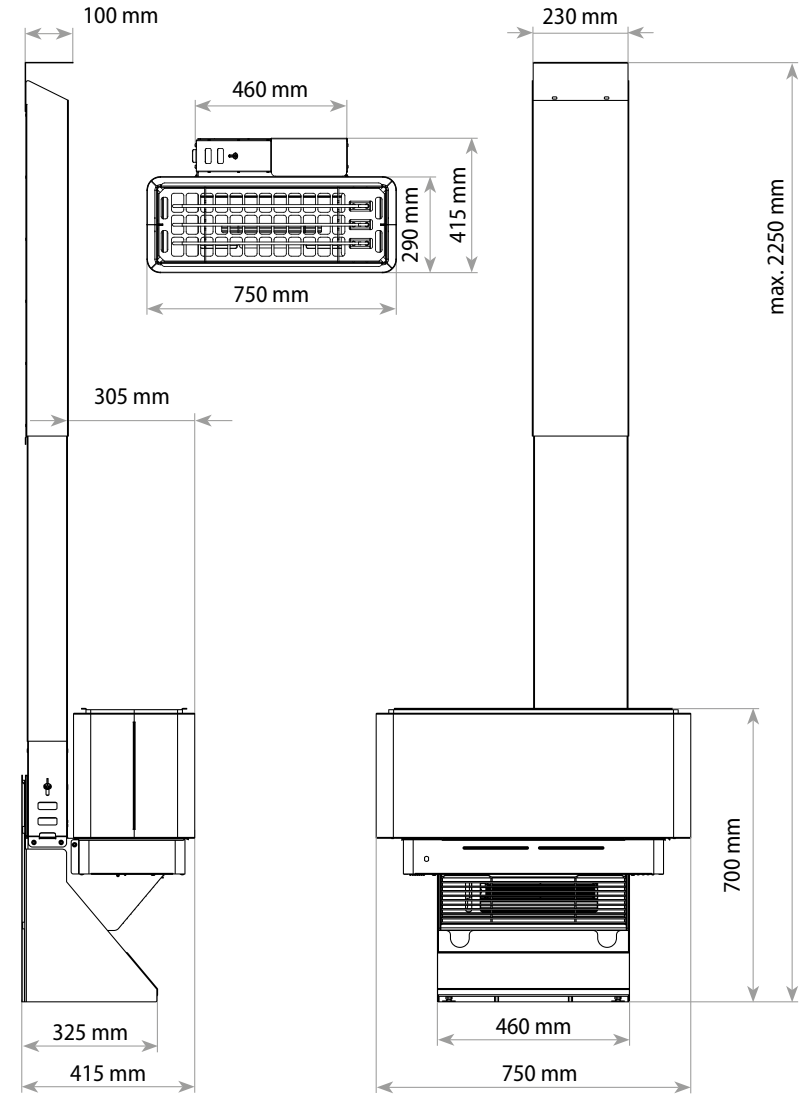
Sa

## Saunum Premium



Sa

## Saunum Premium mit Standfuß (optional)

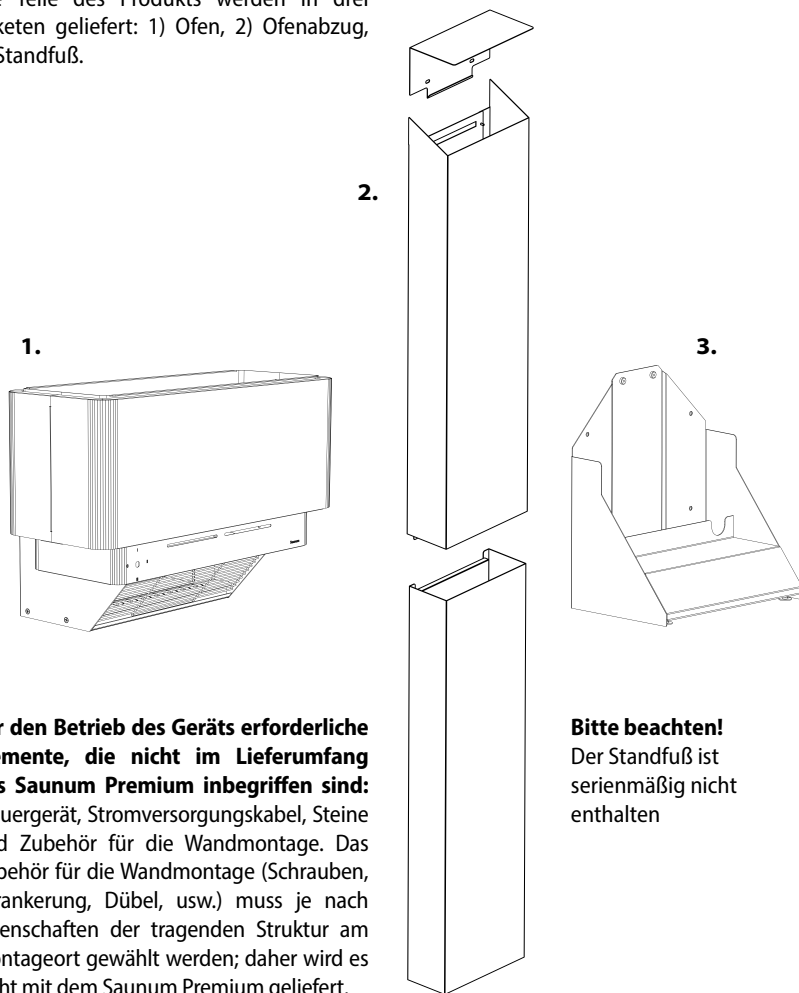


Sa

Sa

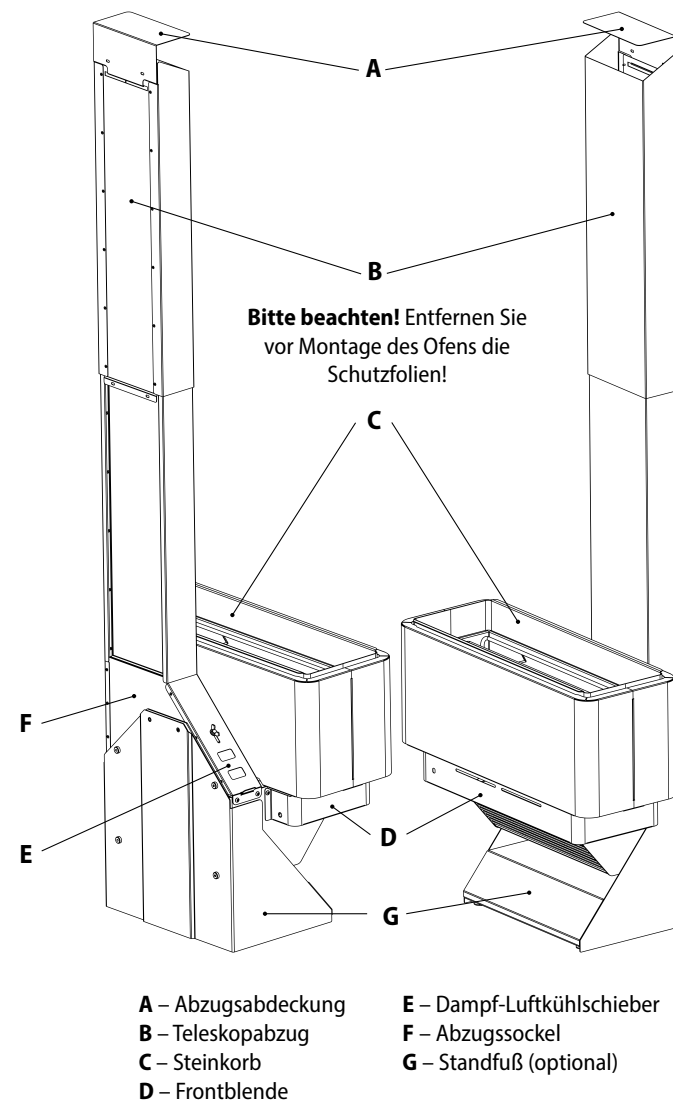
## VOLLSTÄNDIGKEIT DES PRODUKTS

Die Teile des Produkts werden in drei Paketen geliefert: 1) Ofen, 2) Ofenabzug, 3) Standfuß.



**Für den Betrieb des Geräts erforderliche Elemente, die nicht im Lieferumfang des Saunum Premium inbegriffen sind:** Steuergerät, Stromversorgungskabel, Steine und Zubehör für die Wandmontage. Das Zubehör für die Wandmontage (Schrauben, Verankerung, Dübel, usw.) muss je nach Eigenschaften der tragenden Struktur am Montageort gewählt werden; daher wird es nicht mit dem Saunum Premium geliefert.

**Bitte beachten!** Der Standfuß ist serienmäßig nicht enthalten

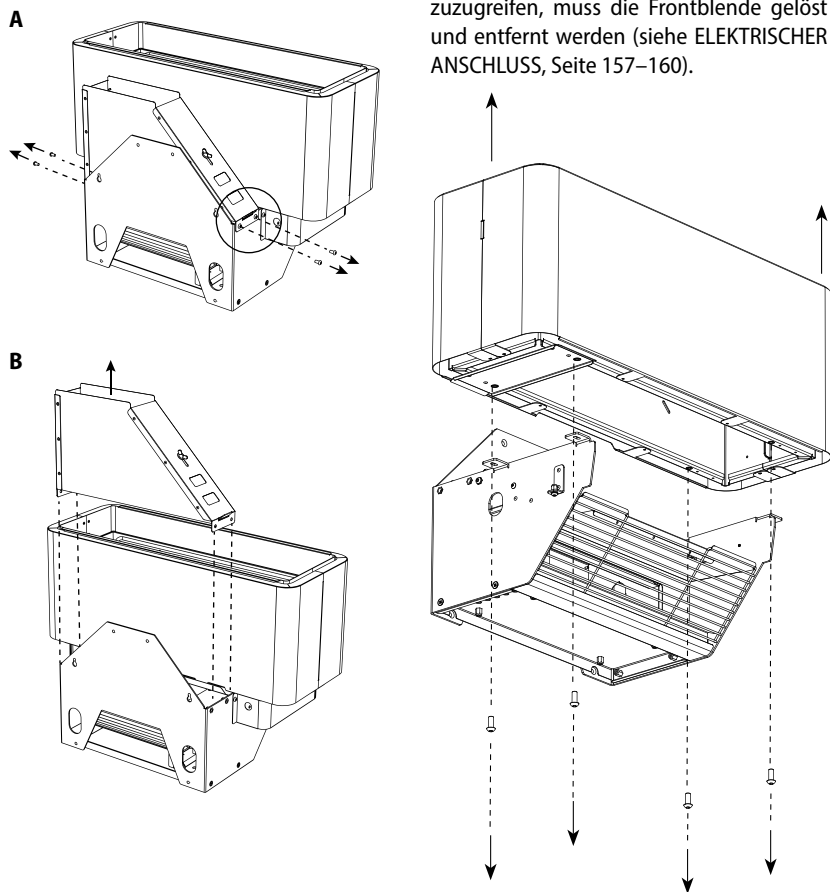


- |                     |                            |
|---------------------|----------------------------|
| A – Abzugsabdeckung | E – Dampf-Luftkühlschieber |
| B – Teleskopabzug   | F – Abzugssockel           |
| C – Steinkorb       | G – Standfuß (optional)    |
| D – Frontblende     |                            |

Sa

**WANDHALTERUNG**

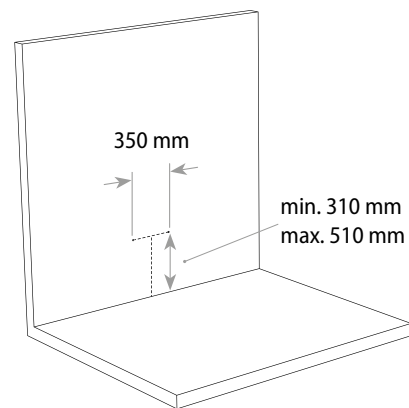
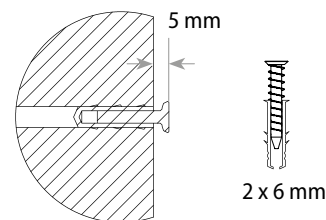
1. Lösen Sie die vier Befestigungsschrauben (A), die den Abzugssockel fixieren, und heben Sie den Abzugssockel (B) ab.



2. Trennen Sie den Steinkorb vom Hauptmodul. Wenn der Steinkorb bereits mit dem Hauptmodul verschraubt ist, lösen Sie die Schrauben (4 Stk.) auf der Unterseite des Steinkorbs, und heben Sie anschließend die Steinbox ab. Um auf die hinteren Schrauben zuzugreifen, muss die Frontblende gelöst und entfernt werden (siehe ELEKTRISCHER ANSCHLUSS, Seite 157–160).

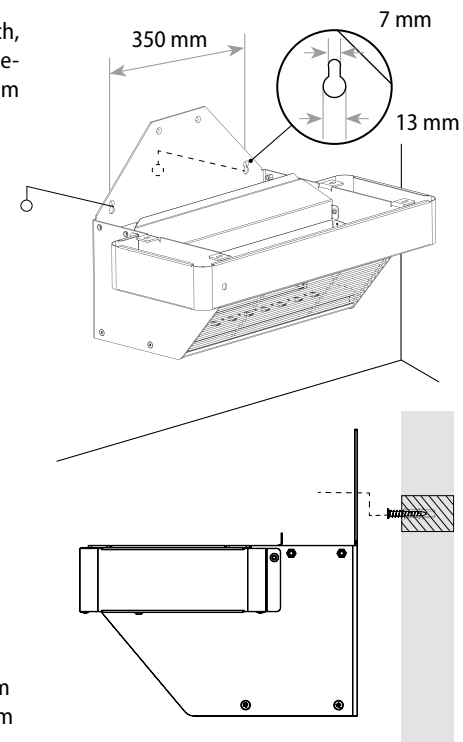
3. Schrauben Sie die Schrauben für die mittleren Bohrungen der Wandhalterung in die Wand, und lassen Sie diese um 5 mm hervorstehen.

**Bitte beachten!** Vergewissern Sie sich, dass die Höhe vom Boden der Montagebohrungen zwischen 310 mm und 510 mm beträgt.



Sa

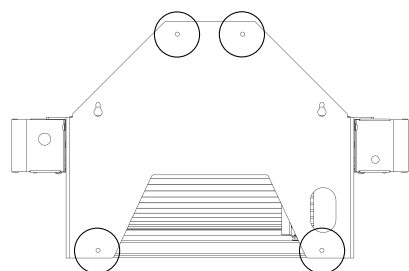
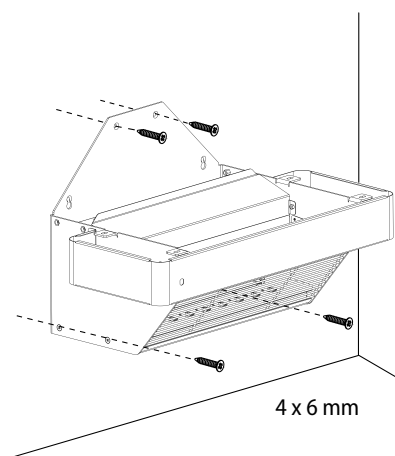
4. Heben Sie das Gerät so an die Wand, dass die Schrauben in der Wand in die Bohrungen auf der Geräterückseite eingeführt werden.



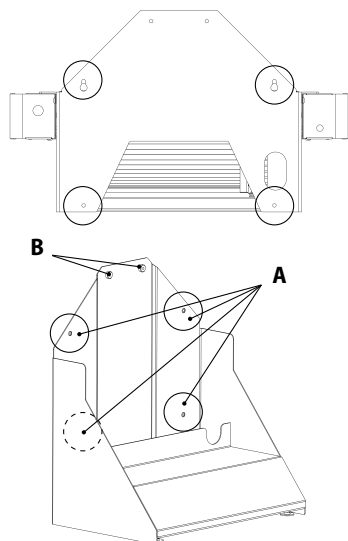
**Bitte beachten!** Vergewissern Sie sich beim Anheben des Hauptmoduls, dass die Frontblende nicht am Stromversorgungskabel hängt! Fixieren Sie die Frontblende mit mindestens zwei Schrauben am Hauptmodul.

Sa

5. Schrauben Sie die vier Befestigungsschrauben in die oberen und unteren Montagebohrungen und fixieren Sie das Gerät damit an der Wand. Das Gerät ist jetzt an sechs Stellen an der Wand befestigt.



5.1. Version mit Standfuß (siehe STANDFUSS DES OFENS, Seite 145). Fixieren Sie das Gerät mit vier Schrauben (A) am Standfuß).

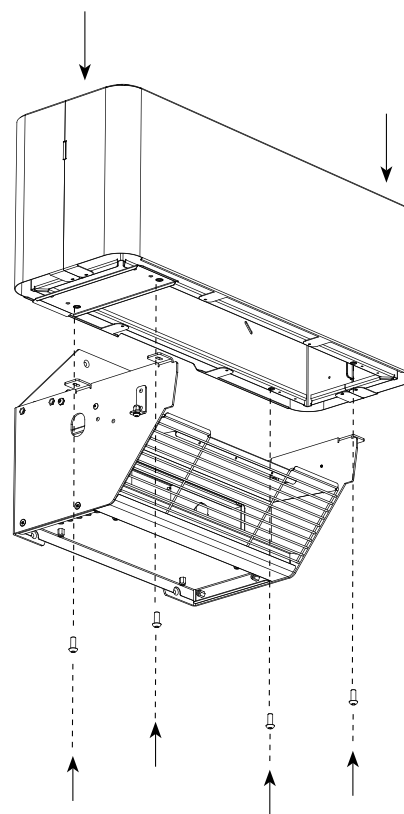


Bringen Sie das Gerät anschließend in Position. Der Standfuß muss so auf ebenem Untergrund positioniert werden, dass dessen Rückseite zur Wand zeigt. Stellen Sie die FüÙe so ein, dass das Gerät waagrecht steht.

**Bitte beachten!** Das Gerät muss mit den beiden oberen Montagebohrungen (B) in der Wand verankert werden, damit es nicht umkippen kann! Wenn das Saunaklimagerät nicht in der Wand verankert werden kann, ist es zwingend erforderlich, ein Sicherheitsgeländer um den Ofen zu verwenden!

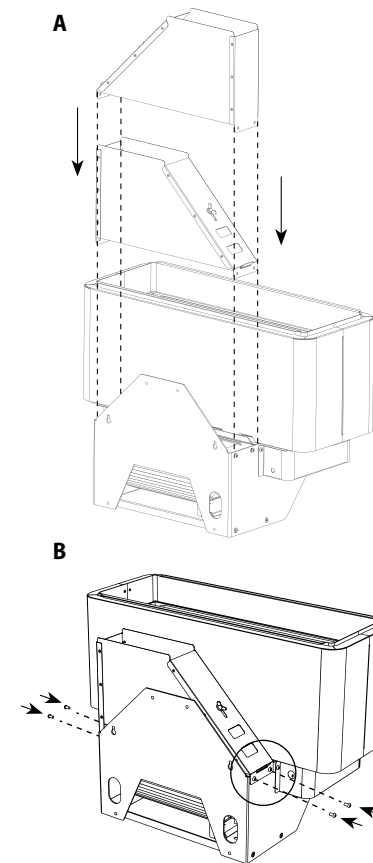
Sa

6. Bringen Sie den Steinkorb zurück in seine Position, und befestigen Sie ihn mit vier Schrauben.



7. Bringen Sie den Abzugssockel wieder in Position (A).

**Bitte beachten!** Der Abzugssockel kann in zwei Stellungen installiert werden, sodass sich der Abzug auf der linken oder rechten Seite des Ofens befindet; dies kann vom Monteur ausgewählt werden. Befestigen Sie ihn mit vier Schrauben (B).



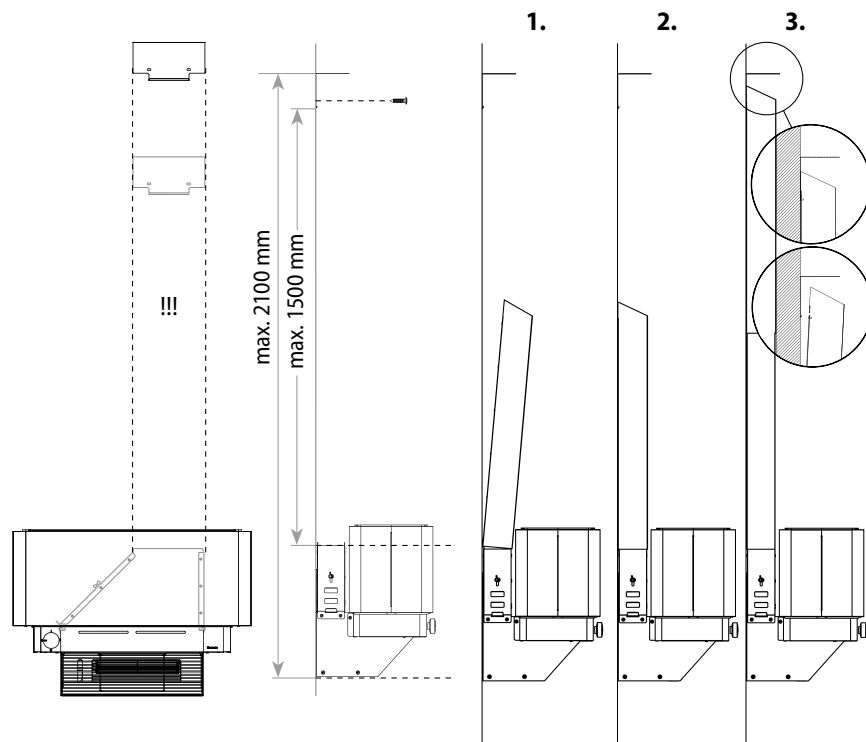
Sa

**8.** Befestigen Sie die Abzugsabdeckung mit 5-mm-Schrauben an der Decke des Aufgussraums.

**Bitte beachten!** Jergewissern Sie sich, dass die Abzugsabdeckung auf die Öffnung im Abzugssockel ausgerichtet ist!

**9.** Positionieren Sie das untere Ende des Abzugs auf dem Sockel.

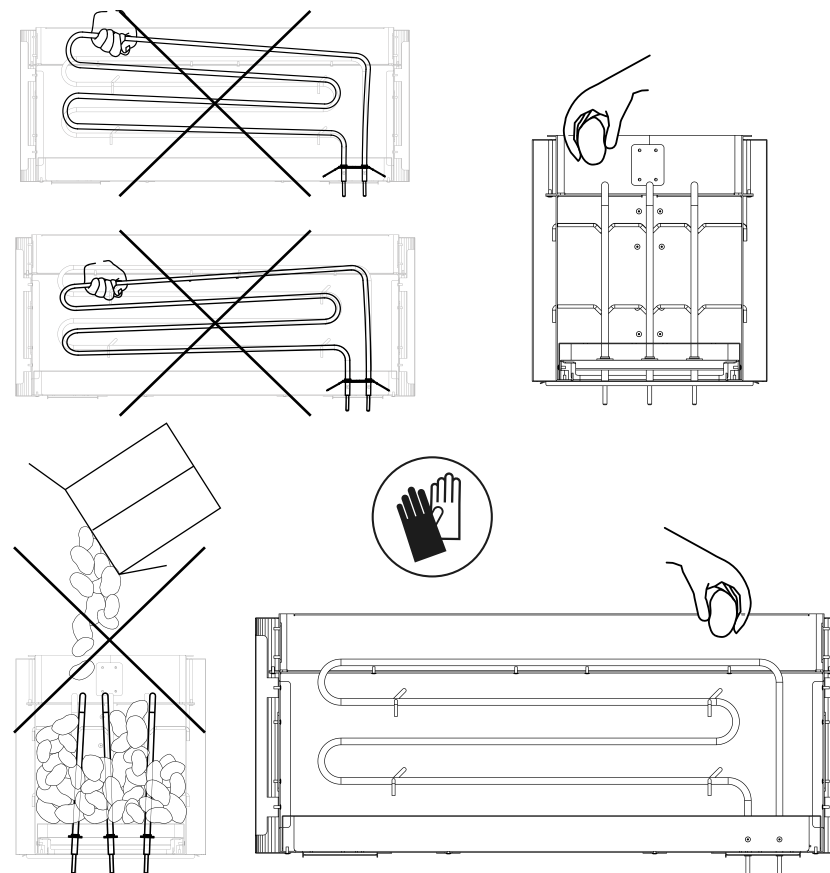
**10.** Verbinden Sie die oberen und unteren Teile des Abzugs und hängen Sie das obere Teil an die Abzugsabdeckung.



Sa

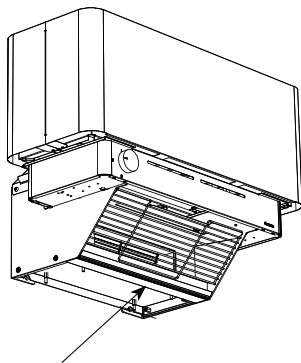
**11.** Installieren Sie die Stützstreben der Heizelemente (siehe INSTALLATION UND AUSTAUSCH DER HEIZELEMENTE, Seite 161).

**12.** Füllen Sie den Steinkorb mit Steinen (siehe AUFLEGEN DER STEINE, Seite 140).



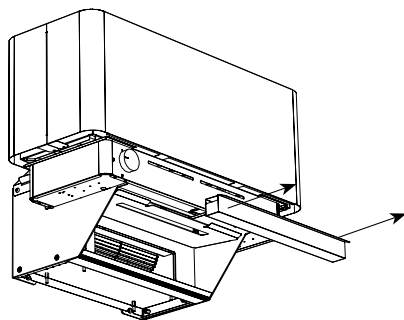
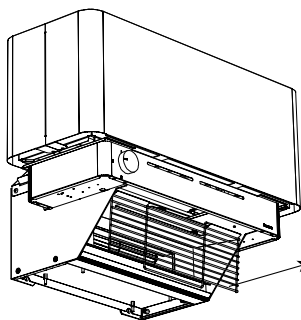
Sa

13. Installieren Sie die Salzkugeln (siehe VERWENDUNG VON HIMALAYA-SALZKUGELN, Seite 136).



Entfernen Sie das Luftaustrittsgitter, heben Sie es ab (siehe Richtung im Schaubild) und legen Sie Salzkugeln in die Ablagen. Nachdem Sie die Salzkugeln eingelegt oder entfernt haben, positionieren Sie das Gitter neu.

**Das Saunaklimagerät kann nur verwendet werden, wenn das Luftaustrittsgitter montiert ist!**



Sa

## ELEKTRISCHER ANSCHLUSS

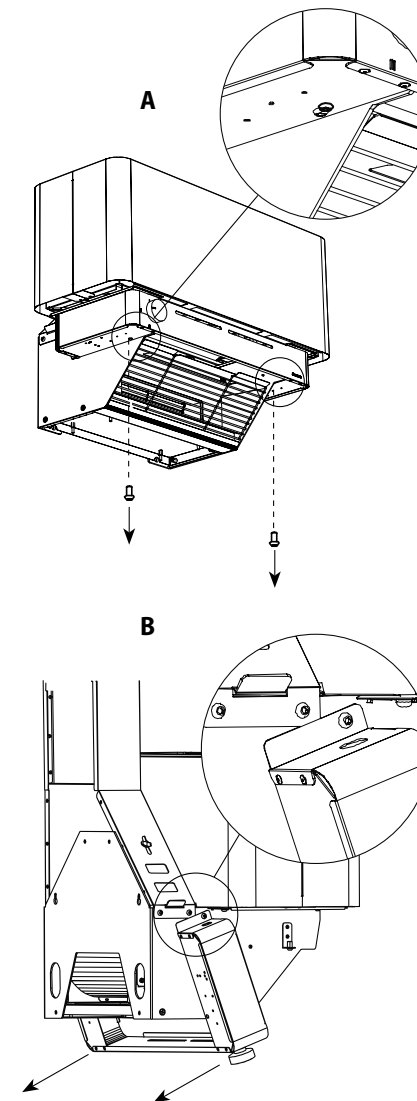
Schließen Sie die Heizelemente gemäß **Schaltplan** auf Seite 158 an.

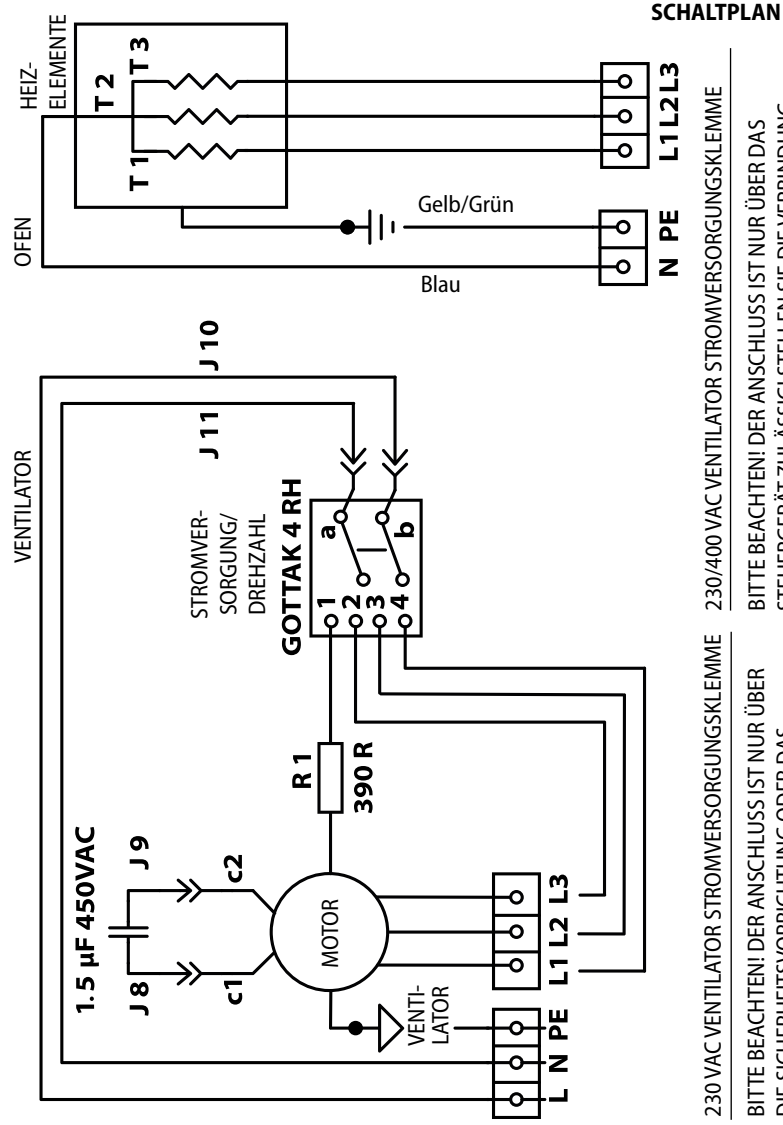
Verbinden Sie das Saunaklimagerät mit dem Steuergerät.

**Der elektrische Anschluss des Geräts muss von einem qualifizierten Elektriker gemäß den geltenden Standards und Anforderungen vorgenommen werden. Bevor Sie die elektrischen Anschlüsse herstellen, vergewissern Sie sich, dass der Sicherungsautomat des Geräts auf der elektrischen Schalttafel ausgeschaltet wurde!**

Das Saunaklimagerät muss in halbstationärer Position mit dem Anschlusskasten an der Wand des Aufgussraums verbunden werden. Der Anschlusskasten muss spritzwassergeschützt sein und darf sich maximal 500 mm über dem Boden befinden.

Das Anschlusskabel muss ein gummiisoliertes Kabel vom Typ H07RN-F oder gleichwertig sein. Um auf die elektrischen Anschlüsse des Geräts zuzugreifen, muss die Frontblende unter dem Steinkorb geöffnet werden. Um die Blende zu entfernen, lösen Sie die beiden Schrauben unter dem Gerät vollständig (siehe nachfolgende Abbildung A). Um den Zugriff komfortabler zu gestalten, lösen Sie auch die seitlichen Schrauben (B).





Sa

Sa

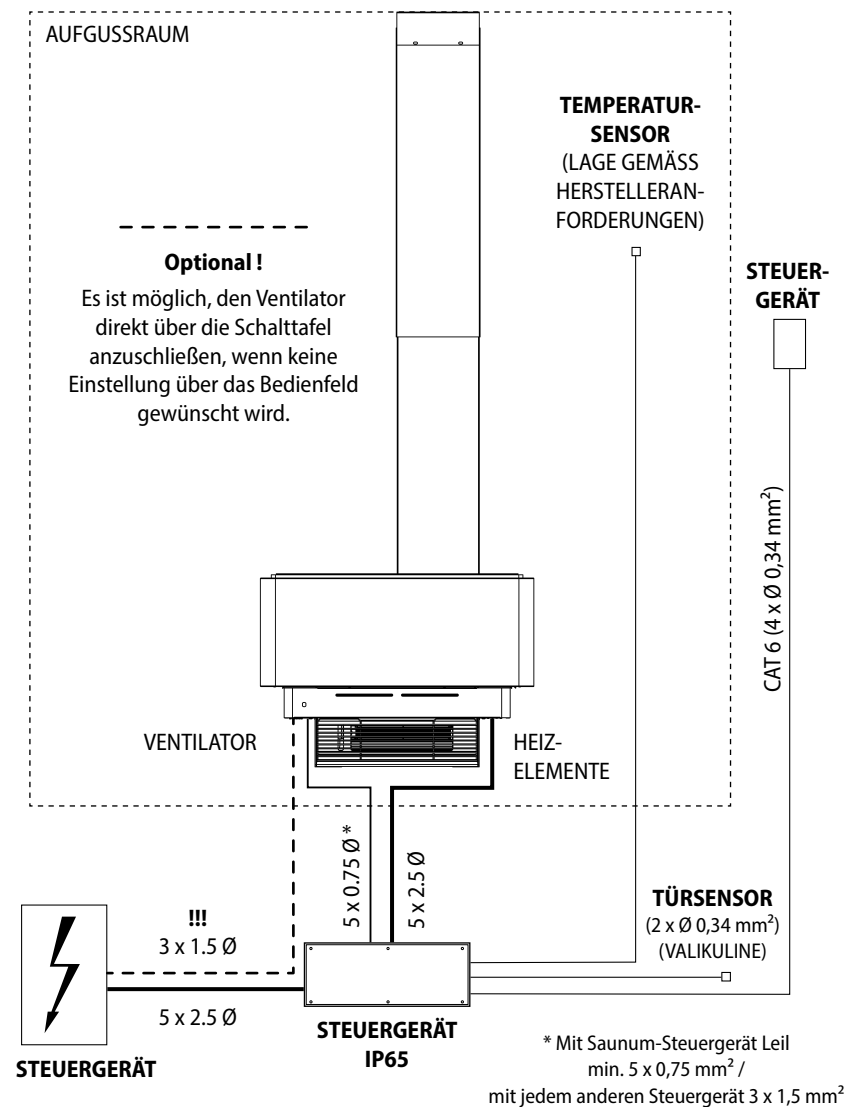
**Bitte beachten! Aufgrund möglicher Gefahren durch thermische Versprödung ist es verboten, ein mit PVC isoliertes Kabel als Verbindungskabel für das Saunaklimagerät zu verwenden.**

- Die internen Anschlüsse des Geräts können durch Schraubklemmen gemäß Schaltplan (Seite 158) und Tabelle 1 (Seite 132–133) in diesem Handbuch erfolgen.
  - Die Schutzerdung (PE) muss mit der Anschlussklemme des Geräts verbunden werden, wobei die Querschnittsfläche des Kabels mindestens 2,5 mm<sup>2</sup> betragen muss.
  - Der Ofen muss von einem Versorgungskreis mit 380 VAC (3-phasig) oder 230 VAC (1-phasig) 50/60 Hz mit Strom versorgt und durch ein Steuergerät mit Überstromsicherung der in der Tabelle 1 aufgeführten Größe geschützt werden (Seite 132–133).
  - Wenn Sie den Umwälzventilator des Geräts gesondert vom Steuergerät des Ofens anschließen möchten, muss der Ventilator über einen Fehlerstromschutzschalter angeschlossen werden. In diesem Fall darf die Schutzerdung (PE) der Eingangsklemme für die Ventilatorversorgung des Saunaklimageräts keinen Kontakt zur Schutzerdung der Eingangsklemme für die Ofenversorgung haben. Verwenden Sie in diesem Fall für die Stromversorgung des Ventilators geerdete Kabel mit einem Querschnitt von min. 1,5 mm<sup>2</sup>.
  - Das Netzkabel muss so in das Gehäuse des Saunaklimageräts geführt werden, dass das Wasser nicht am Kabel entlang in den elektrischen Anschlusskasten am Gehäuse des Saunaklimageräts fließen kann. Die äußere Isolierung des Kabels darf nur an dem Teil entfernt werden, der sich im Inneren des Gerätegehäuses befindet.
  - Wenn die Verbindungs- und Installationskabel höher als 1.000 mm über dem Boden des Saunaraums oder in den Wänden des Saunaraums verlegt werden, müssen diese einer Temperatur von mindestens 170 °C standhalten können (z. B. SSJ). Elektrische Betriebsmittel, die in der Dampfkammer niedriger als 1.000 mm installiert werden, müssen einer Temperatur von mindestens 125 °C standhalten können (z. B. T125).
  - Der empfohlene Querschnitt der Anschlusskabelnuten ist in Tabelle 1 (Seite 132–133) angegeben.
- Bitte beachten! Das Gerät darf nur von einem qualifizierten Elektriker gemäß den geltenden Vorschriften an das Stromnetz angeschlossen werden!**



Sa

## Netz Kabel für Saunum Premium



Sa

ISOLATIONSWIDERSTAND  
DES ELEKTRISCHEN  
OFENS

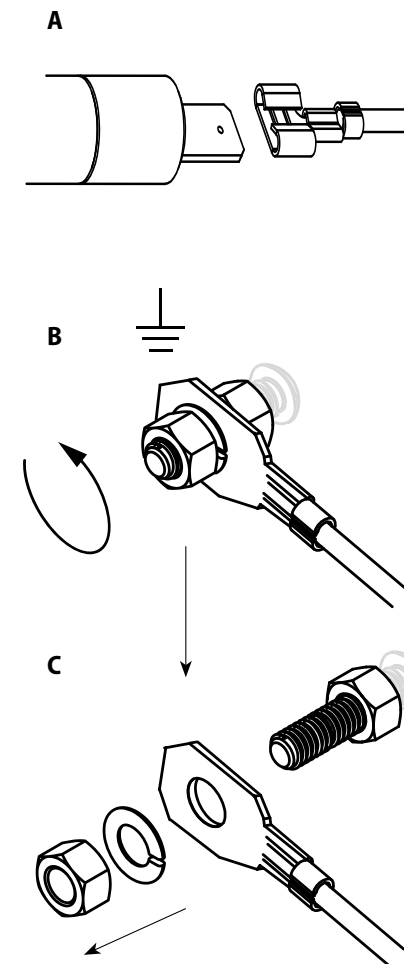
Bei der Endabnahme der Elektroinstallation kann bei der Messung des Isolationswiderstands des Saunaklimageräts ein Leckstrom ermittelt werden, der auftritt, weil das Isolationsmaterial der Heizelemente Feuchtigkeit aus der Luft (bei Lagerung oder Transport) absorbiert hat. Diese Feuchtigkeit verschwindet nach mehrmaligem Betrieb des Saunaklimageräts.

**Bitte beachten! Verbinden Sie den Ofen nicht über einen Fehlerstrom-Schutzschalter mit dem Stromnetz!**

INSTALLATION UND  
AUSTAUSCH  
DER HEIZELEMENTE

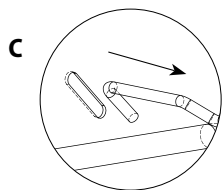
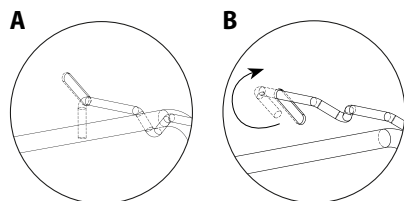
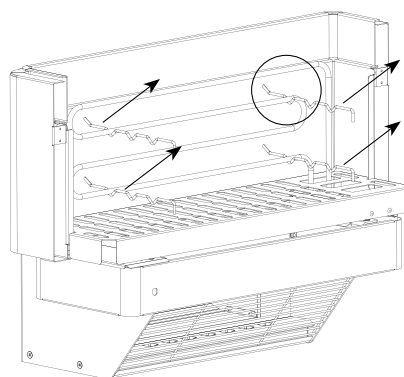
**Bitte beachten! Bevor Sie die Heizelemente austauschen, vergewissern Sie sich, dass der automatische Trennschalter des Geräts über die elektrische Schalttafel ausgeschaltet wurde!**

Die Heizelemente sind über Kabelklemmen (A) an das Gerät angeschlossen. Vor dem Entfernen der Heizelemente müssen die Kabelklemmen (6) getrennt werden. Trennen Sie die Schutzerdung von der Schraube des Ofens (B, C).

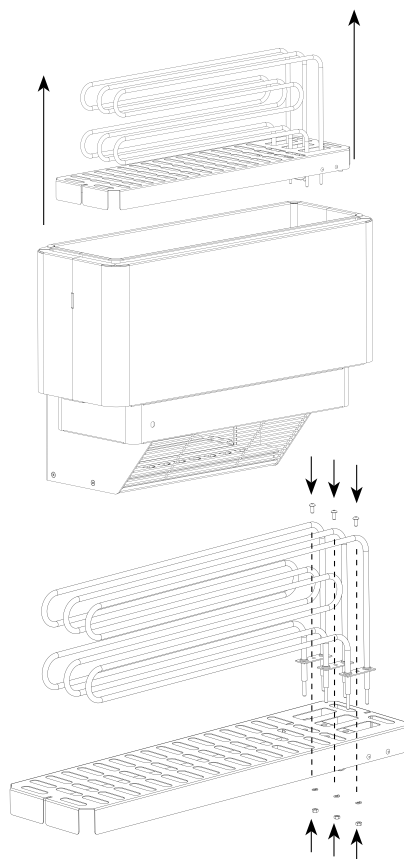


Sa

Entfernen Sie anschließend die vier Stützstreben der Heizelemente (A). Dafür muss die Strebe so gebogen werden, dass sich das gebogene Ende der Strebe parallel zur Gehäusebohrung (B) befindet. Ziehen Sie diese dann leicht abgewinkelt durch die Bohrung, zuerst auf einer Seite (C), dann auf der anderen.



Jetzt ist es möglich, die Heizelemente zusammen mit der Sockelplatte aus dem Steinkorb herauszuheben. Die Heizelemente sind mit der Sockelplatte verschraubt.



Wenn die Heizelemente ersetzt werden, befestigen Sie alles in umgekehrter Reihenfolge.

Sa

## ALLGEMEINE GARANTIEBEDINGUNGEN FÜR SAUNUM-PRODUKTE:

Mit der Saunum-Gerätegarantie (die mit dem Kaufdatum beginnt) gewährleistet Saunum, dass das Produkt für einen bestimmten Zeitraum frei von Material- und Montagefehlern sein wird. Falls während des Garantiezeitraums das Gerät einen Defekt aufweist, der auf die Verwendung minderwertiger Materialien oder Verarbeitungsfehler zurückzuführen ist, werden die von Saunum empfohlenen Reparaturpartner das Gerät bzw. dessen defektes Teil unter den unten aufgeführten Bedingungen frei von Arbeits- und Materialkosten reparieren oder ersetzen. Saunum behält sich das Recht vor zu entscheiden, ob die defekte Produktkomponente ersetzt oder das Gerät durch ein neues ersetzt wird. Die ersetzten defekten Produktkomponenten gehen in den Besitz von Saunum über.

### Garantiebedingungen:

1. Die Garantie gilt nur, wenn ein ausgefüllter Installationsbericht zusammen mit dem Garantierantrag eingereicht wird.
2. Das Gerät wurde von einem ausgebildeten Elektriker gemäß den

geltenden Vorschriften an das Stromnetz angeschlossen.

3. Der Garantiezeitraum des Saunaklimageräts beträgt bei Verwendung in einer privaten Sauna zwei (2) Jahre.
4. Der Garantiezeitraum des Saunaklimageräts beträgt bei Verwendung in einer öffentlichen Sauna ein (1) Jahr.

### Nicht von der Garantie abgedeckt:

1. Routinewartung und Reinigung des Geräts und Austausch der Komponenten aufgrund von normalem Verschleiß.
2. Anpassung oder Abänderung des Geräts zu jeglichem Zweck, der von den Bedienungsanweisungen abweicht.
3. Transportrisiken.
4. Beschädigung aufgrund missbräuchlicher Verwendung des Geräts.
5. Beschädigung aufgrund unsachgemäßer Installation des Geräts.
6. Reparaturen am Gerät, die nicht durch einen von Saunum empfohlenen Reparaturpartner (Wartungspartner) durchgeführt wurden.

Sa

7. Unfälle, Blitzschlag, Wassereintritt, Feuer, unsachgemäße Belüftung oder jeder andere Faktor, der außerhalb der Kontrolle von Saunum liegt.
8. Störungen aufgrund der Verwendung von Steinen und Salzkugeln, die nicht von Saunum empfohlen werden.
9. Heizelemente und Salzkugeln.

Sie finden eine Liste der von Saunum für die Montage und Wartung empfohlenen Dienstleister auf der Website von Saunum Saunas OÜ unter [www.saunum.com](http://www.saunum.com). Oder kontaktieren Sie uns unter [info@saunum.com](mailto:info@saunum.com).

Anweisungen von Saunum für die Geräte- wartung finden Sie in der Bedienungsanleitung.

**Bitte beachten!** Das Saunaklimagerät darf nur von einem qualifizierten Elektriker gemäß den geltenden Vorschriften an das Stromnetz angeschlossen werden!

Bitte lesen Sie alle Bedienungsanweisungen **vor Nutzung des Geräts** sorgfältig durch und bewahren Sie diese an einem sicheren und leicht zugänglichen Ort auf, um später darin nachschlagen zu können.

Sa

## INSTALLATIONSBERICHT

Kaufdatum: \_\_\_\_\_

Ofentyp: \_\_\_\_\_

Aufkleber/Seriennummer:  Installationsdatum: \_\_\_\_\_

Installationsort: \_\_\_\_\_

Installiert von: \_\_\_\_\_

Geprüft von: \_\_\_\_\_

Datum, Unterschrift: \_\_\_\_\_

Beschreibung der durchgeführten Arbeiten: \_\_\_\_\_

Alle für die Installation erforderlichen Komponenten sind verfügbar \_\_\_\_\_

Es liegen keine Farbängel oder Dellen vor \_\_\_\_\_

Nach den Anweisungen an der Wand oder auf dem Boden installiert \_\_\_\_\_

Die elektrischen Anschlüsse wurden anhand der Installationsanweisungen durchgeführt \_\_\_\_\_

Alle Heizelemente heizen sich auf \_\_\_\_\_

Die drei Ventilatorstufen funktionieren/starten in der korrekten Reihenfolge \_\_\_\_\_

Hinweise: \_\_\_\_\_

Kundenkontakte (Name, E-Mail-Adresse): \_\_\_\_\_

Arbeit abgenommen: \_\_\_\_\_



EG-Konformitätserklärung

Hersteller: Saunum Saunas OÜ  
Anschrift: Suur-Paala 19  
11415 Tallinn, Estland

zertifiziert, dass das Produkt:

## Saunaofen mit Klimagerät Saunum Premium

den Anforderungen der folgenden Richtlinien des Europäischen Rates entspricht;  
vorausgesetzt, die Installation erfolgt konform mit der vom Gerätehersteller  
vorgeschriebenen Montageanleitung und in Übereinstimmung mit der Norm  
EN 60 204-1 „Sicherheit von Maschinen. Elektrische Ausrüstung von  
Maschinen – Teil 1: Allgemeine Anforderungen.“  
Maschinenrichtlinie 2006/42/EG  
Niederspannungsrichtlinie 2014/35/EU  
Richtlinie über elektromagnetische Verträglichkeit 2014/30/EU



# Saunum

Poêle de sauna avec pilote hygrothermique  
**Saunum Premium**

Sa

## LA MEILLEURE EXPÉRIENCE DE SAUNA POSSIBLE

*J*e suis très heureux que vous ayez investi dans l'achat d'un pilote Saunum, et je suis certain que notre technologie innovante vous apportera une expérience de sauna unique et inoubliable.

Je suis un ingénieur thermicien diplômé originaire d'Estonie du Sud : c'est là qu'est né mon amour du sauna. Ce qui rend uniques les traditionnels saunas à fumée de cette région, c'est leur température plus basse et leur humidité plus grande que, par exemple, dans un sauna finlandais classique. Dans un sauna ordinaire, le volume de pierres dans le poêle est généralement assez réduit. Cela peut causer des dégagements brutaux de vapeur brûlante et une température inégale, très élevée au niveau de la tête et des épaules, tandis que les pieds ont froid. Ce type d'expérience peut être désagréable, causer des migraines et provoquer un stress. En revanche, dans les anciens saunas à fumée, comme dans ceux des Indiens d'Amérique, les pierres étaient tout d'abord chauffées pendant la journée. Ensuite, la chaleur emmagasinée dans les pierres était utilisée pour nettoyer le corps et procurer une expérience agréable.

Inspiré par l'expérience du sauna à fumée, j'ai voulu créer une solution innovante mêlant les meilleurs côtés du sauna traditionnel et la technologie moderne, pour offrir un sauna doux et relaxant, sans le stress d'une vapeur brûlante. Pour cela, il m'a tout d'abord fallu parvenir à égaliser la température aux niveaux de la tête et des pieds. Dans mon travail de développement, j'ai profité de recherches menées parallèlement à l'Université technologique de Tallinn, dans lesquelles nous



Sa

avons analysé la stratification thermique et les mouvements d'air dans le sauna. Saunum est né de la collaboration entre la réflexion scientifique et l'innovation technique.

Le système unique et breveté de brassage des couches d'air de Saunum capte la vapeur chaude qui s'accumule sous le plafond du sauna, la mélange avec l'air plus frais présent au niveau du sol, et renvoie une vapeur plus tempérée et homogène. Ceci procure une chaleur agréable et non agressive. Vous pouvez passer plus de temps dans le sauna, profiter d'une bonne suee et nettoyer la peau à fond sans ressentir de fatigue. Le volume de pierres de nos poêles est nettement plus important que dans les autres poêles, ce qui explique le climat particulièrement agréable de nos saunas, avec une vapeur longue et douce.

Un sauna moite et vaporeux, un sauna thérapeutique au sel ou un sauna aromatique et sain – toutes ces fonctions sont disponibles avec les pilotes Saunum, pour un sauna réellement reposant. Lorsque vous utilisez des boules de sel de l'Himalaya avec nos pilotes, les ions salins bénéfiques pour la peau et les bronches s'échappent et sont diffusés dans l'air par la vapeur. L'ajout d'un système aromatique qui mélange la vapeur et des huiles aromatiques aux vertus thérapeutiques procure un sauna encore plus agréable.

Les pilotes de sauna Saunum conviennent aux adultes comme aux enfants.

**Bon sauna !**

Andrus Vare  
Créateur de Saunum

Sa

Saunum **vous félicite** pour votre choix d'un poêle piloté par un pilote hygrothermique innovant Saunum.

Sa

## TABLE DES MATIÈRES

Informations de sécurité .....	172
<b>INSTRUCTIONS D'UTILISATION</b>	
Chauffage de la pièce du sauna .....	174
Utilisation du pilote hygrothermique .....	174
Réglage de la température .....	175
Réglage de l'humidité dans le sauna .....	175
Utilisation des boules de sel de l'Himalaya .....	175
Jeter de l'eau sur le poêle .....	176
Mises en garde .....	176
Résolution des problèmes .....	177
Chargement des pierres .....	179
Entretien du pilote hygrothermique du sauna .....	179
Pièce du sauna .....	181
Ventilation de la pièce du sauna .....	181
Puissance du poêle .....	182
<b>INSTALLATION</b>	
Avant l'installation .....	184
Support du poêle .....	185
Dimensions .....	186
Intégrité du produit .....	188
Pièces du système .....	189
Instructions d'installation .....	190
Branchement électrique .....	197
Installation et remplacement des éléments chauffants .....	201
Garantie .....	203
<b>Compte-rendu d'installation</b> .....	205

Sa

Sa



## INFORMATIONS DE SÉCURITÉ

Ces instructions d'installation et d'utilisation sont destinées au propriétaire du sauna ou à la personne chargée de l'entretien, ainsi qu'à l'électricien chargé de l'installation du poêle et du pilote hygrothermique du sauna. Après avoir installé le poêle et son pilote hygrothermique, ces instructions doivent être remises au propriétaire ou à la personne chargée de l'entretien.

Avant d'utiliser le poêle **Saunum Premium** et son pilote hygrothermique (dans la suite simplement appelé « le pilote »), veuillez lire les instructions d'installation et de sécurité.

Le pilote est destiné à chauffer la pièce du sauna à une température située entre 60 et 100 °C et à ajuster les paramètres climatiques durant le sauna.

**N.B. ! Le pilote et le poêle ne doivent pas être utilisés à des températures supérieures à 100 °C !**

**N.B. ! Le pilote Saunum Premium est conçu pour être utilisé avec l'unité de contrôle LEIL à des températures allant jusqu'à 100 °C.**

**N.B. ! Si le pilote Saunum Premium est utilisé avec des unités de contrôle fabriquées par une autre entreprise, la température ne doit pas dépasser 90 °C !**

**N.B. ! Ce manuel ne s'applique qu'aux saunas privés. Les conditions spéciales applicables aux saunas publics sont à préciser avec le fabricant.**

**N.B. ! Le fabricant n'est pas responsable d'une utilisation incorrecte du pilote !**

**N.B. ! N'employez pas le pilote hygrothermique du sauna pour d'autres usages !**

**N.B. ! Pour brancher le pilote hygrothermique du sauna sur le secteur, un dispositif de contrôle des poêles électriques est requis. Ce dispositif doit correspondre à la puissance du poêle, comme indiqué dans le Tableau 1.**

Le dispositif de contrôle doit pouvoir contrôler le ventilateur du pilote hygrothermique du sauna, et il est recommandé de pouvoir éteindre simultanément le poêle et le ventilateur.

**Pour assurer la longévité du pilote, vérifiez que la température dans la pièce du sauna ne dépasse pas 80 °C à la hauteur de la base du pilote.** Si cette valeur est dépassée, la protection thermique se déclenche et le ventilateur s'arrête ; il redémarrera dès que la température redescendra en-dessous de la limite du fusible de l'application.

Le fabricant n'est pas responsable d'un éventuel mauvais fonctionnement causé par un dépassement de la température de fonctionnement autorisée.

Tableau 1

PILOTE	PUISSANCE	PROTECTION	CABLE D'ALIMENTATION mm <sup>2</sup>		Hauteur minimum sous plafond	Distance de sécurité minimale autour du poêle	VOLUME de la pièce du sauna m <sup>3</sup>
		3 phases	3 phases	1 phase / ventilateur			
Saunum Premium	6 kW	C10	5 x 2,5	5 x 0,75*	200 cm	50 mm des côtés, 75 mm de l'avant, hauteur sous plafond 1 000 mm (depuis les pierres)	5-8
Saunum Premium	9 kW	C16	5 x 2,5	5 x 0,75*	200 cm	50 mm des côtés, 100 mm de l'avant, hauteur sous plafond 1 000 mm (depuis les pierres)	9-12

\* Avec l'unité de contrôle Leil de Saunum min 5 x 0,75 mm<sup>2</sup> / avec toute autre unité de contrôle 3 x 1,5 mm<sup>2</sup>

**N.B. !** La température maximale à la hauteur de la sonde de température du contrôleur (30 cm+ du poêle et 5 cm du plafond) est de 100 °C.

Sa

## CHAUFFAGE DE LA PIÈCE DU SAUNA

Avant d'utiliser le pilote hygrothermique du sauna pour la première fois, assurez-vous que :

- les branchements électriques soient conformes aux normes ;
- la tension d'alimentation corresponde aux valeurs nominales admises pour le pilote hygrothermique du sauna ;
- le raccordement à la terre (PE) fonctionne bien ;
- les fermetures du boîtier du pilote fonctionnent correctement ;
- le pilote hygrothermique du sauna soit correctement fixé au mur et que le mur soit capable de supporter le poids de l'appareil et des pierres ;
- les fusibles de surintensité de courant soient en bon état ;
- le rotor du ventilateur tourne sans à-coups ;
- aucun outil ou matériau n'ait été oublié dans le boîtier du pilote après la pose.

Lors de l'allumage du pilote hygrothermique du sauna, vérifiez :

- la direction du flux d'air – prise d'air par l'ouverture supérieure et restitution par l'ouverture inférieure ;
- l'absence de vibrations ou de bruit excessif lorsque le ventilateur fonctionne.

Lorsque le pilote hygrothermique du sauna est allumé pour la première fois, le poêle et les pierres vont dégager une odeur. La pièce du sauna doit être correctement aérée pour éliminer cette odeur.

Si la puissance du poêle est adaptée au volume de la pièce, il faut entre 45 et 90 minutes pour atteindre la température désirée, à condition que la pièce du sauna soit convenablement isolée. Les pierres arrivent généralement à la température de la vapeur en même temps que la pièce.

Faites démarrer le ventilateur juste avant d'entrer dans le sauna – cela permettra d'éviter une surchauffe du banc et une consommation inutile d'électricité. **La plage de températures recommandée par Saunum pour l'utilisation du sauna varie entre 65 °C et 80 °C.**

## UTILISATION DU PILOTE HYGROTHERMIQUE DU SAUNA

**N.B. !** Avant d'allumer le pilote du sauna, assurez-vous toujours qu'aucun objet ne se trouve au-dessus ou à proximité de celui-ci.

La durée de fonctionnement du pilote **Saunum Premium** peut être réglée au moyen d'un appareil de contrôle séparé.

- Ne branchez pas le pilote directement sur le secteur !
- Le pilote hygrothermique du sauna ne doit pas être utilisé si des compo-

sants de son boîtier ont été retirés et/ou si le schéma électrique a été modifié.

- Empêchez les enfants d'atteindre le pilote hygrothermique du sauna et de jouer avec.
- En allumant ou en éteignant le pilote du sauna, suivez les instructions d'utilisation de l'appareil de contrôle que vous utilisez.

**N.B. !** Après avoir utilisé le sauna, assurez-vous que toutes les parties du pilote hygrothermique soient éteintes (que le chauffage et le ventilateur soient à l'arrêt).

## RÉGLAGE DE L'HUMIDITÉ DANS LE SAUNA

L'intensité de circulation de l'air provoquée par le pilote se règle au moyen d'un interrupteur situé sur l'avant du pilote, sur la gauche de la partie inférieure. Cet interrupteur possède quatre positions et peut être tourné dans les deux sens. Lorsque le trait visible sur l'interrupteur pointe vers la gauche, le ventilateur du pilote est arrêté.

**La vitesse du flux d'air** augmente lorsque vous tournez l'interrupteur dans le sens des aiguilles d'une montre, et vous avez le choix entre trois vitesses différentes. Pour régler la température dans la pièce du sauna, un atténuateur de température est situé sur le côté gauche du socle du tuyau, derrière le panier à pierres (voir page 189). Il est recommandé de garder l'atténuateur de

température ouvert au tiers. Pour baisser la température de la vapeur, ouvrez progressivement le refroidisseur.

## RÉGLAGE DE LA TEMPÉRATURE

**N.B. !** Il est recommandé de maintenir le ventilateur du pilote hygrothermique à l'arrêt durant le chauffage du sauna !

Cela permet à la pièce de chauffer plus vite et empêche le banc de devenir trop chaud. Pour trouver le bon réglage, commencez par essayer la température la plus basse et la vitesse de flux d'air la plus basse. Si la température devient trop élevée pendant que vous vous trouvez dans le sauna, réduisez la température maximale ou baissez la vitesse du ventilateur du pilote.

## UTILISATION DE BOULES DE SEL DE L'HIMALAYA

Le pilote hygrothermique du sauna est équipé de boules de sel de l'Himalaya. L'usage de ces boules de sel est optionnel et n'a aucune influence sur le fonctionnement essentiel du pilote.

Les boules de sel doivent être disposées dans les compartiments situés entre la grille de sortie d'air et le ventilateur. Assurez-vous que les boules de sel soient correctement positionnées et n'entravent pas la rotation du ventilateur.

Sa



## Sa

Pour installer ou retirer les boules de sel, retirer la grille de sortie d'air (voir page 196) et placer les boules de sel dans les compartiments. Après avoir installé ou retiré les boules de sel, remettre la grille en place. Le pilote ne peut être utilisé que lorsque la grille de sortie d'air est en place ! N'utilisez pas ou ne démarrez pas le pilote si les boules de sel sont passées dans l'espace du ventilateur !

**N.B. !** L'utilisation de boules de sel acquises auprès d'autres fournisseurs n'est pas couverte par la garantie du pilote.

### JETER DE L'EAU SUR LE POÊLE

L'air s'assèche dans le sauna au fur et à mesure du chauffage. Il est donc nécessaire de créer de la vapeur pour atteindre un degré d'hygrothermie convenable. Les effets de la chaleur et de la vapeur sont différents suivant les personnes. En testant les différents réglages du pilote du sauna, vous pourrez trouver la combinaison de température et d'humidité qui vous convient le mieux.

**Le volume de la louche du sauna ne doit pas dépasser 0,2 litres. Lorsque vous jetez de l'eau, la quantité d'eau ne doit pas dépasser 0,2 litres : en effet, si vous jetez trop d'eau d'un seul coup sur les pierres, vous pouvez recevoir des éclaboussures d'eau bouillante.**

Assurez-vous que les participants soient à une distance correcte du poêle lorsque

vous jetez de l'eau ! La vapeur chaude et les éclaboussures peuvent occasionner des brûlures sur la peau. L'eau que vous jetez sur le poêle doit avoir les qualités de l'eau pure domestique. Seuls les parfums spécialement conçus pour le sauna peuvent être utilisés dans l'eau. Suivez les instructions figurant sur l'emballage.

**N.B. !** Ne versez pas d'eau dans les ouvertures du ventilateur du pilote hygrothermique !

### MISES EN GARDE

- Si vous restez trop longtemps dans le sauna, votre température corporelle s'élèvera, ce qui peut être dangereux pour la santé !
- Ne touchez pas le poêle lorsqu'il est chaud – les pierres et la surface extérieure du poêle peuvent vous brûler !
- Ne laissez pas des enfants ou des personnes handicapées ou malades dans le sauna sans surveillance !
- Consultez un docteur pour connaître les éventuelles contre-indications à la vapeur !
- Consultez un docteur pour connaître les éventuelles contre-indications à un traitement au sel !
- Assurez-vous que vous n'êtes pas allergique à un traitement au sel. Saunum n'est pas responsable des effets secondaires du traitement au sel !

## Sa

- Consultez un pédiatre ou votre médecin de famille sur l'accès des enfants au sauna !
- Soyez prudent lors de vos déplacements dans le sauna, car le banc et le sol peuvent être glissants !
- N'allez pas dans le sauna si vous avez pris de l'alcool, des stupéfiants ou des somnifères !
- Ne dormez pas dans le sauna chaud !
- L'air marin et les climats humides peuvent causer l'apparition d'une couche d'oxydation (rouille) sur les parties métalliques du poêle !
- Assurez-vous d'avoir une ventilation correcte dans le sauna. Saunum n'est pas responsable d'une éventuelle corrosion des appareils par le sel. Au besoin, consultez un spécialiste !
- Ne mettez pas de serviettes ou de vêtements à sécher dans le sauna – cela peut causer un départ d'incendie !
- Une humidité excessive peut endommager les équipements électriques !
- Il ne doit y avoir aucun obstacle à moins de 50 cm devant l'ouverture de ventilation !
- Les utilisateurs du sauna ne doivent pas placer leurs pieds ou toute autre partie du corps à moins de 50 cm du ventilateur !

**N.B. ! Le poêle électrique nécessite un panneau de contrôle et des pierres.**

**N.B. !** Ne laissez pas le ventilateur du pilote fonctionner lorsque vous ne vous trouvez pas dans la pièce du sauna – cela entraîne un gaspillage d'électricité et le banc peut devenir trop chaud !

### RÉSOLUTION DES PROBLÈMES

**N.B. !** Contactez un spécialiste qualifié pour effectuer la maintenance.

**En cas de troubles quelconques lors de l'utilisation du pilote hygrothermique du sauna, vous devez immédiatement cesser de l'utiliser et le faire vérifier par un agent agréé par Saunum.**

### LE PILOTE HYGROTHERMIQUE DU SAUNA NE CHAUFFE PAS ET NE SOUFFLE PAS D'AIR.

- Assurez-vous que les fusibles du poêle soient en bon état.
- Assurez-vous que le câble d'alimentation soit branché.
- Assurez-vous que le pilote hygrothermique du sauna soit bien allumé.
- Augmentez la température maximale dans le sauna.

### LA PIÈCE DU SAUNA CHAUFFE LENTEMENT. L'EAU JETÉE SUR LES PIERRES LES REFROIDIT RAPIDEMENT.

- Assurez-vous que le ventilateur du pilote hygrothermique du sauna soit arrêté durant la chauffe.

## Sa

- Assurez-vous que les fusibles du pilote hygrothermique soient en bon état.
- Assurez-vous que tous les éléments chauffants soient visiblement chauds (rougeoyants) lorsque le pilote du sauna est en marche.
- Augmentez la température sélectionnée sur le pilote.
- Assurez-vous que la puissance du poêle soit suffisante.
- Vérifiez les pierres. Des pierres trop serrées les unes contre les autres, tassées ou en train de se tasser, ou l'emploi du mauvais type de pierres, peuvent obstruer le passage de l'air dans le poêle et réduire la vitesse de chauffe.
- Assurez-vous que la ventilation de la pièce du sauna soit correcte.

#### LA PIÈCE DU SAUNA CHAUFFE RAPIDEMENT, MAIS LA TEMPÉRATURE DES PIERRES EST INSUFFISANTE. L'EAU JETÉE SUR LES PIERRES COULE PAR TERRE.

- Assurez-vous que la puissance du poêle ne soit pas trop élevée. Si la puissance du poêle est adaptée à la pièce du sauna, il faut 45 à 90 minutes pour atteindre la température désirée, en supposant une isolation adéquate.
- Assurez-vous que la ventilation de la pièce du sauna soit correcte.
- Réduisez la vitesse du ventilateur du pilote du sauna.

#### LE REVÊTEMENT MURAL OU D'AUTRES MATÉRIAUX PROCHES DU POÊLE S'ASSOMBRISSENT RAPIDEMENT.

- Respectez les consignes relatives aux distances de sécurité.
- Vérifiez les pierres. Des pierres trop serrées les unes contre les autres, tassées ou en train de se tasser, ou l'emploi du mauvais type de pierres, peuvent obstruer le passage de l'air dans le poêle et réduire la vitesse de chauffe.
- Assurez-vous qu'aucun élément chauffant ne soit visible entre les pierres. Si les éléments chauffants sont visibles, réarrangez les pierres de façon à les recouvrir complètement.

**N.B. !** Des pierres disposées de façon trop espacée feront que les éléments chauffants peuvent se trouver en surchauffe et dégrader les conditions hygrothermiques dans le sauna. Cela peut aussi être une cause d'incendie !

#### LES SURFACES EN BOIS DU SAUNA S'ASSOMBRISSENT AVEC LE TEMPS.

Ce processus peut être accéléré par :

- la lumière du soleil ;
- la chaleur émanant du poêle ;
- les protections des murs (les équipements de protection ont une faible résistance à la chaleur) ;
- de fines particules s'échappant des pierres.

## Sa

#### LE POÊLE ÉMET UNE ODEUR.

- Voir la section CHAUFFAGE DU SAUNA page 174.
- Un poêle chaud peut amplifier les odeurs présentes dans l'air, mais cela n'est pas causé par le sauna ou le poêle. Les causes peuvent être de la peinture, de la colle, de l'huile, des parfums, etc.

#### LE PILOTE HYGROTHERMIQUE DU SAUNA EST BRUYANT.

- Il y a toujours un certain bruit lorsque le ventilateur fonctionne. Si ce bruit n'est pas régulier et/ou s'accompagne d'un bruit métallique, le ventilateur a probablement besoin d'un entretien ou d'une réparation. Vérifiez l'absence de tout corps étranger dans le logement du ventilateur.
- Essayez de faire tourner le ventilateur à une vitesse inférieure.
- Des sons forts peuvent être causés par les pierres craquant sous l'effet de la chaleur.
- La dilatation thermique des parties du poêle peut également être à l'origine de bruits pendant que le poêle chauffe.

#### CHARGEMENT DES PIERRES

La façon dont les pierres ont été chargées a un effet important sur le fonctionnement du poêle.

#### Important à retenir :

- Le diamètre des pierres doit être compris entre 5 et 10 cm.
- Seules des pierres vendues spécifiquement pour le sauna doivent être utilisées dans les poêles.
- N'utilisez pas de « pierres » en céramique, légères et poreuses, ni de pierres tendres, dans le poêle. Elles n'emmagasinent pas assez de chaleur et peuvent endommager les éléments chauffants.
- Lavez les pierres et dépoussiérez-les avant de les placer dans le sauna.

**N.B. !** Utilisez toujours des pierres pour sauna polies de haute qualité avec les appareils Saunum. Des pierres cassées ou présentant des arêtes acérées peuvent endommager les éléments chauffants et en raccourcir la durée de vie.

Lorsque vous chargez les pierres, veillez aux points suivants :

- Ne laissez pas tomber les pierres dans le poêle.
- N'insérez pas les pierres de force entre les éléments chauffants.
- Ne laissez pas les pierres peser de tout leur poids sur les éléments chauffants, mais disposez-les de façon à ce qu'elles se supportent les unes les autres.
- N'entassez pas les pierres sur le poêle.

## Sa

- À proximité du panier de pierres ou du ventilateur du pilote du sauna, ne placez aucun objet qui puisse influencer sur le débit ou la direction du flux d'air ventilé par le pilote.

## ENTRETIEN DU PILOTE HYGROTHERMIQUE DU SAUNA

Les pierres ont tendance à se casser sous l'effet des grandes fluctuations de température. Celles-ci doivent être remises en place au moins une fois par an, ou plus fréquemment si le sauna est utilisé très souvent. Lorsque vous rechargez les pierres, retirez tous les petits morceaux du fond du poêle et remplacez les pierres cassées par des nouvelles. En observant cette précaution, vous assurerez que la capacité de chauffe du poêle demeure optimale et vous éviterez le risque de surchauffe.

Si vous utilisez des boules de sel de l'Himalaya avec le pilote du sauna, il est recommandé d'inspecter celles-ci une fois par an et, si besoin, de remplacer les boules usées ou cassées par de nouvelles. Assurez-vous qu'aucun corps étranger ne soit présent dans les orifices à air du ventilateur du pilote.

**ATTENTION !** Avant de procéder à l'entretien et au nettoyage du pilote hygrothermique du sauna, débranchez-le du secteur et attendez que toutes les parties mobiles du pilote soient à l'arrêt.

Avant de procéder à l'entretien et au nettoyage du pilote hygrothermique du sauna, assurez-vous que :

- Le pilote soit débranché du secteur (en plus de l'interrupteur du pilote, également par des fusibles de surintensité) ;
- Le ventilateur soit entièrement arrêté ;
- Les équipements de sécurité et de protection matérielle et personnelle soient utilisés au cours du travail ;
- Les câbles de branchement ne soient pas endommagés. S'ils sont endommagés, les câbles d'alimentation doivent être remplacés par des câbles neufs avant de poursuivre l'entretien et le nettoyage. Ce changement doit être effectué par un électricien qualifié dans le respect des normes et des règles en vigueur.

Le boîtier du pilote peut être nettoyé avec un chiffon humide. N'utilisez pas de nettoyeurs à eau sous pression, d'eau courante, de détergents chimiques ou de solvants pour nettoyer le boîtier.

Utilisez de l'acide citrique à 10 % pour supprimer le tartre et rincez à l'eau.

La saleté excessive peut déséquilibrer le rotor du ventilateur et augmenter le bruit pendant le fonctionnement du pilote du sauna. Le bruit peut aussi augmenter si les lames du ventilateur sont endommagées/tordues. Assurez-vous qu'aucun corps

## Sa

étranger ni aucune boule de sel ne soient présents dans l'espace du rotor.

Le ventilateur n'a généralement pas besoin d'être nettoyé plus d'une fois par an. Le ventilateur ne peut être nettoyé que par un agent agréé par Saunum.

L'utilisation d'air comprimé pour nettoyer le ventilateur peut causer un dommage irréversible du rotor !

Les roulements du ventilateur n'ont pas besoin d'entretien et doivent être remplacés si un problème survient.

Il est recommandé de vérifier tous les branchements électriques du pilote du sauna au moins une fois par an. Cela ne peut être fait que par une personne qualifiée.

## PIÈCE DU SAUNA

Avant d'installer le pilote hygrothermique du sauna, il est nécessaire que la pièce du sauna ait été convenablement préparée. L'isolation thermique des murs et du plafond doit être adéquate, sans quoi le chauffage de la pièce prendra trop de temps et consommera trop d'électricité. Les câbles d'alimentation électrique du poêle et du ventilateur doivent être indiqués sur le tableau électrique général, dans le respect des spécifications du tableau 1 (voir pages 172–173).

## VENTILATION DE LA PIÈCE DU SAUNA

L'air de la pièce du sauna doit être renouvelé au moins six fois par heure.

Si vous utilisez une sortie d'air à extraction mécanique, positionnez la prise d'air au-dessus du pilote du sauna. En cas d'utilisation d'une sortie d'air à extraction naturelle, positionnez la prise d'air sous le pilote ou à côté de celui-ci. Le tuyau de la prise d'air doit avoir un diamètre de 80 à 100 mm.

Installez la sortie d'air près du sol, aussi loin que possible du pilote hygrothermique. Le diamètre du tuyau de la sortie d'air doit être le double de celui de la prise d'air. Si la sortie d'air s'effectue dans la salle de douche, il faut une ouverture d'au moins 100 mm en bas de la porte du sauna.

**La ventilation de l'air usé dans le sauna est obligatoire.**

L'orifice d'aération pour le séchage (optionnel) doit être installé dans le plafond, proche du mur faisant face au pilote du sauna (et être fermé durant la chauffe et l'utilisation du sauna). Le sauna peut aussi être séché en laissant la porte ouverte après utilisation.

Le système de ventilation du sauna doit, si possible, empêcher l'air extrait du sauna de pénétrer dans d'autres pièces, surtout lorsque le pilote du sauna est utilisé avec des boules de sel.

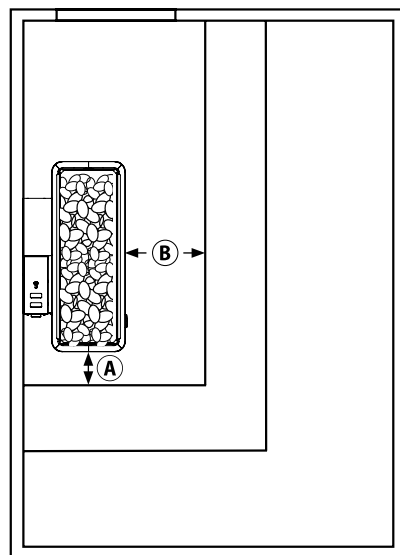
Sa

## PUISSANCE DU POËLE

Sous réserve d'une isolation suffisante derrière les murs et le plafond, la puissance du poêle est déterminée par le volume de la pièce du sauna, i.e., 1 kW par m<sup>3</sup>. Des murs non isolés (briques, briques de verre, verre, béton, sol carrelé, etc.) rendent nécessaire un poêle plus puissant. Ajoutez 1,2 m<sup>3</sup> au volume de la pièce du sauna pour chaque mètre carré de mur non isolé.

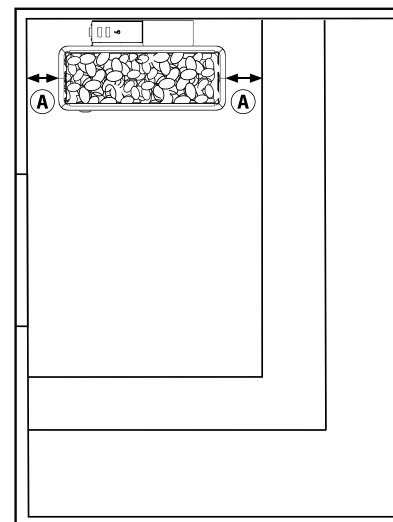
*Par exemple*, un sauna de 10 m<sup>3</sup> avec une porte en verre nécessitera la même puissance qu'un sauna de 12 m<sup>3</sup>. Si la pièce du sauna possède des murs en madriers, multipliez son volume par 1,5. Les volumes optimaux des saunas pour le pilote Saunum Premium sont indiqués dans le Tableau 1 (voir pages 172–173). La hauteur de la pièce du sauna est généralement comprise entre 2 100 et 2 300 mm.

La hauteur minimale autorisée lorsque vous installez le pilote hygrothermique du sauna Saunum Premium est de 2 000 mm.



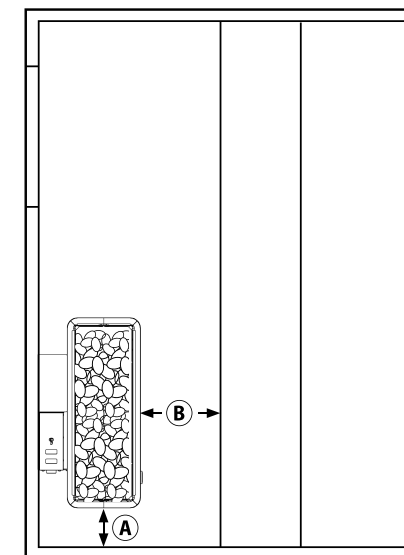
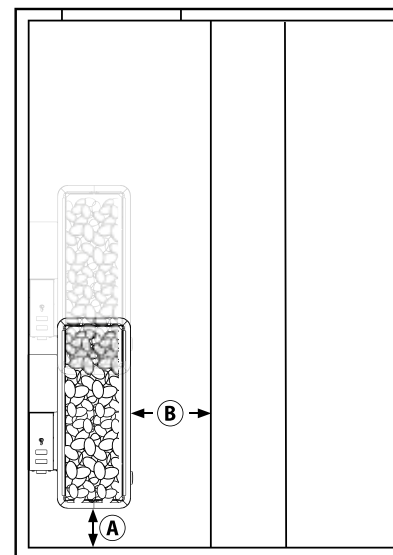
**Distances de sécurité pour l'appareil Saunum Premium et placement recommandé dans le sauna.**

Sa



- Saunum Premium 6 kW – A > 50 mm et B > 75 mm
- Saunum Premium 9 kW – A > 50 mm et B > 100 mm

**L'appareil peut être adossé au bardage du mur de la pièce du sauna !**



Sa

## AVANT L'INSTALLATION

L'installation du pilote hygrothermique du sauna doit être effectuée par un électricien qualifié. La connexion de l'appareil doit être effectuée dans un lieu stable, avec un câble approprié pour les conditions de température attendues. Le branchement de protection à la terre (PE) doit être effectué sur la prise du pilote avec un câble de section supérieure ou égale à 2,5 mm<sup>2</sup>. Le pilote doit être mis en marche depuis le circuit d'alimentation de l'appareil de contrôle, protégé par des fusibles. Les tailles des fusibles et des câbles de connexion sont indiquées dans le Tableau 1 (voir pages 172–173).

Tous les appareils de contrôle du sauna de capacité opérationnelle correspondant au modèle Saunum Premium utilisés en accord avec les données du Tableau 1 (voir pages 172–173) peuvent être utilisés pour contrôler le pilote hygrothermique du sauna.

**Avant de démarrer les travaux d'installation, lisez les instructions d'installation et prenez garde aux points suivants :**

- La puissance et le type du poêle doivent convenir à votre sauna. Le volume recommandé pour la pièce du sauna est indiqué dans le Tableau 1 (voir pages 172–173).
- La tension d'alimentation doit être

conforme pour le pilote hygrothermique du sauna.

- L'emplacement où est installé le pilote doit respecter les distances de sécurité, mesurées depuis la carapace du poêle, et indiquées dans le Tableau 1 (voir pages 172–173).
- Les dimensions des modèles (accrochés au mur ou posés sur support) sont indiquées à la page 186 (DIMENSIONS).
- Il faut également s'assurer que le bord supérieur de l'orifice du ventilateur soit plus bas que le bord inférieur du banc.
- Il ne doit y avoir aucun obstacle devant la sortie d'air du ventilateur, et l'air soufflé doit pouvoir circuler librement dans la pièce du sauna.
- Le fonctionnement est optimal lorsque le capuchon du tuyau est placé contre le plafond de la pièce du sauna et que l'air soufflé est dirigé sous le banc.

Cependant, il ne faut pas que le bord supérieur du poêle se trouve à plus de 80 cm du sol. Le pilote est prévu pour être fixé au mur par des vis de 6 mm (partie inférieure) et de 5 mm (capuchon du tuyau).

**Le mur sur lequel est placé le pilote du sauna doit pouvoir supporter un poids de 130 kg au moins.** Le type de fixations à utiliser doit être choisi en fonction des

Sa

caractéristiques de la structure porteuse. La méthode de montage doit garantir que le pilote soit fermement fixé au mur !

**Les distances de sécurité doivent être rigoureusement respectées, sous peine d'un risque d'incendie. Un seul pilote hygrothermique peut être installé dans la pièce du sauna.**

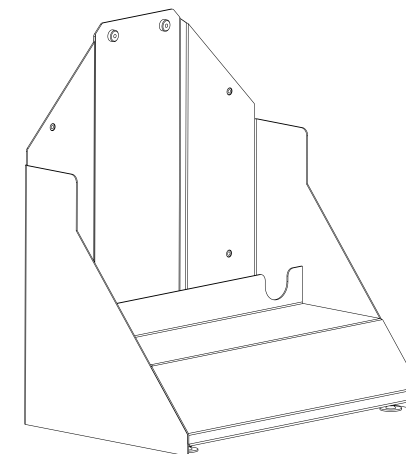
## SUPPORT DU POÊLE

Dans les cas où il n'est pas possible de fixer le Saunum Premium au mur (par exemple si le mur ne peut pas supporter le poids du poêle chargé de pierres, ou s'il s'agit d'une paroi en verre), un support spécial peut être ajouté au poêle (voir INSTRUCTIONS D'INSTALLATION, page 192). Ce support n'est pas compris dans le kit standard et doit être commandé séparément auprès du fournisseur.

Le poêle et son support ne sont pas prévus pour être placés librement au milieu de la pièce du sauna et ne doivent pas être utilisés de cette façon. Le support doit être posé sur un sol horizontal et adossé au mur, et il doit être fixé solidement au mur. Les pieds doivent être ajustés de façon à ce que le poêle ne soit pas penché.

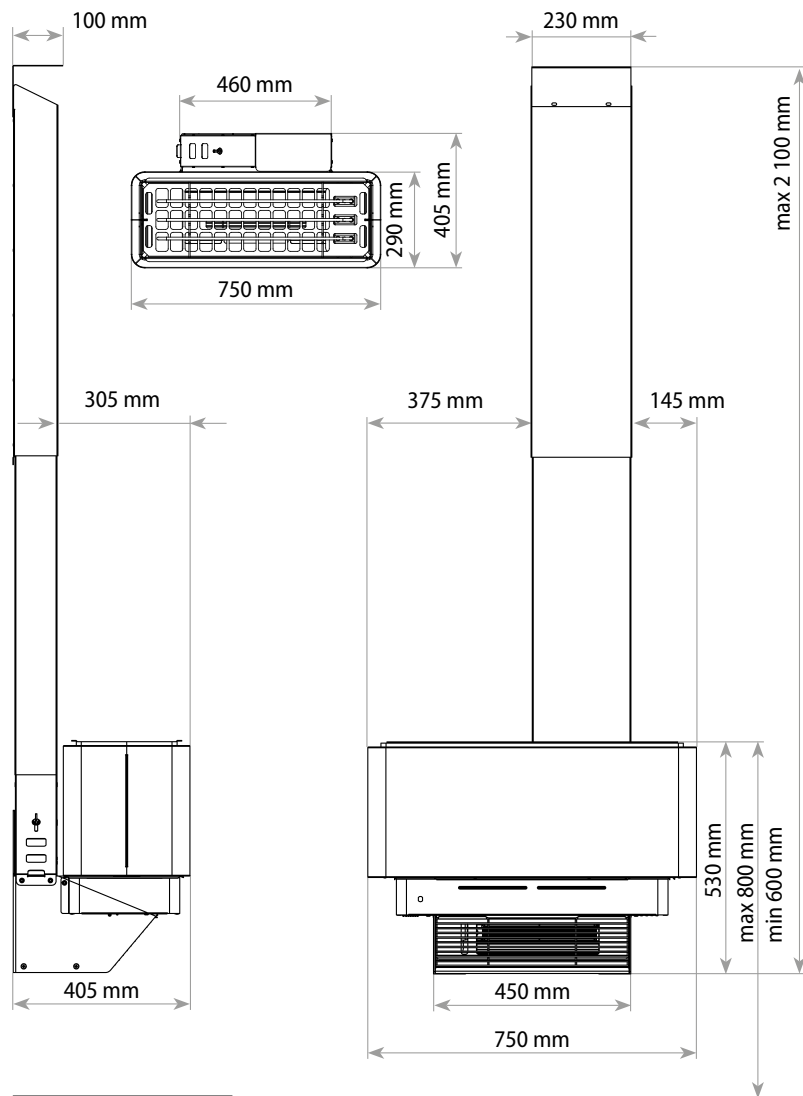
Il est recommandé d'utiliser des garnitures de sécurité pour éviter toute brûlure suite à un contact avec le poêle. S'il n'est pas

possible de visser le support contre le mur (par exemple dans le cas d'une paroi de verre), les garnitures de sécurité sont obligatoires.



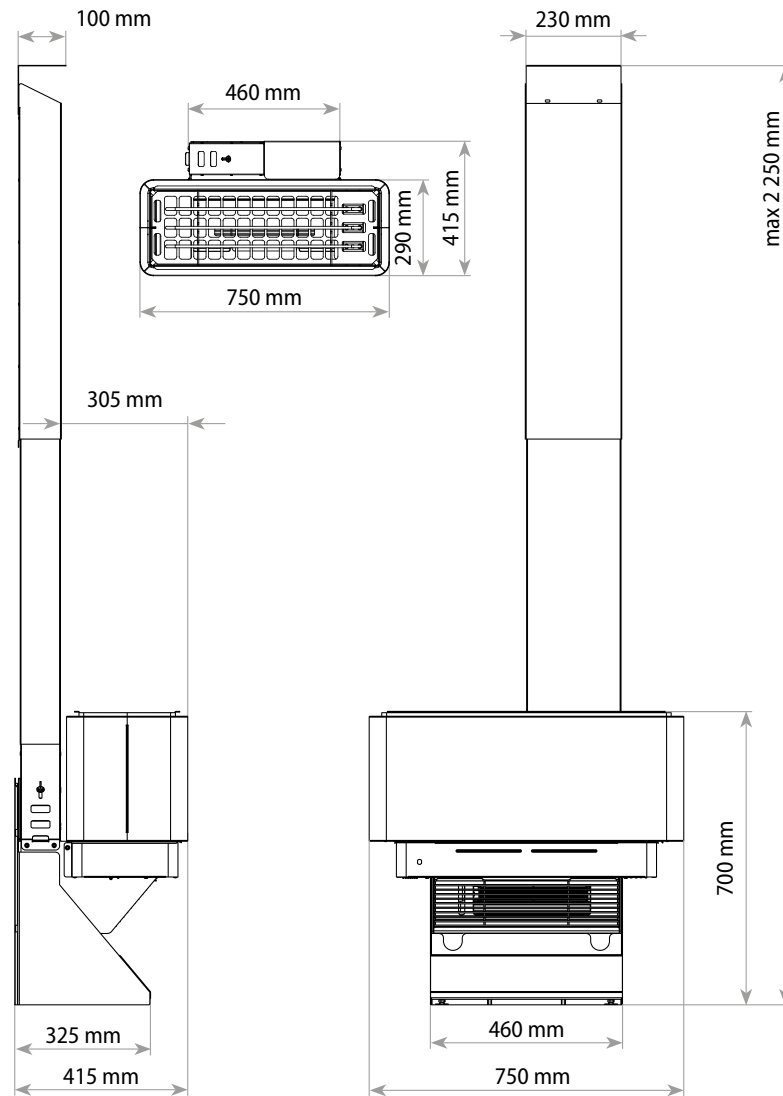
Sa

## Saunum Premium



Sa

## Saunum Premium avec support (optionnel)

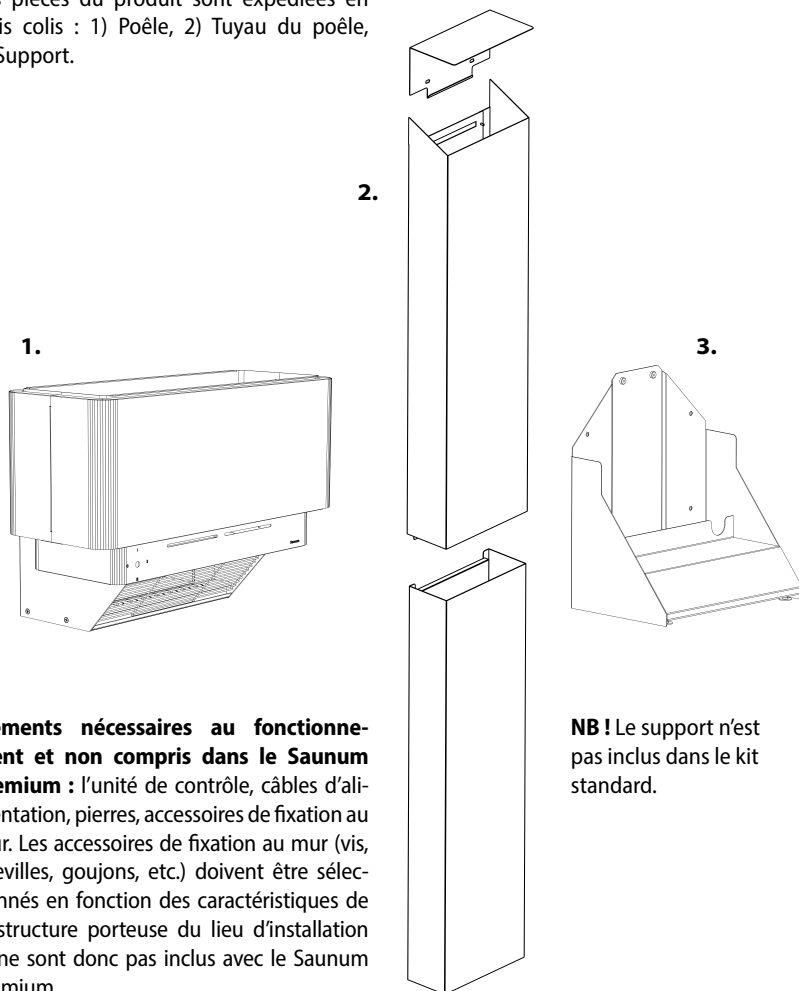


Sa

Sa

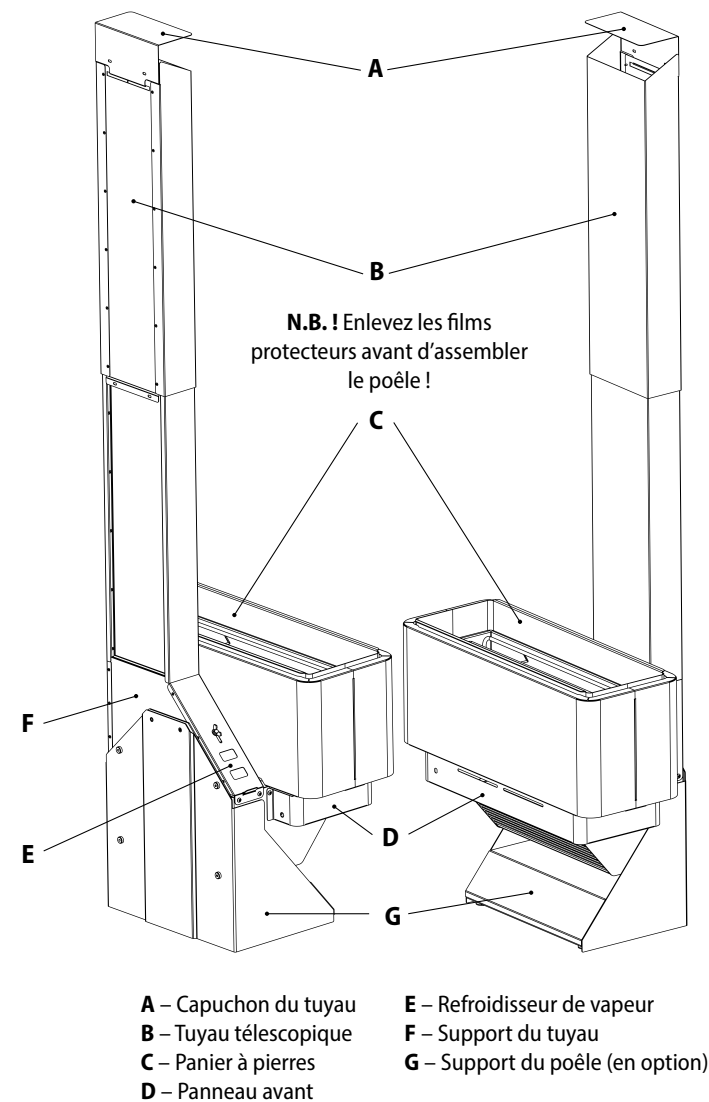
## INTÉGRITÉ DU PRODUIT

Les pièces du produit sont expédiées en trois colis : 1) Poêle, 2) Tuyau du poêle, 3) Support.



**Éléments nécessaires au fonctionnement et non compris dans le Saunum Premium :** l'unité de contrôle, câbles d'alimentation, pierres, accessoires de fixation au mur. Les accessoires de fixation au mur (vis, chevilles, goujons, etc.) doivent être sélectionnés en fonction des caractéristiques de la structure porteuse du lieu d'installation et ne sont donc pas inclus avec le Saunum Premium.

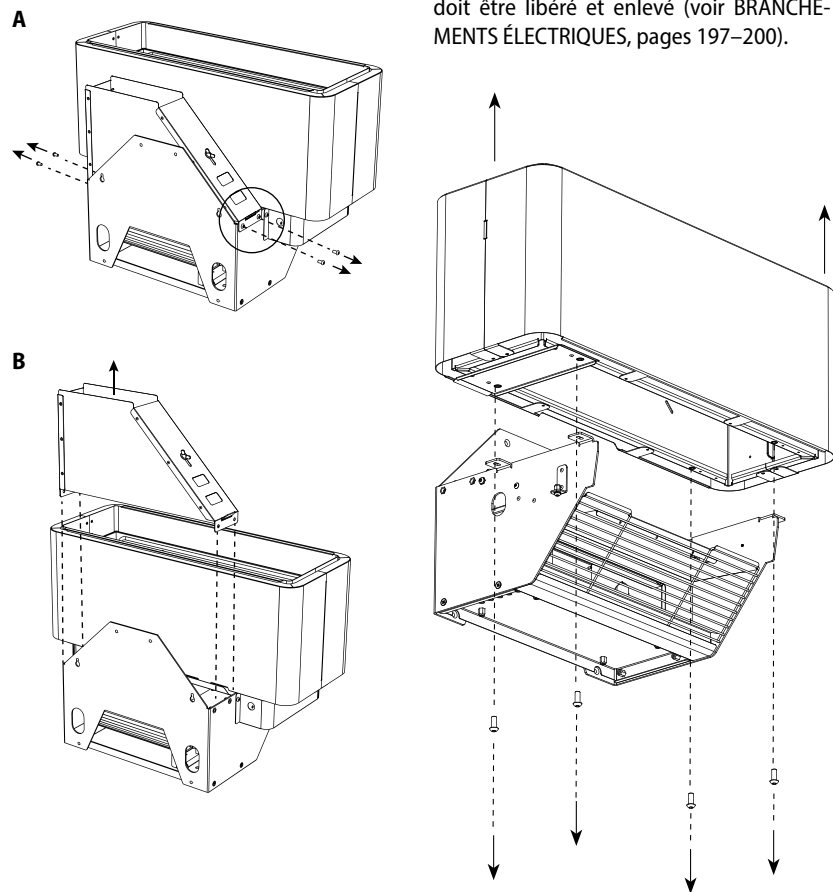
**NB !** Le support n'est pas inclus dans le kit standard.



Sa

## FIXATION AU MUR

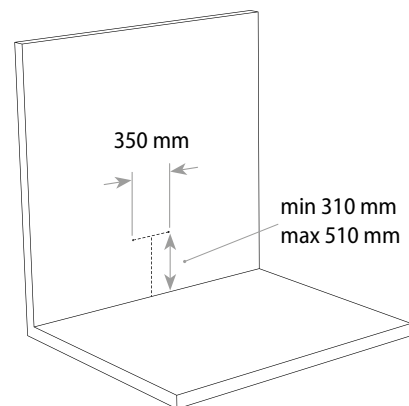
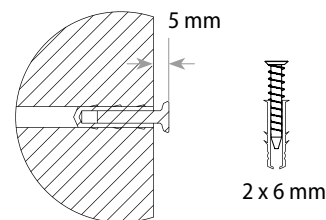
1. Dévissez les quatre boulons (A) retenant le support du tuyau et enlevez le support du tuyau (B).



2. Séparez le panier à pierres du module principal. Si le panier à pierres est déjà boulonné au module principal, dévissez les boulons (il y en a 4) sous le fond du panier à pierres, puis soulevez le panier. Pour avoir accès aux boulons arrière, le panneau avant doit être libéré et enlevé (voir BRANCHEMENTS ÉLECTRIQUES, pages 197–200).

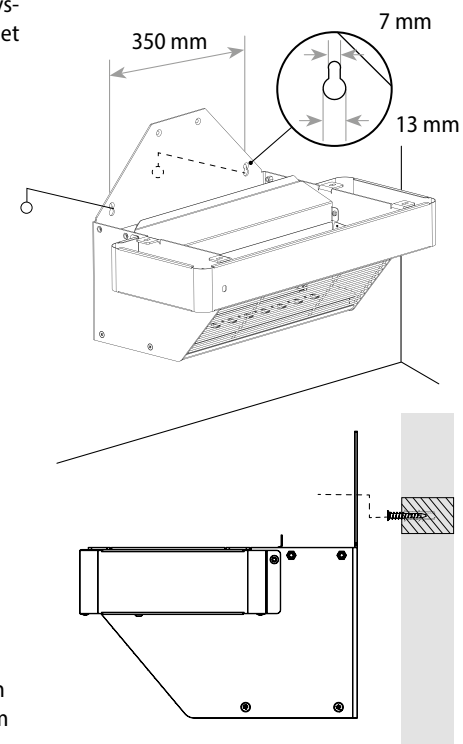
3. Vissez les vis dans les trous centraux du système de fixation au mur, en les laissant dépasser de 5 mm.

**N.B. !** Assurez-vous que les trous du système de fixation soient situés entre 310 et 510 mm au-dessus du sol.



Sa

4. Soulevez l'appareil contre le mur de façon à ce que les vis enfoncées dans le mur passent dans les trous situés à l'arrière de l'appareil.

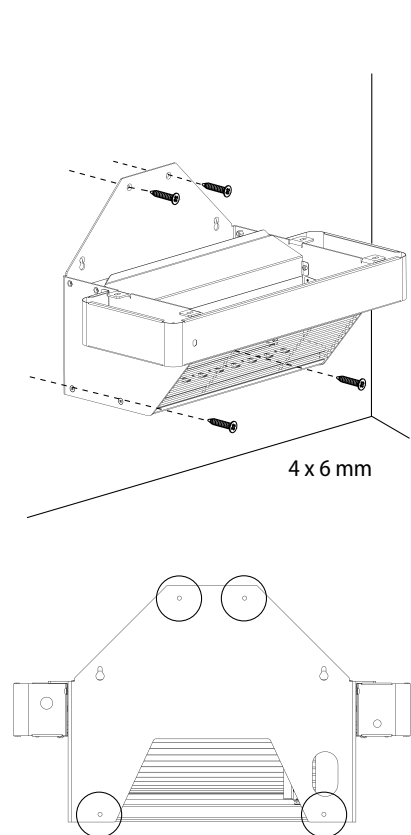


**N.B. !** Lorsque vous soulevez le module principal, assurez-vous que le panneau avant ne repose pas sur le câble d'alimentation ! Fixez le panneau avant au module principal avec au moins deux boulons.

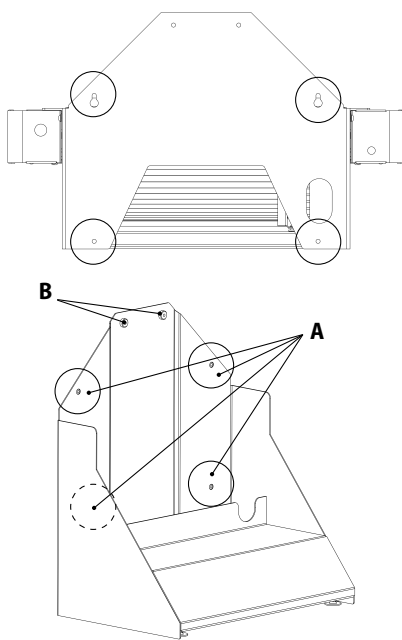


Sa

5. Vissez les quatre vis de fixation restantes dans les trous supérieurs et inférieurs et fixez l'appareil contre le mur. L'appareil est maintenant fixé au mur en six points.



5.1. Version avec le support (voir POËLE SUR SUPPORT, page 185). Fixez l'appareil sur le support à l'aide de quatre boulons (A).

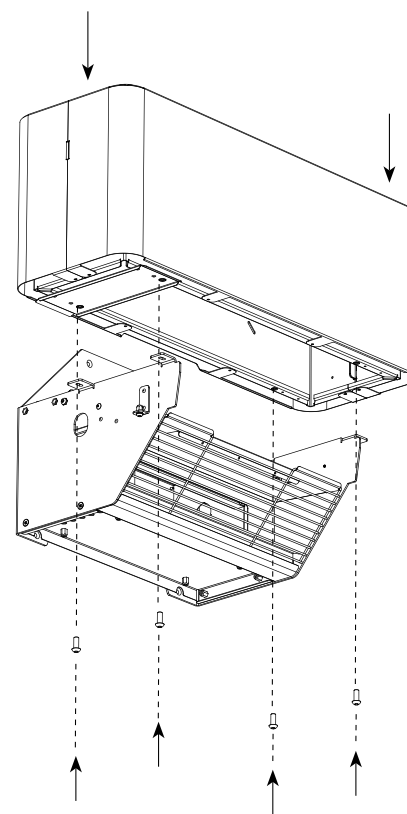


Puis mettez l'appareil en place. Le support doit être posé sur un sol horizontal, l'arrière contre le mur. Ajustez les pieds de façon à ce que l'appareil ne soit pas penché.

**N.B. !** L'appareil doit être fixé au mur par ses deux trous de fixation supérieurs (B) pour l'empêcher de basculer ! Si le dispositif ne peut pas être fixé au mur, il est obligatoire de placer des garnitures de sécurité autour du poêle !

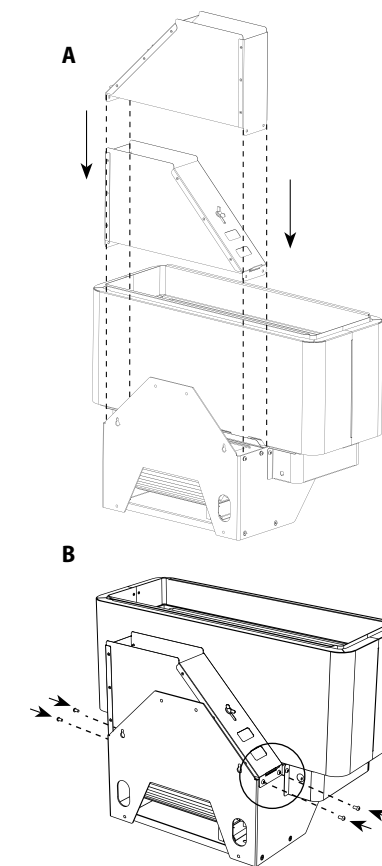
Sa

6. Remettez le panier à pierres en place et fixez-le à l'aide de quatre boulons.



7. Remettez le support du tuyau en place (A).

**N.B. !** Le support du tuyau peut être positionné de deux façons différentes, pour que le tuyau soit sur la gauche ou sur la droite du poêle ; l'installateur dispose des deux possibilités. Fixez-le à l'aide de quatre boulons.



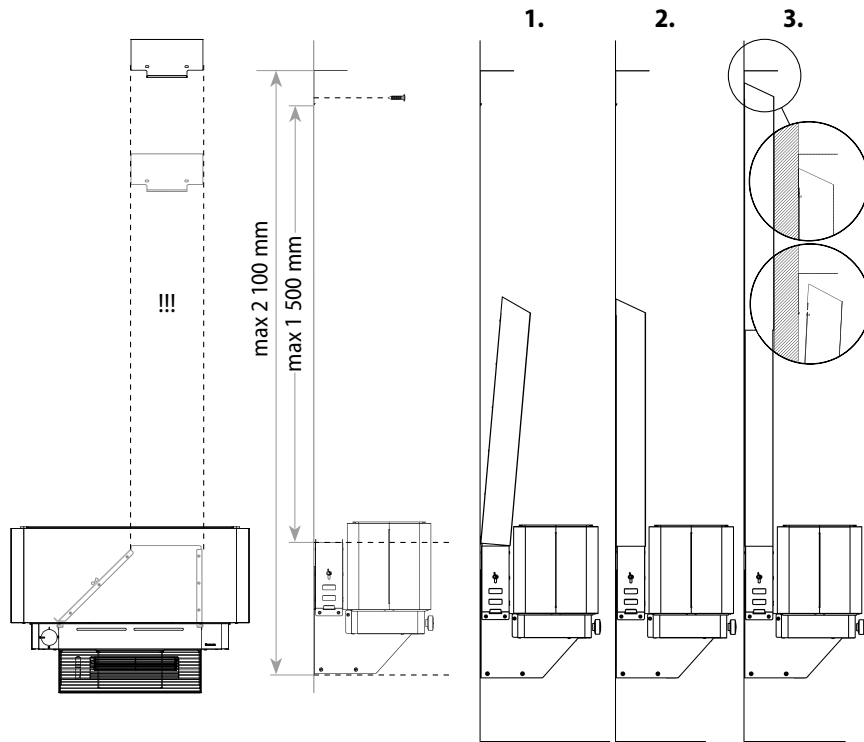
Sa

8. Fixez le capuchon du tuyau au plafond du sauna à l'aide de deux vis de 5 mm.

**N.B. !** Assurez-vous que le capuchon du tuyau soit bien aligné avec l'ouverture du support du tuyau !

9. Placez la partie inférieure du tuyau sur le support.

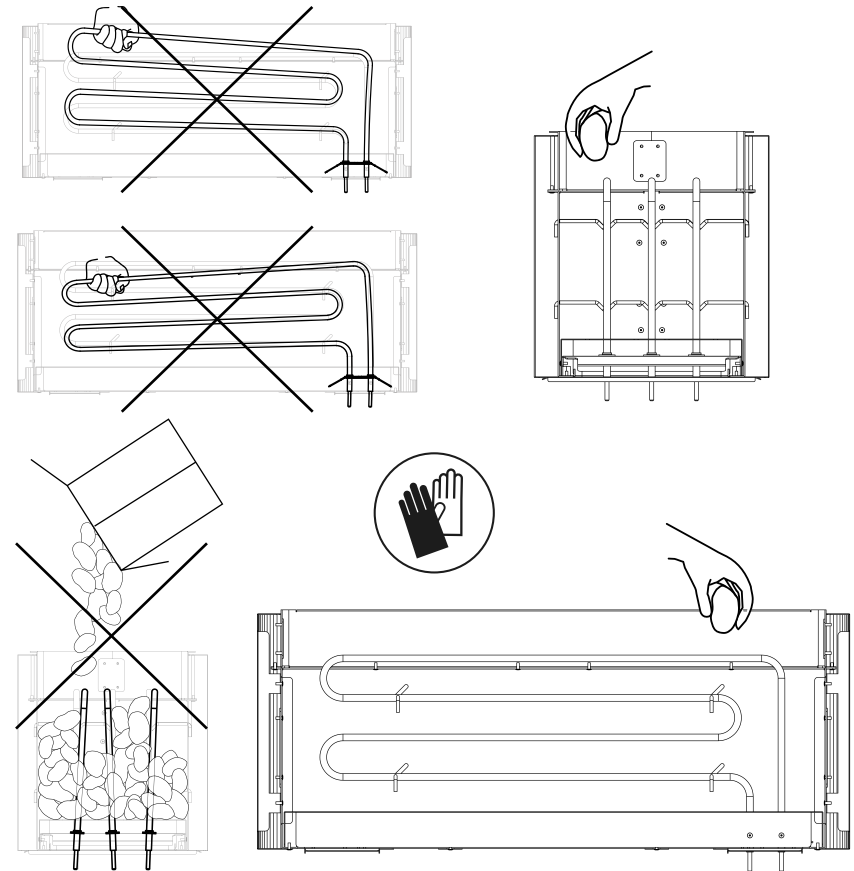
10. Assemblez les parties inférieure et supérieure du tuyau et suspendez la partie supérieure au capuchon du tuyau.



Sa

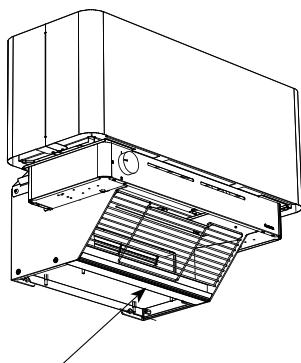
11. Installez les tiges de support des éléments chauffants (voir INSTALLATION ET REMPLACEMENT DES ÉLÉMENTS CHAUFFANTS page 201).

12. Remplissez le panier de pierres (voir CHARGEMENT DES PIERRES page 179).



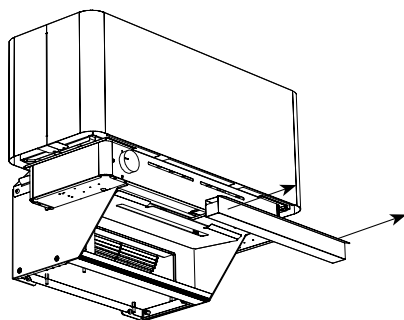
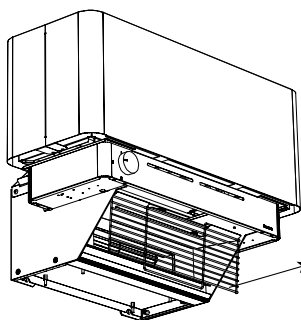
Sa

13. Installez les boules de sel (voir UTILISATION DES BOULES DE SEL DE L'HIMALAYA page 175).



Retirez la grille de la sortie d'air en la soulevant (voir la direction sur le schéma) et placez les boules de sel dans leurs logements. Après avoir installé ou retiré les boules de sel, remettez la grille en place.

**Le pilote ne peut être utilisé que lorsque la grille de sortie d'air est en place !**



Sa

## BRANCHEMENT ÉLECTRIQUE

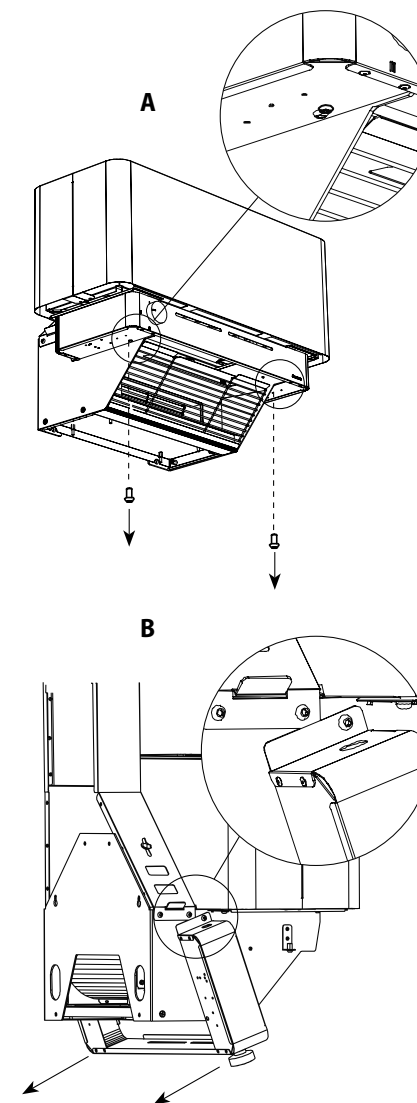
Connectez les éléments chauffants comme indiqué sur le diagramme de branchement à la page 198.

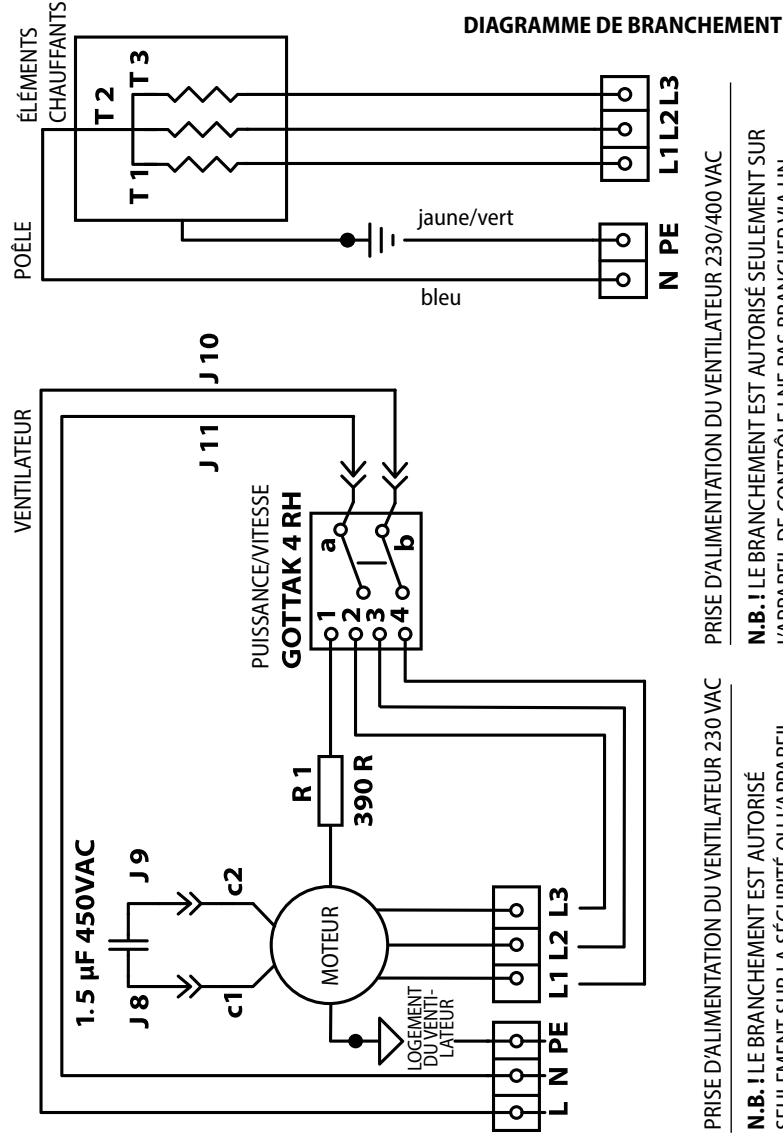
Connectez le pilote hygrothermique du sauna au dispositif de contrôle.

**Le branchement électrique de l'appareil doit être effectué par un électricien qualifié, dans le respect des normes et des règles en vigueur. Avant d'effectuer tout branchement électrique, assurez-vous que le disjoncteur automatique de l'appareil soit déconnecté (éteint) du panneau électrique !**

Le pilote du sauna doit être connecté en position semi-stationnaire à la boîte de jonction sur le mur de la pièce du sauna. La boîte de jonction doit être étanche aux éclaboussures, et sa hauteur maximale à partir du sol est de 500 mm.

Le câble de connexion doit être un câble de type H07RN-F avec un isolant caoutchouc, ou équivalent. Pour accéder aux connexions électriques de l'appareil, il est nécessaire d'ouvrir le panneau avant sous le panier à pierres. Pour retirer le panneau, dévissez entièrement les deux boulons situés sous l'appareil (voir figure A ci-dessous). Pour un accès plus confortable, desserrez également les boulons latéraux (B).





Sa

Sa

PRISE D'ALIMENTATION DU VENTILATEUR 230 VAC

**N.B. !** LE BRANCHEMENT EST AUTORISÉ SEULEMENT SUR LA SÉCURITÉ OU L'APPAREIL DE CONTRÔLE !

PRISE D'ALIMENTATION DU VENTILATEUR 230/400 VAC

**N.B. !** LE BRANCHEMENT EST AUTORISÉ SEULEMENT SUR L'APPAREIL DE CONTRÔLE ! NE PAS BRANCHER VIA UN APPAREIL À COURANT RÉSIDUEL !

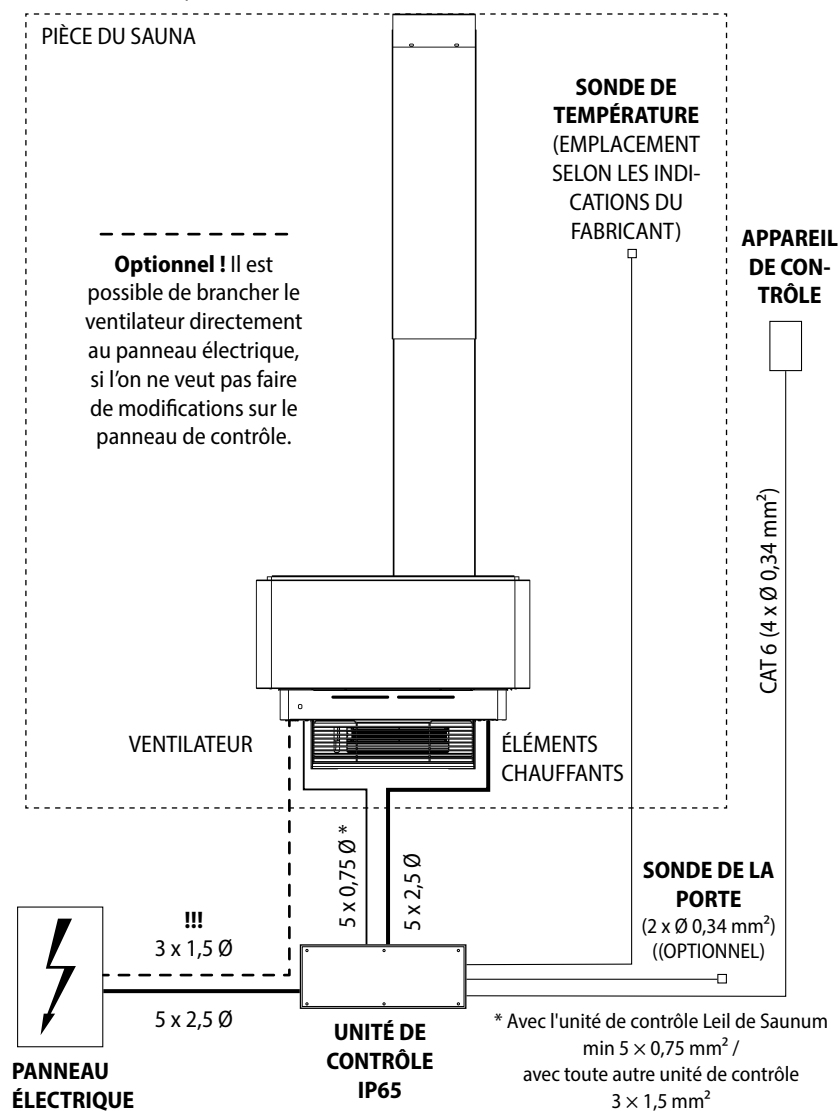
**N.B. ! Il est interdit d'utiliser des câbles à isolant PVC pour brancher le pilote du sauna car la chaleur peut fragiliser l'isolant.**

- Les connexions internes de l'appareil se font au moyen de serre-fils à vis, conformément au diagramme de branchement (page 198) et Tableau 1 (pages 172–173) de ce manuel.
- Le branchement de protection à la terre (PE) doit être effectué sur la prise du pilote avec un câble de section supérieure ou égale à 2,5 mm<sup>2</sup>.
- Le poêle doit être alimenté par le secteur en tension 380 VAC (triphase) ou 230 VAC (monophasé) 50/60 Hz via un système de contrôle protégé par des fusibles de surintensité aux caractéristiques indiquées dans le Tableau 1 (pages 172–173).
- Si vous voulez brancher le ventilateur de circulation d'air du pilote séparément du contrôle du poêle, le ventilateur doit alors être branché via un appareil à courant résiduel. Dans ce cas, la protection à la terre (PE) du branchement de l'alimentation du ventilateur du pilote du sauna ne doit pas être mise en contact avec la protection à la terre du branchement d'alimentation du poêle. Dans ce cas, utilisez des câbles mis à la terre, d'une section d'au moins 1,5 mm<sup>2</sup>, pour alimenter le ventilateur.
- Le câble d'alimentation doit entrer dans le boîtier du pilote hygrothermique du sauna d'une telle façon que l'eau ne puisse pas ruisseler le long du câble et pénétrer dans le boîtier de connexion du logement du pilote. L'isolation extérieure du câble ne peut être retirée que sur la partie du câble située à l'intérieur du logement.
- Si les câbles de branchement et d'installation se trouvent à plus de 1 000 mm au-dessus du sol du sauna, ou s'ils passent à l'intérieur des murs du sauna, ils doivent pouvoir supporter une température d'au moins 170 °C (par exemple SSJ). Les équipements électriques placés dans la pièce du sauna à moins de 1 000 mm du sol doivent pouvoir supporter une température d'au moins 125 °C (par exemple T125).
- La section transversale recommandée pour les goulottes des câbles de branchement est indiquée dans le Tableau 1 (pages 172–173).

**N.B. ! L'appareil ne peut être branché sur le secteur que par un électricien qualifié, dans le respect des règles en vigueur !**

Sa

## CÂBLES ÉLECTRIQUES POUR SAUNUM PREMIUM



Sa

## RÉSISTANCE D'ISOLEMENT DU POÊLE ÉLECTRIQUE

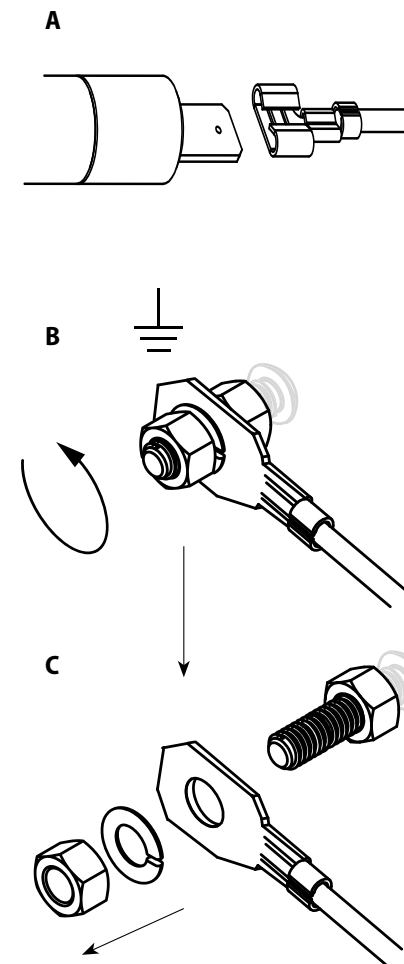
Durant l'inspection finale de l'installation électrique, il se peut qu'une fuite soit détectée lors de la mesure de la résistance d'isolement du pilote hygrothermique, due à l'absorption de l'humidité ambiante par le matériau isolant des éléments chauffants (durant le stockage ou le transport). Après quelques utilisations du pilote hygrothermique, cette humidité disparaîtra.

**N.B. ! Ne branchez pas le poêle sur le secteur via un appareil à courant résiduel !**

## INSTALLATION ET REMPLACEMENT DES ÉLÉMENTS CHAUFFANTS

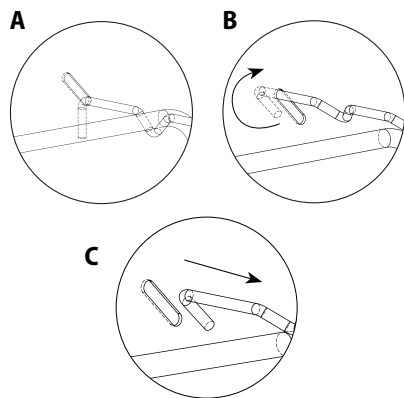
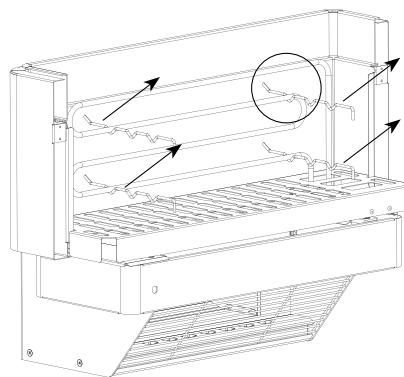
**N.B. ! Avant de procéder au remplacement des éléments chauffants, assurez-vous que le coupe-circuit automatique de l'appareil soit éteint au niveau du tableau électrique.**

Les éléments chauffants sont connectés à l'appareil par des embouts (A). Il est nécessaire de débrancher ces embouts (B) avant de retirer les éléments chauffants. Débrancher la protection à la terre du boulon du poêle (B, C).

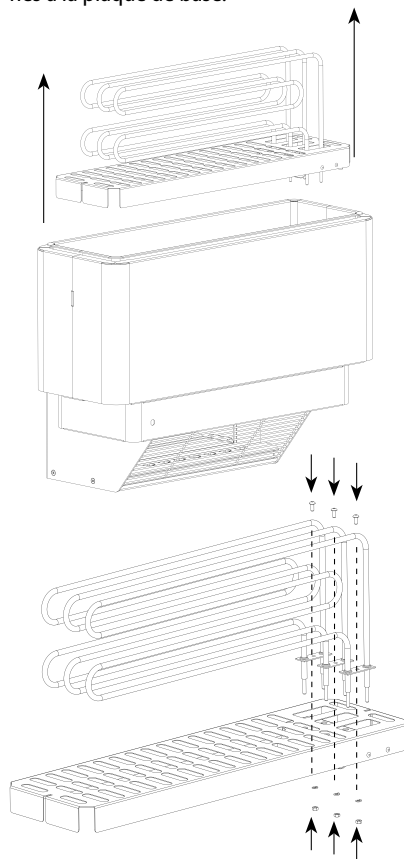


Sa

Retirer ensuite les quatre tiges supportant les éléments chauffants (A). Pour cela, tournez la tige d'une telle façon que l'extrémité courbée de celle-ci soit parallèle au trou du logement (B), puis tirez obliquement par le trou, d'abord d'un côté (C), puis de l'autre.



Il est alors possible de soulever les éléments chauffants et de les sortir du panier à pierres, en même temps que la plaque de base. Les éléments chauffants sont boulonnés à la plaque de base.



Lorsque les éléments chauffants ont été remplacés, refixez l'ensemble dans l'ordre inverse.

Sa

## CONDITIONS GÉNÉRALES DE GARANTIE

### DES PRODUITS SAUNUM

Avec la garantie sur les appareils Saunum, et à partir de la date d'achat, Saunum vous assure que le produit sera exempt de défauts matériels ou d'assemblage pendant une durée spécifiée. Si, durant la période de garantie, il apparaît que l'appareil est défectueux à cause de matériaux de qualité inférieure ou d'un défaut d'assemblage, les réparateurs partenaires recommandés par Saunum répareront ou remplaceront l'appareil ou ses éléments défectueux, sans coût de main d'œuvre ni de pièces, selon les conditions précisées ci-dessous. Saunum se réserve le droit de choisir entre le remplacement d'un élément défectueux ou le remplacement de l'appareil entier. Les produits défectueux remplacés demeurent la propriété de Saunum.

#### Conditions de garantie :

1. La garantie n'est valable que si un rapport d'achèvement de l'installation est soumis en même temps que la réclamation.
2. L'appareil a été branché au secteur par un électricien qualifié, dans le respect des règles en vigueur.

3. La période de garantie du pilote hygrothermique du sauna est de deux (2) ans pour une utilisation dans un sauna privé.
4. La période de garantie du pilote hygrothermique du sauna est d'un (1) an pour une utilisation dans un sauna public.

#### Ne sont pas couverts par la garantie :

1. L'entretien et le nettoyage courants de l'appareil, et le remplacement de pièces découlant d'une usure normale.
2. L'adaptation ou la modification de l'appareil pour toute utilisation autre que celles indiquées dans les instructions d'utilisation.
3. Les risques occasionnés par le transport.
4. Les dommages résultant d'une utilisation non conforme de l'appareil.
5. Les dommages résultant d'une installation fautive de l'appareil.
6. Les réparations effectuées sur l'appareil par une personne qui

Sa

n'est pas un réparateur partenaire recommandé par Saunum (partenaire d'entretien).

7. Les accidents, la foudre, l'eau, les incendies, une ventilation insuffisante ou tout autre facteur hors du contrôle de Saunum.
8. Les dégâts causés par l'utilisation de pierres ou de boules de sel non recommandées par Saunum.
9. Les éléments chauffants et les boules de sel.

Vous trouverez la liste des professionnels assurant l'installation et l'entretien recommandés par Saunum sur le site internet de Saunum Saunas OÜ [www.saunum.com](http://www.saunum.com) ou en nous contactant à [info@saunum.com](mailto:info@saunum.com).

Les instructions d'entretien des appareils Saunum sont incluses dans les instructions d'utilisation.

**N.B. !** Le pilote hygrothermique du sauna ne peut être raccordé au secteur que par un professionnel qualifié et dans le respect des règles en vigueur.

Veillez lire soigneusement l'ensemble des instructions d'utilisation **avant d'utiliser l'appareil** et conserver ces instructions dans un endroit sûr et facilement accessible pour une consultation ultérieure.

Sa

## COMPTE-RENDU D'INSTALLATION

Date d'achat : \_\_\_\_\_

Type de poêle : \_\_\_\_\_

Sticker/Numéro de série :  Date d'installation : \_\_\_\_\_

Lieu d'installation : \_\_\_\_\_

Installé par : \_\_\_\_\_

Inspecté par : \_\_\_\_\_

Date, signature : \_\_\_\_\_

Description des travaux effectués : \_\_\_\_\_

Toutes les pièces nécessaires à l'installation sont présentes \_\_\_\_\_

Il n'y a pas de défauts de couleur ni d'entailles \_\_\_\_\_

Fixé au mur ou sur un support, conformément aux instructions \_\_\_\_\_

Les branchements électriques ont été effectués conformément aux instructions d'installation \_\_\_\_\_

Tous les éléments chauffants fonctionnent \_\_\_\_\_

Les trois vitesses du ventilateur fonctionnent/sont dans le bon ordre \_\_\_\_\_

Remarques : \_\_\_\_\_

Coordonnées du client (nom, adresse e-mail) : \_\_\_\_\_

Acceptation/Réception des travaux : \_\_\_\_\_



Déclaration de conformité CE

Fabricant : Saunum Saunas OÜ  
Adresse : Suur-Paala 19  
11415 Tallinn, Estonie

certifie que le produit :

## Poêle de sauna avec pilote hygrothermique Saunum Premium

remplit toutes les exigences des directives suivantes du Conseil européen, sous réserve que l'installation ait été effectuée en respectant les instructions d'installation émises par le fabricant de l'équipement, ainsi que celles de la norme EN 60204-1 « Sécurité des machines. Équipements électriques des machines – Partie 1 : Exigences générales » :

Directive Machines 2006/42/CE

Directive Basse tension 2014/35/UE

Directive Compatibilité électromagnétique 2014/30/UE.



# Saunum

Riscaldatore per locale sauna con dispositivo di climatizzazione

## Saunum Premium



Sa

## LA MIGLIORE ESPERIENZA IN SAUNA



**G**razie per aver investito in questo apparecchio Saunum: sono certo che la nostra tecnologia innovativa sarà in grado di offrire un'esperienza in sauna meravigliosa e straordinaria.

Sono laureato in ingegneria termica e sono originario dell'Estonia Meridionale dove è nata la mia passione per la sauna. Le tradizionali "saune di fumo" locali hanno due caratteristiche particolari: la bassa temperatura e un elevato livello di umidità, che le distinguono, ad esempio, dalla classica sauna finlandese. Nelle saune normali, le pietre usate nella stufa sono generalmente piccole. Questa soluzione può generare un vapore caldissimo improvviso e una temperatura estremamente irregolare, per cui all'altezza della testa e delle spalle fa molto caldo, mentre i piedi rimangono freddi. L'esperienza può essere abbastanza spiacevole e provocare mal di testa e stress corporeo. Nelle antiche "saune di fumo" e nelle saune degli Indiani d'America, le pietre venivano preriscaldate durante la giornata. In seguito, il calore immagazzinato nelle pietre veniva usato per purificare il corpo, e l'esperienza era davvero piacevole.

Traendo spunto dalla "sauna di fumo", ho voluto creare una soluzione innovativa che abbinasse il meglio della sauna autentica alla tecnologia moderna, per un'esperienza gradevolmente delicata e rilassante, senza vapore rovente. Per arrivare a questo, ho dovuto risolvere il problema di come ottenere una temperatura uniforme a livello della testa e dei piedi. La mia attività di sviluppo è stata supportata dalla ricerca in collaborazione con il Politecnico di Tallinn, dove

Sa

abbiamo analizzato la stratificazione termica e il movimento dell'aria nell'ambiente della sauna. Saunum è nata dalla collaborazione tra pensiero scientifico e innovazione tecnologica.

L'esclusivo sistema brevettato per la miscelazione di strati d'aria cattura il vapore caldo che sale sotto il soffitto del locale sauna, lo miscela con l'aria più fredda che si raccoglie sulla superficie del pavimento e ridistribuisce il vapore meno caldo in modo uniforme. Così il calore diventa piacevole e per nulla aggressivo. È possibile rimanere nella sauna per un periodo di tempo più lungo, senza avvertire stanchezza, e con una sudorazione e una purificazione profonde. Rispetto alle altre stufe, le pietre che utilizziamo sono di dimensioni molto più grandi e contribuiscono a rendere il clima particolarmente piacevole, con un vapore persistente e delicato.

Sugli apparecchi Saunum sono disponibili le funzioni sauna con vapore umido, sanarium, sauna terapeutica al sale o sauna aromatica, per un'esperienza davvero rilassante. Quando nell'apparecchio si utilizzano le sfere di sale dell'Himalaya, il vapore fa circolare gli ioni emessi dal sale che apportano grandi benefici alla pelle e alle vie respiratorie. L'aggiunta di un apposito sistema per l'aromaterapia, che miscela il vapore e un olio aromatico salutare, crea un ambiente ancora più piacevole.

Gli apparecchi per sauna di Saunum sono adatti ad adulti e bambini.

**Buona sauna a tutti!**

Andrus Vare  
Ideatore di Saunum



Saunum **si congratula con voi**  
per aver scelto un riscaldatore con  
un dispositivo di climatizzazione  
innovativo Saunum.



## SOMMARIO

Informazioni sulla sicurezza .....	212
<b>ISTRUZIONI PER L'USO</b>	
Riscaldamento del locale sauna .....	214
Uso del dispositivo di climatizzazione per sauna .....	214
Regolazione della temperatura .....	215
Regolazione del clima nella sauna .....	215
Uso delle sfere di sale dell'Himalaya .....	216
Generazione di vapore .....	216
Avvertenze .....	216
Risoluzione dei problemi .....	217
Caricamento delle pietre .....	219
Uso del dispositivo di climatizzazione per sauna .....	220
Locale sauna .....	221
Ventilazione del locale sauna .....	221
Potenza del riscaldatore .....	222
<b>INSTALLAZIONE</b>	
Prima dell'installazione .....	224
Supporto a pavimento del riscaldatore .....	225
Dimensioni .....	226
Prodotto completo .....	228
Parti del dispositivo .....	229
Istruzioni di installazione .....	230
Collegamenti elettrici .....	237
Installazione e sostituzione degli elementi riscaldanti .....	241
Garanzia .....	243
<b>Scheda di installazione</b> .....	<b>245</b>

Sa

## INFORMAZIONI SULLA SICUREZZA

Queste istruzioni per l'installazione e l'uso sono destinate al proprietario o al manutentore della sauna, nonché all'elettricista responsabile dell'installazione del riscaldatore con dispositivo di climatizzazione per locali sauna. Dopo aver installato il riscaldatore con un dispositivo di climatizzazione, le istruzioni devono essere consegnate al proprietario o al manutentore.

Prima di utilizzare il riscaldatore **Saunum Premium** con un dispositivo di climatizzazione (di seguito denominato "dispositivo di climatizzazione per sauna"), leggere le istruzioni per l'installazione e la sicurezza.

Il dispositivo di climatizzazione per sauna è progettato per riscaldare il locale sauna tra i 60 e i 100 °C e per uniformare il clima del locale durante una sessione di sauna.

**N.B.: il dispositivo di climatizzazione per sauna e il riscaldatore non devono essere azionati a temperature superiori a 100 °C.**

**N.B.: il dispositivo di climatizzazione per sauna Saunum Premium è progettato per essere utilizzato con l'unità di controllo LEIL a temperature fino a 100 °C.**

**N.B.: se il dispositivo di climatizzazione per sauna Saunum Premium viene utilizzato con unità di controllo di altri produttori, la temperatura non deve superare i 90 °C.**

**N.B.: questo manuale riguarda esclusivamente le saune per uso privato. Per le saune pubbliche si applicano condizioni speciali che devono essere specificate con il produttore.**

**N.B.: il produttore non è responsabile per l'uso scorretto del dispositivo.**

Sa

**N.B.: non utilizzare il dispositivo di climatizzazione per sauna per destinazioni d'uso diverse.**

**N.B.: per collegare il dispositivo di climatizzazione per sauna alla rete elettrica, è necessario un dispositivo di controllo per la regolazione dei riscaldatori elettrici. Il dispositivo di controllo deve corrispondere alla potenza del riscaldatore in uso, secondo la Tabella 1.**

Il dispositivo di controllo deve consentire di controllare il ventilatore del dispositivo di climatizzazione per sauna e deve preferibilmente disporre della funzione per spegnere simultaneamente il riscaldatore e il ventilatore.

**Per garantire la durata del dispositivo, assicurarsi che la temperatura del locale sauna in corrispondenza della parte inferiore del dispositivo non superi gli 80 °C.** Se questa temperatura viene superata,

si attiva la protezione termica e il ventilatore si ferma; ricomincerà a funzionare solo quando la temperatura scenderà al di sotto del limite di attivazione del fusibile.

Il fabbricante non è responsabile di eventuali malfunzionamenti del dispositivo causati dal superamento della temperatura di esercizio ammessa.

Tabella 1.

DISPOSITIVO	POTENZA	PROTEZIONE trifase	CAVO DI ALIMENTAZIONE mm <sup>2</sup>		Altezza minima del soffitto	Distanza di sicurezza minima dal riscaldatore	Volume cubico del locale sauna m <sup>3</sup>
			trifase	Monofase/ventilatore			
Saunum Premium	6 kW	C10	5 x 2,5	5 x 0,75*	200 cm	50 mm dai lati, 75 mm dalla parte anteriore, altezza dal soffitto 1000 mm (dalle pietre)	5-8
Saunum Premium	9 kW	C16	5 x 2,5	5 x 0,75*	200 cm	50 mm dai lati, 100 mm dalla parte anteriore, altezza dal soffitto 1000 mm (dalle pietre)	9-12

\* Con unità di controllo Saunum min 5 x 0,75 mm<sup>2</sup> / con altre unità di controllo 3 x 1,5 mm<sup>2</sup>

**N.B.:** la temperatura massima all'altezza del sensore di temperatura dell'unità di controllo (oltre 30 cm dal riscaldatore e 5 cm dal soffitto) è 100 °C.

Sa

## RISCALDAMENTO DEL LOCALE SAUNA

Prima di utilizzare il dispositivo di climatizzazione per sauna per la prima volta, assicurarsi che:

- I collegamenti elettrici soddisfino i requisiti.
- La tensione di alimentazione corrisponda ai valori nominali consentiti per il dispositivo di climatizzazione per sauna.
- La messa a terra di protezione funzioni correttamente.
- I fissaggi dell'alloggiamento del dispositivo di climatizzazione per sauna siano in regola.
- Il dispositivo di climatizzazione per sauna sia fissato correttamente alla parete e la parete sia in grado di sostenere il peso combinato del dispositivo e delle pietre.
- I fusibili di sovracorrente funzionino correttamente.
- Il rotore del ventilatore giri senza ostacoli.
- Dopo l'installazione, non siano rimasti strumenti o materiali all'interno dell'alloggiamento del dispositivo.

Quando si accende il dispositivo di climatizzazione per sauna, controllare:

- La direzione del flusso d'aria. L'aria deve essere aspirata dall'apertura superiore e scaricata da quella inferiore.

- Che non vi siano vibrazioni o rumori troppo forti quando il ventilatore è in funzione.

Quando si accende il dispositivo di climatizzazione per sauna per la prima volta, il riscaldatore e le pietre emetteranno un odore; per eliminarlo, il locale sauna deve essere adeguatamente ventilato.

Se la potenza del riscaldatore è adatta alle dimensioni del locale sauna, in un locale correttamente isolato occorreranno dai 45 ai 90 minuti per raggiungere la temperatura desiderata. Le pietre di solito raggiungono la temperatura del vapore alla stessa velocità del locale sauna.

Accendere il ventilatore del dispositivo solo immediatamente prima di entrare nella sauna; questo accorgimento aiuterà a prevenire il surriscaldamento della panca della sauna e un consumo eccessivo di energia. **La temperatura consigliata da Saunum per fare la sauna è compresa tra 65 °C e 80 °C.**

## USO DEL DISPOSITIVO DI CLIMATIZZAZIONE PER SAUNA

**N.B.:** prima di accendere il dispositivo di climatizzazione per sauna, controllare sempre che non ci sia nulla sopra o vicino al dispositivo.

Sa

Il tempo di funzionamento del dispositivo di climatizzazione per sauna **Saunum Premium** può essere regolato tramite un dispositivo di controllo separato.

- Non collegare il dispositivo direttamente alla rete elettrica.
- Il dispositivo di climatizzazione per sauna non deve essere utilizzato se i componenti del suo alloggiamento sono stati rimossi e/o se è stato modificato lo schema elettrico.
- Tenere il dispositivo di climatizzazione per sauna sempre fuori dalla portata dei bambini.
- Quando si accende e si spegne il dispositivo di climatizzazione per sauna, attenersi alle istruzioni per l'uso del dispositivo di controllo che si utilizza.

**N.B.:** dopo aver utilizzato la sauna, assicurarsi che tutte le parti del dispositivo di climatizzazione per sauna siano spente, che il dispositivo abbia smesso di riscaldare e che il ventilatore si sia fermato.

## REGOLAZIONE DELLA TEMPERATURA

**N.B.:** si consiglia di mantenere spento il ventilatore del dispositivo di climatizzazione per sauna durante la fase di riscaldamento del locale sauna.

In questo modo, il locale si riscalda più velocemente e la panca della sauna non

si surriscalda. Per trovare l'impostazione giusta, fare delle prove partendo dalla temperatura più bassa e dalla velocità del flusso d'aria più bassa. Se la temperatura diventa troppo alta mentre si usa la sauna, ridurre la temperatura massima del locale oppure la velocità del ventilatore del dispositivo di climatizzazione.

## REGOLAZIONE DEL CLIMA NELLA SAUNA

Il volume dell'aria in circolazione generato dal dispositivo è regolato da un interruttore situato in basso e al centro del lato anteriore del dispositivo. L'interruttore ha quattro posizioni e può essere ruotato sia in senso orario che in senso antiorario. Quando la linea dell'interruttore punta verso sinistra, il ventilatore del dispositivo di climatizzazione per sauna è spento.

**La velocità del flusso dell'aria** aumenta ruotando l'interruttore in senso orario; è possibile scegliere tra 3 diverse velocità. Per regolare la temperatura dell'aria nel locale sauna, usare l'unità di smorzamento per il raffreddamento dell'aria. Questa unità si trova sul lato sinistro della base della canna fumaria, dietro il contenitore delle pietre (vedere pagina 229). Si consiglia di mantenere aperta per 1/3 l'unità di smorzamento per il raffreddamento dell'aria. Per raffreddare il vapore, provare ad aprire l'unità poco a poco.

Sa

## USO DELLE SFERE DI SALE DELL'HIMALAYA

Il dispositivo di climatizzazione per sauna include delle sfere di sale dell'Himalaya. L'uso delle sfere nel dispositivo è facoltativo e non influisce sulla sua funzione principale.

Le sfere di sale devono essere sistemate nelle cavità tra la griglia di fuoriuscita dell'aria e la ventola. Assicurarsi che le sfere siano posizionate correttamente e che non impediscano la rotazione del ventilatore.

Per sistemare in posizione o rimuovere le sfere di sale, asportare il coperchio inferiore (vedere pagina 236) e collocare le sfere nelle cavità apposite. Dopo aver posizionato o rimosso le sfere di sale, rimettere in posizione la griglia. Il dispositivo di climatizzazione per sauna può essere utilizzato solo con la griglia di fuoriuscita dell'aria in posizione. Attenzione a non utilizzare/avviare il dispositivo se le sfere di sale entrano nell'alloggiamento del ventilatore.

**N.B.:** l'uso di sfere di sale di terze parti non è coperto dalla garanzia del dispositivo.

## GENERAZIONE DI VAPORE

L'aria nella sauna diventa secca man mano che si riscalda. Pertanto, è necessario creare vapore (gettando acqua sulle pietre) per ottenere un adeguato livello di umidità. Gli effetti del calore e del vapore variano da persona

a persona. Testando le diverse impostazioni del dispositivo di climatizzazione per sauna, è possibile trovare la combinazione di temperatura e umidità preferita.

**Il volume del mestolo per sauna non deve superare 0,2 l di liquido. La quantità di acqua versata sulle pietre non deve superare di volta in volta 0,2 litri di liquido poiché, con una quantità superiore, si rischiano spruzzi e schizzi di acqua bollente verso l'esterno..**

Assicurarsi che le persone si trovino a distanza di sicurezza dal riscaldatore quando si genera vapore. Il vapore e gli schizzi di acqua bollenti causano ustioni cutanee. L'acqua da versare sul riscaldatore deve soddisfare i requisiti in vigore per l'acqua pulita a uso domestico. Nell'acqua possono essere utilizzate solo le fragranze studiate appositamente per le saune. Attenersi alle istruzioni riportate sulla confezione.

**N.B.:** non versare acqua nelle aperture di ventilazione del dispositivo di climatizzazione per sauna.

## AVVERTENZE

- Una permanenza prolungata nella sauna aumenta la temperatura corporea e può comportare rischi per la salute.
- Non toccare il riscaldatore quando è caldo: le pietre e la superficie esterna del riscaldatore possono causare ustioni.

Sa

- Non permettere a bambini, persone con disabilità o patologie di entrare nella sauna senza supervisione.
- Consultare un medico in merito alle controindicazioni mediche al vapore.
- Consultare un medico in merito alle controindicazioni mediche all'haloterapia (terapia del sale).
- Assicurarsi di non essere allergici all'haloterapia. Saunum non è responsabile degli effetti collaterali causati dall'esposizione al sale.
- Consultare un pediatra o un medico sull'opportunità di consentire ai bambini di fare la sauna.
- Fare attenzione quando ci si muove nella sauna e nel locale sauna, in quanto la panca e il pavimento possono essere scivolosi.
- Non accedere alla sauna sotto l'effetto di alcol, medicinali o stupefacenti.
- Non dormire all'interno del locale sauna caldo.
- L'aria di mare e i climi umidi possono causare la formazione di uno strato di ossidazione (ruggine) sulle superfici metalliche del riscaldatore.
- Verificare che il locale sauna sia adeguatamente ventilato. Saunum non è responsabile della possibile corrosione salina di attrezzature e macchinari. Se necessario, consultare un tecnico specialista.
- Non appendere asciugamani e vestiti ad asciugare nel locale sauna per non creare un pericolo di incendio.
- L'umidità eccessiva può danneggiare le apparecchiature elettriche.
- Lasciare uno spazio libero di almeno 50 cm davanti all'apertura del ventilatore.
- Gli utenti della sauna devono fare attenzione a tenere i piedi o altre parti del corpo a una distanza minima di 50 cm dal ventilatore.

**N.B.:** per funzionare, il riscaldatore elettrico richiede un pannello di controllo e le pietre.

**N.B.:** non lasciare in funzione il ventilatore del dispositivo di climatizzazione per sauna quando non ci si trova nel locale sauna: ciò causerà un consumo di energia eccessivo e il surriscaldamento della panca.

## RISOLUZIONE DEI PROBLEMI

**N.B.:** affidare la manutenzione a un esperto qualificato in servizi di assistenza.

**In caso di anomalie nel funzionamento del dispositivo di climatizzazione per sauna, smettere immediatamente di utilizzarlo e farlo ispezionare da una persona autorizzata da Saunum.**

**IL DISPOSITIVO DI CLIMATIZZAZIONE PER SAUNA NON RISCALDA NÉ SOFFIA ARIA.**

- Assicurarsi che i fusibili del riscaldatore funzionino correttamente.

Sa

- Assicurarsi che il cavo di connessione sia collegato.
- Assicurarsi che il dispositivo di climatizzazione per sauna sia acceso.
- Aumentare la temperatura massima nel locale sauna.

#### **IL LOCALE SAUNA SI RISCALDA LENTAMENTE. L'ACQUA VERSATA SULLE PIETRE LE RAFFREDDA VELOCEMENTE.**

- Assicurarsi che il ventilatore per la circolazione dell'aria del dispositivo di climatizzazione per sauna sia spento durante il riscaldamento.
- Assicurarsi che i fusibili del dispositivo di climatizzazione funzionino correttamente.
- Assicurarsi che tutti gli elementi riscaldanti siano evidentemente caldi (incandescenti) quando il dispositivo di climatizzazione per sauna è in funzione.
- Aumentare la temperatura selezionata sul dispositivo di controllo.
- Assicurarsi che la potenza del riscaldatore sia sufficiente.
- Controllare le pietre. Se le pietre sono posizionate troppo vicine l'una all'altra (con il rischio che nel tempo cadano/collassino) oppure l'uso di pietre di tipo sbagliato possono interferire con il flusso d'aria che attraversa il riscaldatore e ridurre così la velocità di riscaldamento.
- Assicurarsi che la ventilazione del locale sauna sia corretta.

#### **IL LOCALE SAUNA SI RISCALDA VELOCEMENTE, MA LA TEMPERATURA DELLE PIETRE È INSUFFICIENTE. L'ACQUA VERSATA SULLE PIETRE SCORRE VERSO IL BASSO.**

- Assicurarsi che la potenza del riscaldatore non sia troppo elevata. Se la potenza del riscaldatore è adatta alle dimensioni del locale sauna, in un locale correttamente isolato occorreranno dai 45 ai 90 minuti per raggiungere la temperatura desiderata.
- Assicurarsi che la ventilazione del locale sauna sia corretta.
- Ridurre la velocità del ventilatore del dispositivo di climatizzazione.

#### **IL RIVESTIMENTO DELLE PARETI O ALTRO MATERIALE VICINO AL RISCALDATORE SI ANNERISCE RAPIDAMENTE.**

- Rispettare i requisiti per la distanza di sicurezza.
- Controllare le pietre. Se le pietre sono posizionate troppo vicine l'una all'altra (con il rischio che nel tempo cadano/collassino) oppure l'uso di pietre di tipo sbagliato possono interferire con il flusso d'aria che attraversa il riscaldatore e ridurre così la velocità di riscaldamento.
- Assicurarsi che tra le pietre non siano visibili gli elementi riscaldanti. Se gli elementi riscaldanti sono visibili, alzare le pietre raffreddate in modo che gli elementi riscaldanti siano completamente coperti.

Sa

**N.B.:** se le pietre sono troppo lontane le une dalle altre, gli elementi riscaldanti si surriscaldano, finendo per rovinare il clima interno del locale sauna. Questo può causare un pericolo di incendio.

#### **LE SUPERFICI IN LEGNO DEL LOCALE SAUNA SI ANNERISCONO COL TEMPO.**

Questo processo può essere accelerato da:

- Luce solare.
- Calore generato dal riscaldatore.
- Protezioni delle pareti (i dispositivi di protezione hanno una scarsa resistenza al calore).
- Particelle fini provenienti dalle pietre.

#### **IL RISCALDATORE EMETTE UN CATTIVO ODORE.**

- Vedere la sezione RISCALDAMENTO DEL LOCALE SAUNA a pagina 214.
- Un riscaldatore caldo può intensificare gli odori presenti nell'aria, ma questi non sono causati dalla sauna o dal riscaldatore. Le cause possono essere vernice, colla, olio, spezie, ecc.

#### **IL DISPOSITIVO DI CLIMATIZZAZIONE PER SAUNA EMETTE RUMORE.**

- Quando è in funzione, il ventilatore fa sempre un determinato rumore. Se il rumore non è uniforme e/o è accompagnato da un suono metallico, è probabile che il ventilatore richieda un intervento di manutenzione o riparazione. Verificare che

non vi siano corpi estranei nelle prese d'aria del ventilatore.

- Provare a impostare il ventilatore a una velocità inferiore.
- Eventuali rumori forti sono probabilmente causati dalle pietre che si spaccano a causa del calore.
- L'espansione termica delle parti del riscaldatore può causare rumori quando la temperatura del riscaldatore aumenta.

### **CARICAMENTO DELLE PIETRE**

Il modo in cui vengono impilate le pietre influisce sensibilmente sul funzionamento del riscaldatore.

#### **È importante ricordare che:**

- Il diametro delle pietre deve essere di 5-10 cm.
- Solo le pietre vendute specificamente per le saune sono destinate all'uso nei riscaldatori.
- Non utilizzare nel riscaldatore "pietre" di ceramica leggera e porose né piastrelle per pavimentazione che non generano calore sufficiente e possono danneggiare gli elementi riscaldanti.
- Lavare via la polvere dalle pietre prima di collocarle nel riscaldatore.

**N.B.:** nei dispositivi Saunum è indispensabile utilizzare sempre pietre da sauna

Sa

levigate di alta qualità. Pietre rotte e con gli spigoli vivi possono danneggiare gli elementi riscaldanti e ridurre la durata di vita.

Quando si caricano le pietre, fare attenzione a quanto segue:

- Non far cadere le pietre nel riscaldatore.
- Non forzare le pietre tra gli elementi riscaldanti, per evitare di deformarli.
- Non lasciare che il peso delle pietre gravi sugli elementi riscaldanti, ma disporle in modo che si sostengano a vicenda.
- Non impilare le pietre sul riscaldatore.
- Non collocare nelle vicinanze del contenitore delle pietre o del ventilatore del dispositivo di climatizzazione per sauna alcun oggetto che possa modificare la quantità o la direzione dell'aria che passa attraverso il dispositivo di climatizzazione per sauna.

## MANUTENZIONE DEL DISPOSITIVO DI CLIMATIZZAZIONE PER SAUNA

A causa dei grandi sbalzi di temperatura, le pietre tendono a rompersi. Le pietre devono essere sostituite almeno una volta all'anno e anche con maggiore frequenza se la sauna viene usata spesso. Durante la sostituzione (che va eseguita a freddo), rimuovere i frammenti di pietra dal fondo del

riscaldatore e sostituire le pietre rotte con pietre nuove. In questo modo la capacità di riscaldamento del riscaldatore rimane ottimale e si evita il rischio di surriscaldamento.

Se nel dispositivo di climatizzazione per sauna si utilizzano sfere di sale dell'Himalaya, si consiglia di ispezionarle una volta all'anno e, se necessario, di sostituire quelle usurate e rotte con sfere nuove. Accertarsi che non vi siano corpi estranei all'interno delle prese d'aria del ventilatore del dispositivo di climatizzazione per sauna.

**ATTENZIONE!** Prima di eseguire la manutenzione e la pulizia del dispositivo di climatizzazione per sauna, è necessario scollegare l'alimentazione del dispositivo dalla rete elettrica e attendere che le parti mobili del dispositivo si siano completamente fermate.

Prima di eseguire la manutenzione e la pulizia del dispositivo di climatizzazione per sauna, assicurarsi che:

- Il dispositivo sia scollegato dalla rete elettrica (oltre che dall'interruttore di alimentazione del dispositivo, anche dai fusibili di sovracorrente).
- Il ventilatore sia completamente fermo.
- L'intervento sia svolto utilizzando i dispositivi di sicurezza e di protezione personale previsti.
- I cavi di connessione non siano danneggiati. In caso di danni ai cavi di connessione, prima di proseguire l'intervento di manutenzione e puli-

zia farli sostituire da un elettricista qualificato in conformità alle norme e i requisiti applicabili.

L'alloggiamento del dispositivo può essere pulito con un panno umido. Non utilizzare idropulitrici, acqua corrente, detergenti chimici o solventi per pulire l'alloggiamento.

Per rimuovere il calcare, utilizzare una soluzione di acido citrico al 10% e quindi sciacquare con acqua.

Lo sporco eccessivo può sbilanciare il rotore del ventilatore, causando un aumento del rumore durante il funzionamento del dispositivo di climatizzazione per sauna. Il rumore può aumentare anche in caso di danni/deformazioni delle pale del ventilatore. Assicurarsi che non vi siano corpi estranei o sfere di sale nel raggio di azione del rotore del ventilatore.

In genere, il ventilatore non ha bisogno di essere pulito più di una volta all'anno. La pulizia deve essere affidata esclusivamente a una persona autorizzata da Saunum.

L'uso di aria compressa per pulire il ventilatore può danneggiarne in modo permanente il rotore.

I cuscinetti del ventilatore non richiedono manutenzione e devono essere sostituiti in caso di problemi.

Si consiglia di far controllare tutti i collegamenti elettrici del dispositivo di climatizzazione per sauna almeno una volta all'anno. Questa operazione può essere eseguita solo da una persona qualificata.

Sa

## LOCALE SAUNA

L'installazione del dispositivo di climatizzazione per sauna richiede un locale adeguatamente preparato. Pareti e soffitti devono essere provvisti di adeguato isolamento termico, altrimenti il riscaldamento del locale richiederà tempo ed energia eccessivi. I cavi di alimentazione del riscaldatore e del ventilatore devono essere collegati al quadro elettrico secondo la Tabella 1 (vedere pagine 212–213).

## VENTILAZIONE DEL LOCALE SAUNA

L'aria nel locale sauna deve essere cambiata almeno sei volte all'ora.

Se si utilizza un estrattore d'aria meccanico, posizionare l'ingresso dell'aria sopra il dispositivo di climatizzazione per sauna. Se, invece, l'aria viene estratta naturalmente, posizionare l'ingresso dell'aria sotto o accanto al dispositivo di climatizzazione per sauna. Il tubo di ingresso dell'aria deve avere un diametro compreso tra 80 e 100 mm.

La presa dell'aria deve trovarsi vicino al pavimento, il più lontano possibile dal dispositivo di climatizzazione per sauna. Il diametro del tubo di estrazione dell'aria deve essere pari al doppio del diametro del tubo di ingresso dell'aria. Se la presa dell'aria si trova nel bagno, sotto la porta del locale sauna deve esserci uno spazio di almeno 100 mm.

Sa

**Nel locale sauna è obbligatoria la ventilazione a estrazione.**

Il foro di sfiationo per l'asciugatura (opzionale) deve essere posizionato sul soffitto vicino alla parete opposta al dispositivo di climatizzazione per sauna (e va chiuso durante il riscaldamento e mentre si utilizza la sauna). La sauna può essere asciugata anche lasciando la porta aperta dopo l'uso.

Preferibilmente, il sistema di ventilazione della sauna dovrebbe impedire all'aria di scarico della sauna di penetrare in altri ambienti, soprattutto se il dispositivo di climatizzazione per sauna viene utilizzato con le sfere di sale.

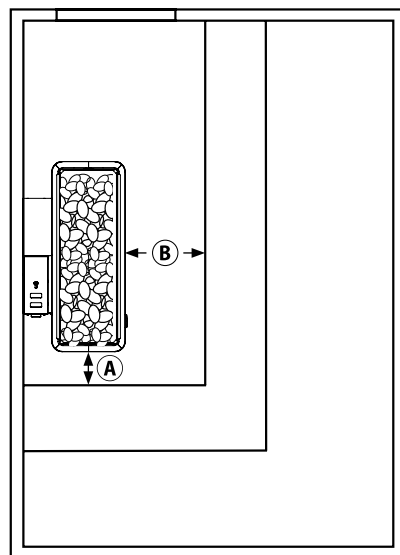
**POTENZA  
DEL RISCALDATORE**

Se dietro i rivestimenti delle pareti e del soffitto l'isolamento è sufficiente, la potenza del riscaldatore è determinata dal volume del locale sauna, ovvero 1 kW per ogni m<sup>3</sup>. Le pareti non isolate (mattoni, blocchi di vetro, cemento, piastrelle per pavimenti, ecc.) richiedono un riscaldatore più potente. Aggiungere 1,2 m<sup>3</sup> al volume del locale sauna per ogni metro quadrato di parete non isolata.

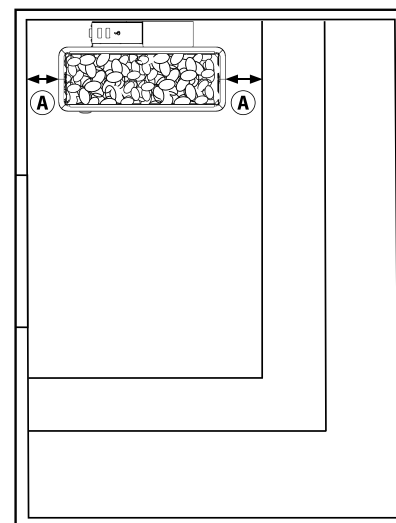
**Ad esempio**, un locale sauna di 10 m<sup>3</sup> con una porta vetrata ha requisiti pari a un locale sauna di 12 m<sup>3</sup>. Se le pareti del locale sauna sono rivestite di doghe di legno, moltiplicare il volume per 1,5. Le

dimensioni ottimali del locale sauna per il dispositivo di climatizzazione per sauna Saunum Premium sono riportate nella Tabella 1 (vedere pagine 212-213). L'altezza del locale sauna di solito è compresa tra 2.100 mm e 2.300 mm.

L'altezza minima da rispettare per l'installazione del dispositivo di climatizzazione per Saunum Premium è di 2000 mm.

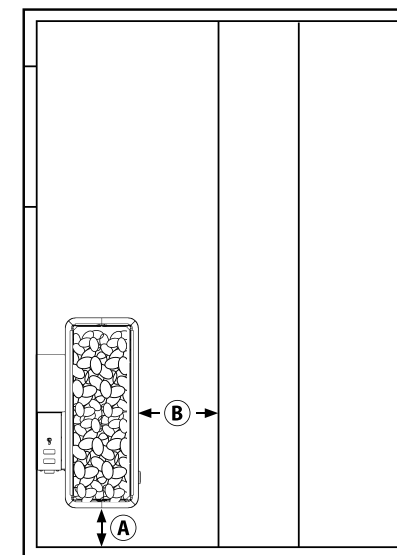
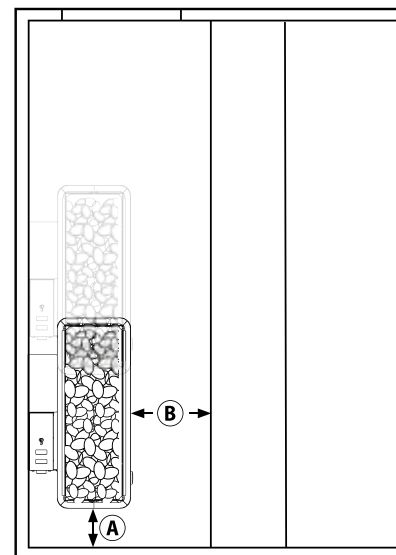
**Distanze di sicurezza del dispositivo Saunum Premium e posizione consigliata nel locale sauna.**

Sa



- Saunum Premium 6 kW – A > 50 mm e B > 75 mm
- Saunum Premium 9 kW – A > 50 mm e B > 100 mm

**Il dispositivo può essere posizionato con la parte posteriore posta contro il rivestimento della parete del locale sauna.**





Sa

## PRIMA DELL'INSTALLAZIONE

L'installazione del dispositivo di climatizzazione per sauna deve essere eseguita da un elettricista qualificato. Il collegamento del dispositivo deve essere effettuato in un modo permanente con un cavo che soddisfi le condizioni di temperatura. La messa a terra di protezione deve essere collegata al morsetto di connessione del dispositivo, con un cavo che abbia una sezione minima di 2,5 mm<sup>2</sup>. L'alimentazione deve avvenire tramite il circuito di alimentazione del dispositivo di controllo, protetto da fusibili di sovracorrente. Le dimensioni dei fusibili di sovracorrente e del cavo di collegamento sono riportate nella Tabella 1 (vedere pagine 212-213).

Per il comando del dispositivo di controllo della climatizzazione per saune è possibile utilizzare qualsiasi dispositivo di controllo certificato, che abbia una capacità di funzionamento corrispondente a quella del modello Saunum Premium in uso, come indicato nella Tabella 1 (vedere pagine 212-213).

**Prima di cominciare l'installazione, leggere le istruzioni di installazione e attenersi a quanto segue:**

- La potenza e il tipo di riscaldatore devono essere adatti allo specifico locale sauna. Il volume consigliato del locale sauna è indicato nella Tabella 1 (vedere pagine 212-213).

- La tensione di alimentazione deve essere adatta per il dispositivo di climatizzazione per sauna.
- Nel luogo di installazione del dispositivo di climatizzazione per sauna devono essere garantite le distanze di sicurezza minime riportate nella Tabella 1 (vedere pagine 212-213), misurate dall'alloggiamento del riscaldatore.
- Le dimensioni dei modelli (montati a parete e con supporto a pavimento) sono riportate a pagina 226 (DIMENSIONI).
- È inoltre necessario assicurarsi che il bordo superiore dello scarico del ventilatore si trovi più in basso rispetto al bordo inferiore della panca.
- Non devono esserci ostruzioni davanti alla presa d'aria dal dispositivo, e l'aria di scarico deve poter fluire liberamente nel locale sauna.
- Il dispositivo funziona in modo più efficiente quando il coperchio della canna fumaria è installato sul soffitto del locale sauna e l'aria di scarico viene soffiata sotto la panca.

In ogni caso il dispositivo deve essere posizionato in modo che il bordo superiore del riscaldatore non si trovi mai a un'altezza superiore a 80 cm dal pavimento. Il dispositivo è progettato per il fissaggio a parete con viti da 6 mm (parte inferiore) e 5 mm (coperchio della canna fumaria). **La parete del luogo di installazione del dispositivo di climatizzazione per sauna deve**

Sa

**sopportare un peso di almeno 130 kg.** La tipologia degli ancoraggi deve essere scelta in base alle caratteristiche della struttura portante. Il metodo di montaggio deve garantire che il dispositivo rimanga saldamente fisso alla parete.

**Le distanze di sicurezza devono essere rispettate imperativamente poiché il mancato rispetto di tali indicazioni può comportare un rischio di incendio. Nel locale sauna può essere installato un solo dispositivo di climatizzazione per sauna.**

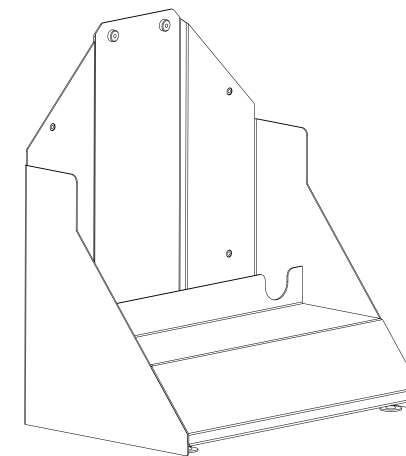
## SUPPORTO A PAVIMENTO DEL RISCALDATORE

Nei casi in cui non è possibile fissare il Saunum Premium alla parete (ad esempio, la parete non può sopportare il peso del riscaldatore più le pietre o il dispositivo dovrebbe essere montato contro una parete vetrata), è possibile utilizzare uno speciale supporto a pavimento (vedere ISTRUZIONI DI INSTALLAZIONE, pagina 232). Il supporto a pavimento non è compreso nel set standard e deve essere ordinato separatamente presso il rivenditore.

L'apparecchio con supporto a pavimento non è destinato all'uso indipendente al centro di un locale e non deve essere utilizzato in tal modo. Il supporto a pavimento deve essere collocato su un pavimento piano con

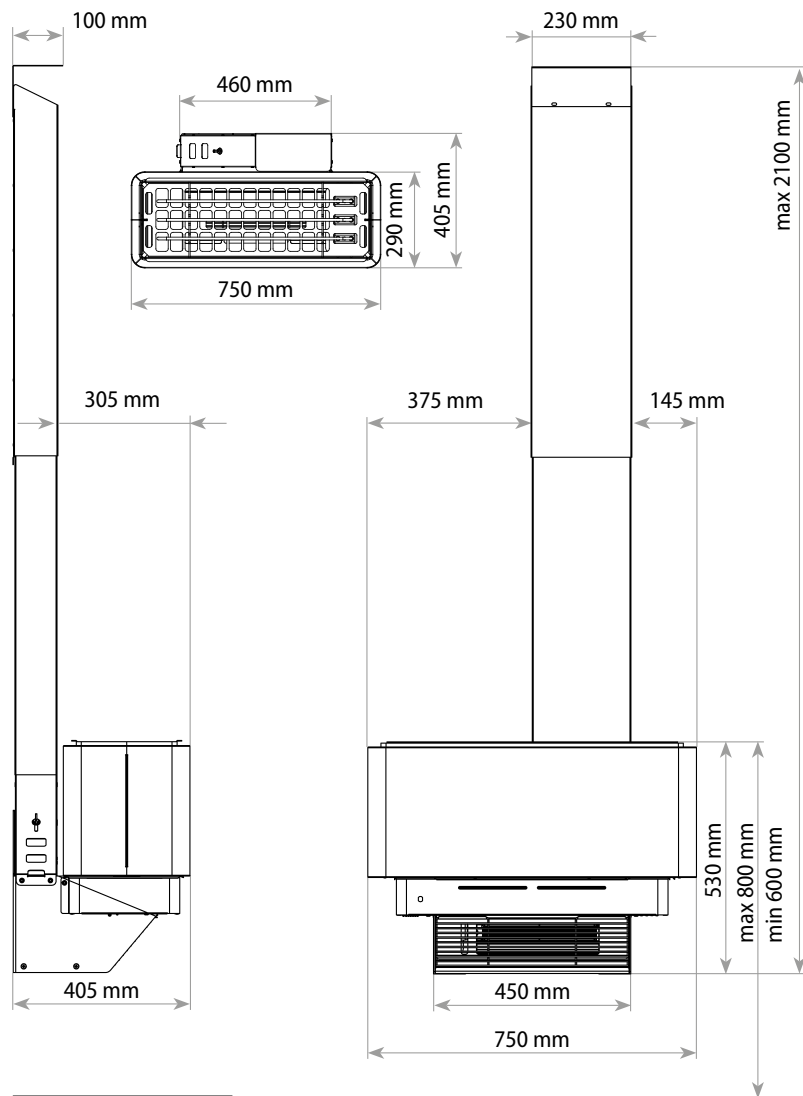
la parte posteriore contro la parete e ancorato saldamente ad essa. I piedini devono essere regolati in modo che il dispositivo sia in piano.

Si consiglia di utilizzare il dispositivo di climatizzazione per sauna con protezioni di sicurezza per evitare bruciature dovute al contatto con il riscaldatore. Se il supporto non può essere ancorato alla parete con le viti (ad esempio se è presente una parete in vetro), le protezioni sono obbligatorie.



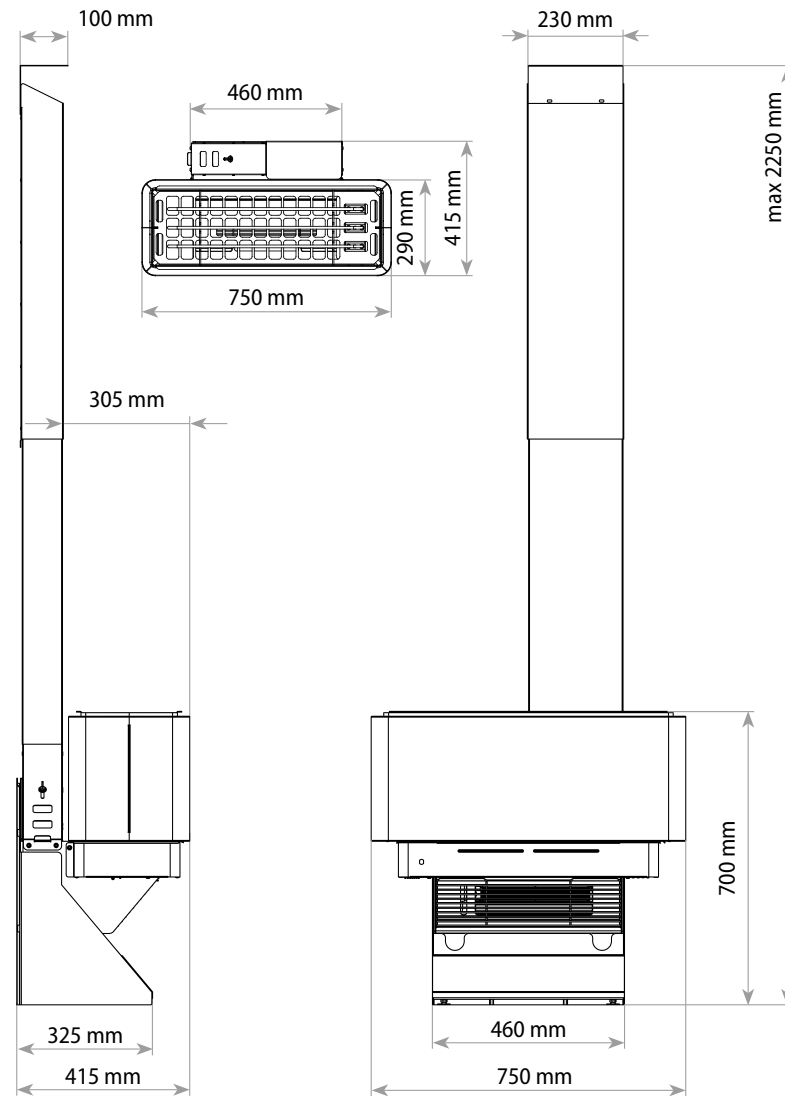
Sa

## Saunum Premium



Sa

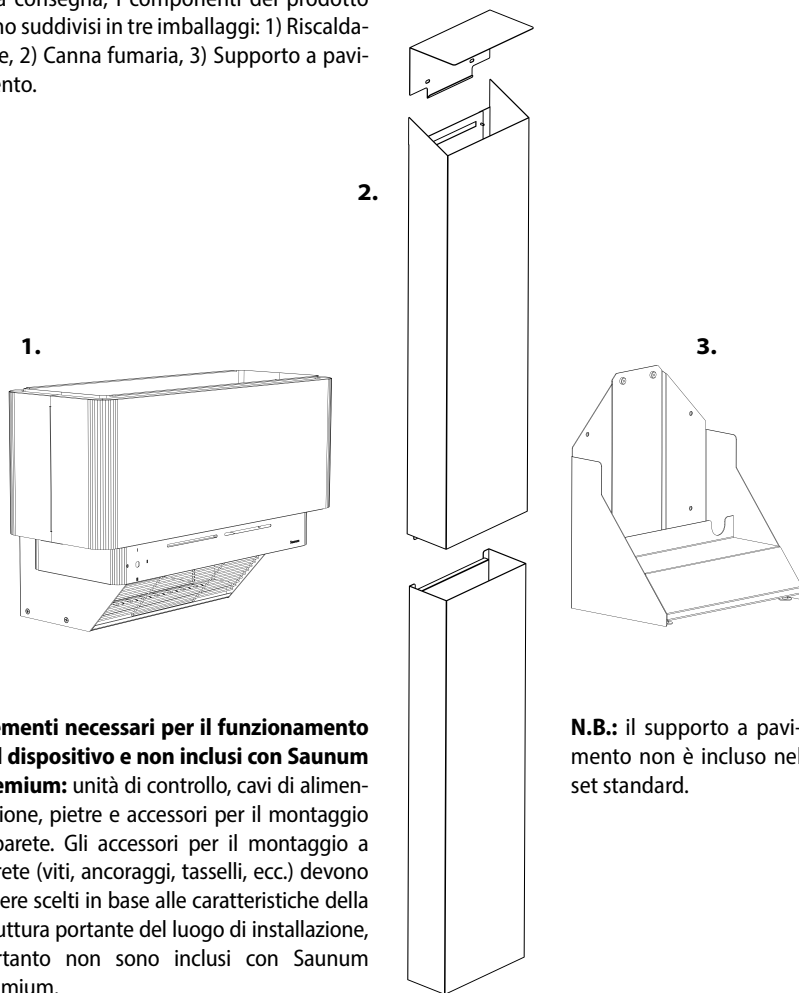
## Saunum Premium con supporto a pavimento (opzionale)



Sa

**PRODOTTO COMPLETO**

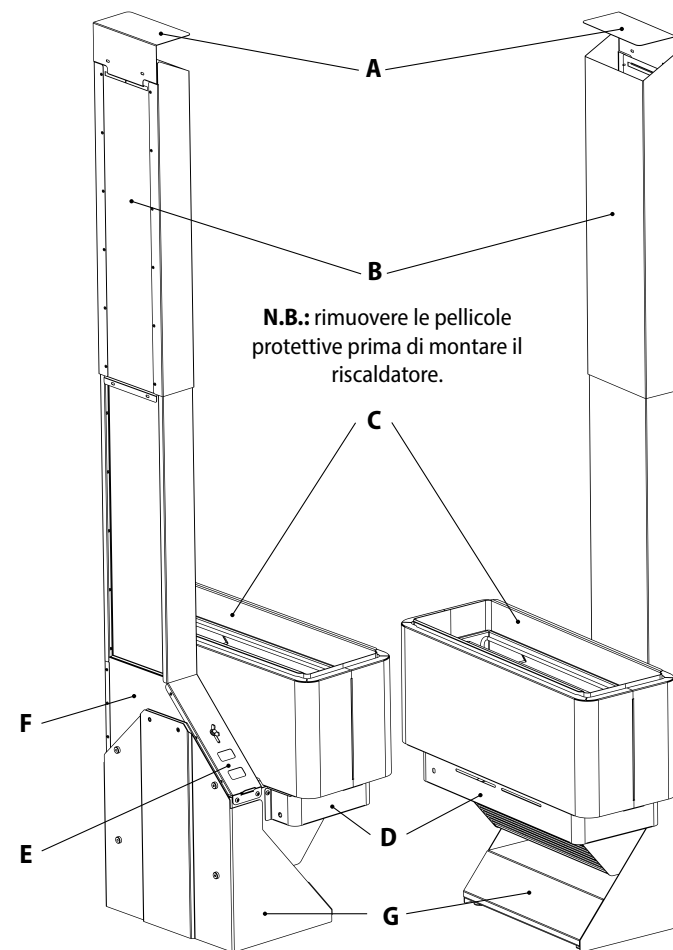
Alla consegna, i componenti del prodotto sono suddivisi in tre imballaggi: 1) Riscaldatore, 2) Canna fumaria, 3) Supporto a pavimento.



**Elementi necessari per il funzionamento del dispositivo e non inclusi con Saunum Premium:** unità di controllo, cavi di alimentazione, pietre e accessori per il montaggio a parete. Gli accessori per il montaggio a parete (viti, ancoraggi, tasselli, ecc.) devono essere scelti in base alle caratteristiche della struttura portante del luogo di installazione, pertanto non sono inclusi con Saunum Premium.

**N.B.:** il supporto a pavimento non è incluso nel set standard.

Sa



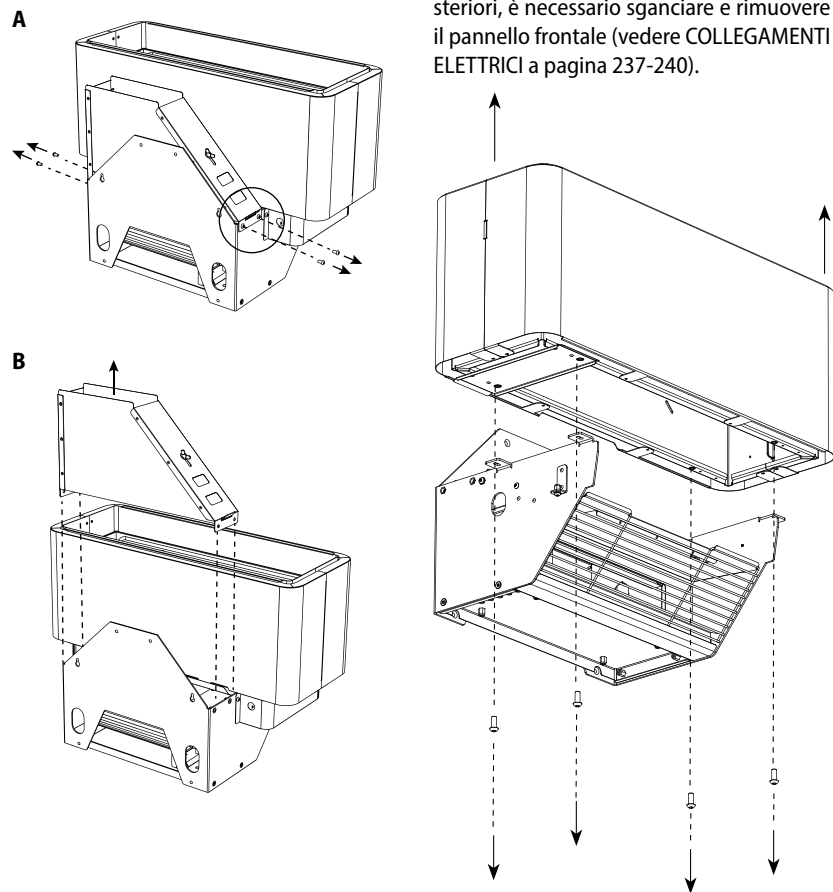
**N.B.:** rimuovere le pellicole protettive prima di montare il riscaldatore.

- |  |   |
|--|---|
| <b>A</b> – Coperchio della canna fumaria | <b>E</b> – Unità di smorzamento per raffreddare il vapore |
| <b>B</b> – Canna fumaria telescopica     | <b>F</b> – Base della canna fumaria                       |
| <b>C</b> – Contenitore delle pietre      | <b>G</b> – Supporto a pavimento (opzionale)               |
| <b>D</b> – Pannello anteriore            |   |

Sa

## MONTAGGIO A PARETE

1. Allentare i quattro bulloni di fissaggio (A) che fermano la base della canna fumaria e sollevarla (B).

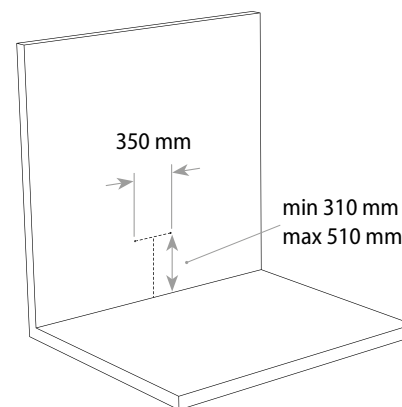
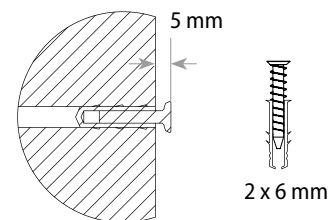


2. Separare il contenitore delle pietre dal modulo principale. Se il contenitore delle pietre è già imbullonato al modulo principale, allentare i bulloni (4) sul fondo del contenitore, quindi sollevare il modulo delle pietre. Per accedere ai bulloni posteriori, è necessario sganciare e rimuovere il pannello frontale (vedere COLLEGAMENTI ELETTRICI a pagina 237-240).

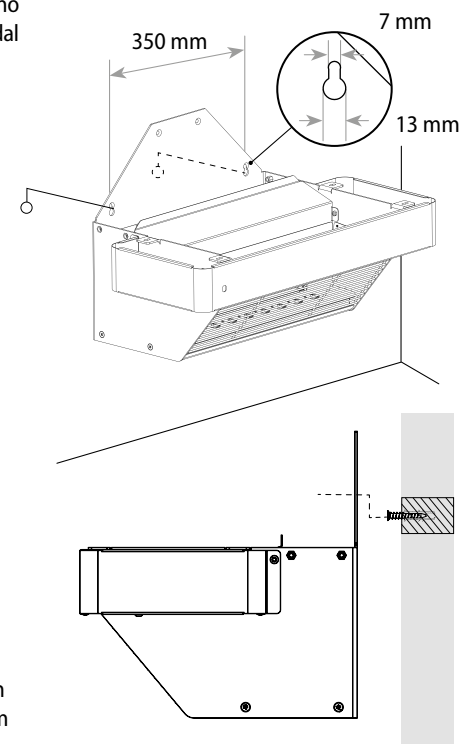
Sa

3. Serrare le viti per i fori centrali del dispositivo di montaggio a parete, lasciandole svitate di 5 mm.

**N.B.:** assicurarsi che i fori di montaggio siano a un'altezza compresa tra 310 e i 510 mm dal pavimento.



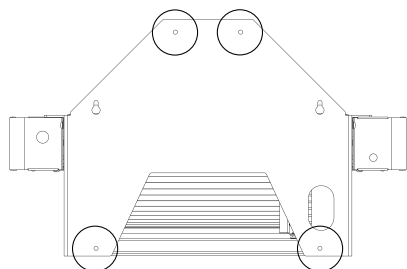
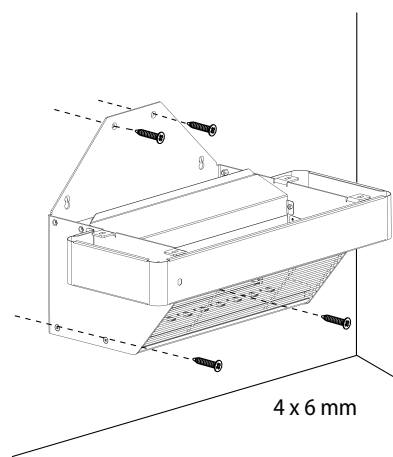
4. Sollevare il dispositivo sulla parete in modo che le viti lì presenti entrino nei fori sul retro del dispositivo.



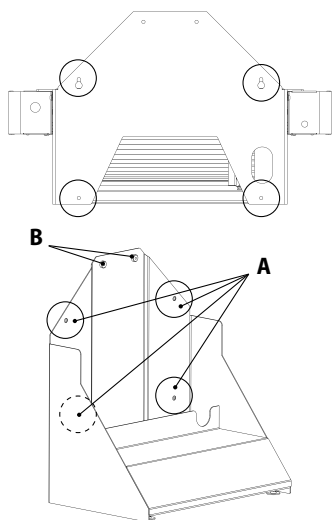
**N.B.:** quando si solleva il modulo principale, assicurarsi che il pannello frontale non si agganci al cavo di alimentazione. Fissare il pannello frontale al modulo principale con almeno due bulloni.

Sa

5. Avvitare le restanti quattro viti di montaggio nei fori di montaggio superiori e inferiori, quindi usarle per fissare il dispositivo alla parete. Adesso, il dispositivo è fissato alla parete in sei punti.



5.1. Versione con supporto a pavimento (vedere SUPPORTO A PAVIMENTO DEL RISCALDATORE a pagina 225). Fissare il dispositivo al supporto a pavimento usando quattro bulloni (A).

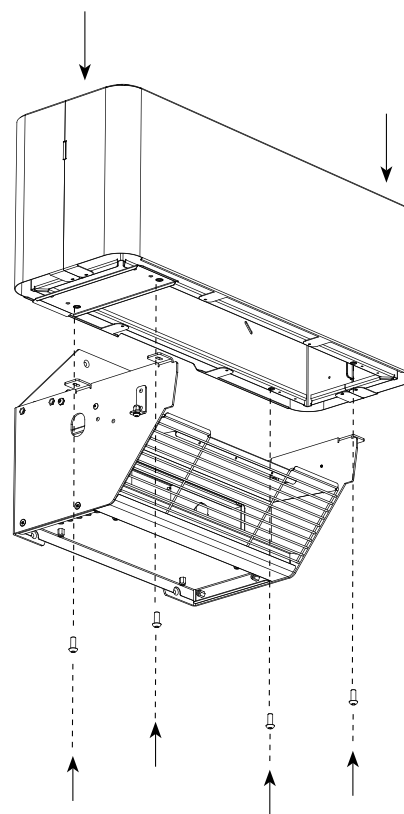


Quindi collocare il dispositivo in posizione. Il supporto a pavimento deve essere installato su un pavimento piano, con la parte posteriore contro una parete. Regolare i piedini in modo che il dispositivo sia in piano.

**N.B.:** il dispositivo deve essere ancorato alla parete attraverso i due fori di fissaggio superiori (B), per evitare che si ribalti. Se il dispositivo di climatizzazione per sauna non può essere ancorato alla parete, è obbligatorio utilizzare delle protezioni di sicurezza attorno al riscaldatore.

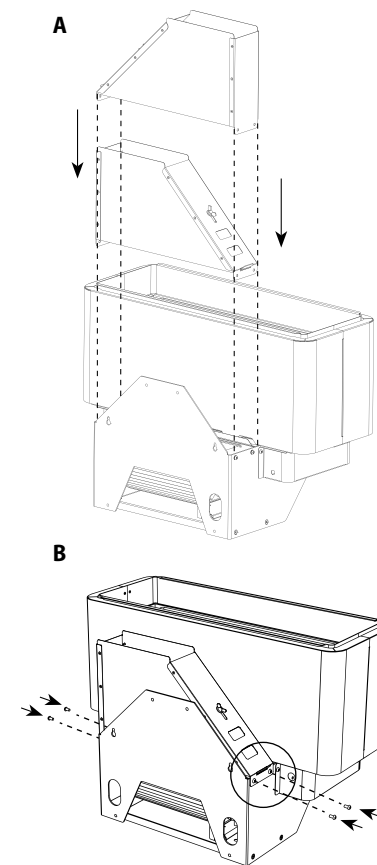
Sa

6. Rimettere in posizione il contenitore delle pietre, quindi fissarlo con quattro bulloni.



7. Rimettere in posizione la base della canna fumaria (A).

**N.B.:** la base della canna fumaria può essere installata in due posizioni, cioè con la canna fumaria a sinistra o a destra del riscaldatore, a scelta dall'installatore. Fissare con quattro bulloni (B).



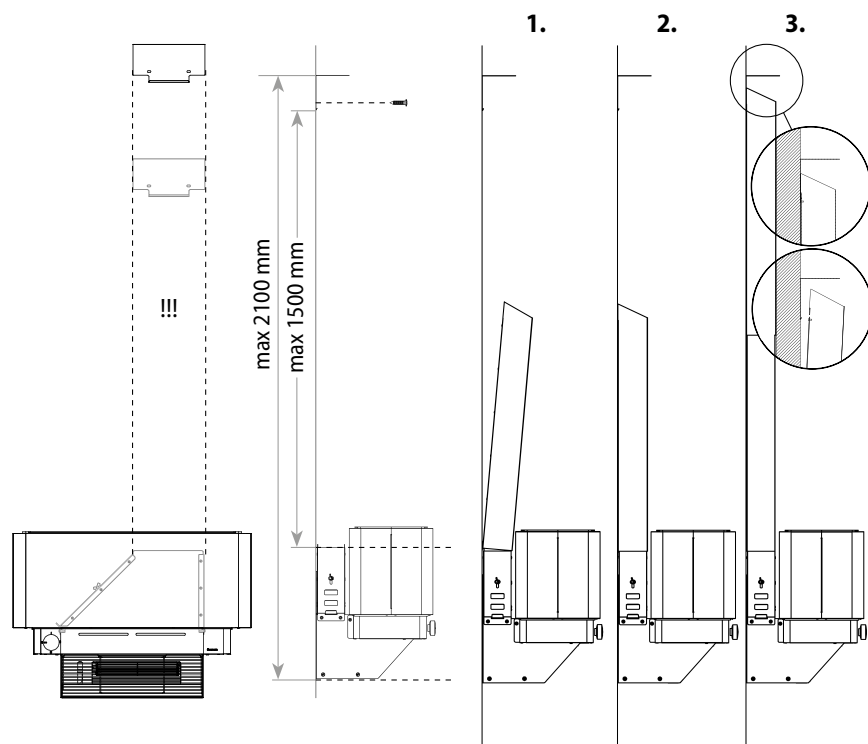
Sa

**8.** Con due viti da 5 mm, fissare il coperchio della canna fumaria al soffitto del locale sauna.

**N.B.:** assicurarsi che il coperchio della canna fumaria sia allineato con l'apertura nella base della canna fumaria.

**9.** Collocare l'estremità inferiore della canna fumaria sulla base.

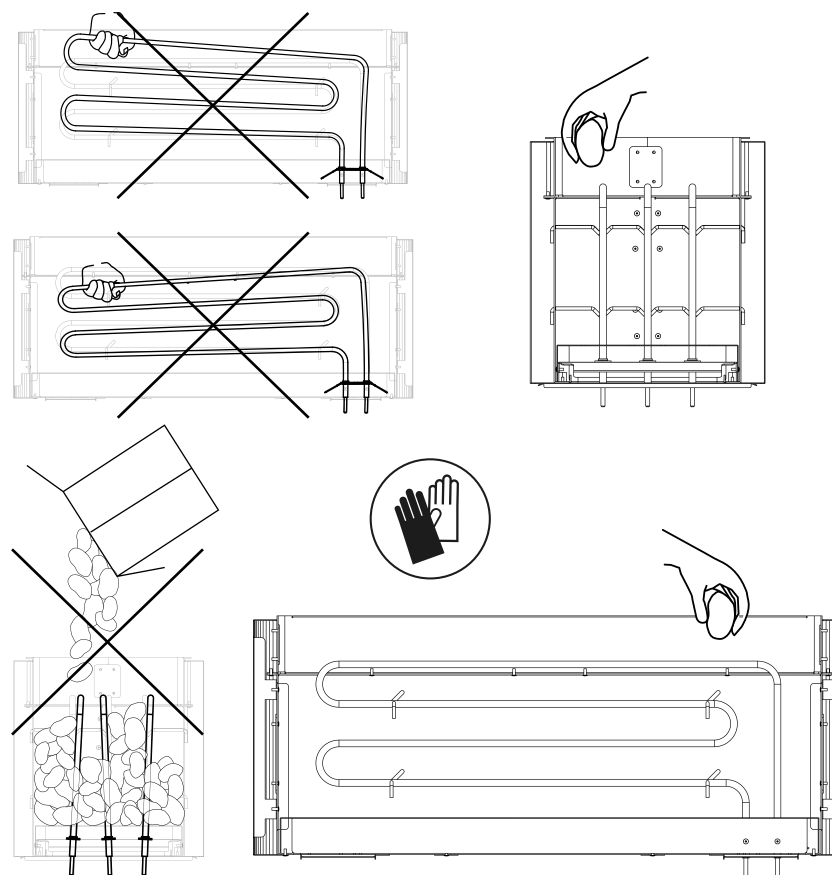
**10.** Unire la parte superiore e inferiore della canna fumaria e agganciare la parte superiore al coperchio della canna fumaria.



Sa

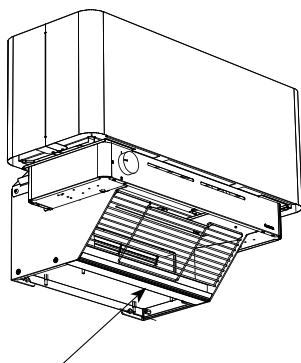
**11.** Installare le aste di supporto degli elementi riscaldanti (vedere INSTALLAZIONE E SOSTITUZIONE DEGLI ELEMENTI RISCALDANTI a pagina 241).

**12.** Sistemare le pietre nel loro contenitore (vedere CARICAMENTO DELLE PIETRE a pagina 219).



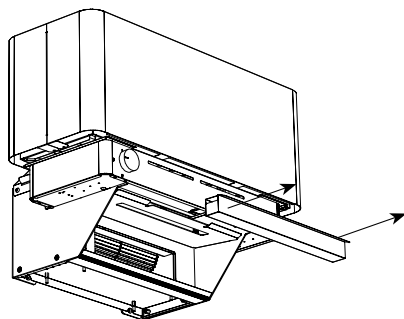
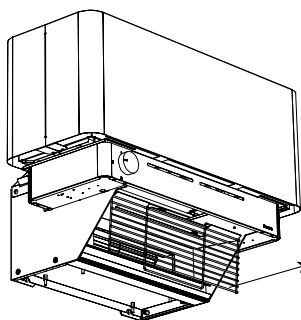
Sa

**13.** Sistemare le sfere di sale (vedere USO DI SFERE DI SALE DELL'HIMALAYA a pagina 216).



Rimuovere la griglia di uscita dell'aria, sollevandola (vedere la direzione sugli schemi) e sistemare le sfere di sale nelle relative cavità. Dopo aver posizionato o rimosso le sfere di sale, rimettere in posizione la griglia.

**Il dispositivo di climatizzazione per sauna può essere utilizzato solo con la griglia di fuoriuscita dell'aria in posizione.**



Sa

## COLLEGAMENTI ELETTRICI

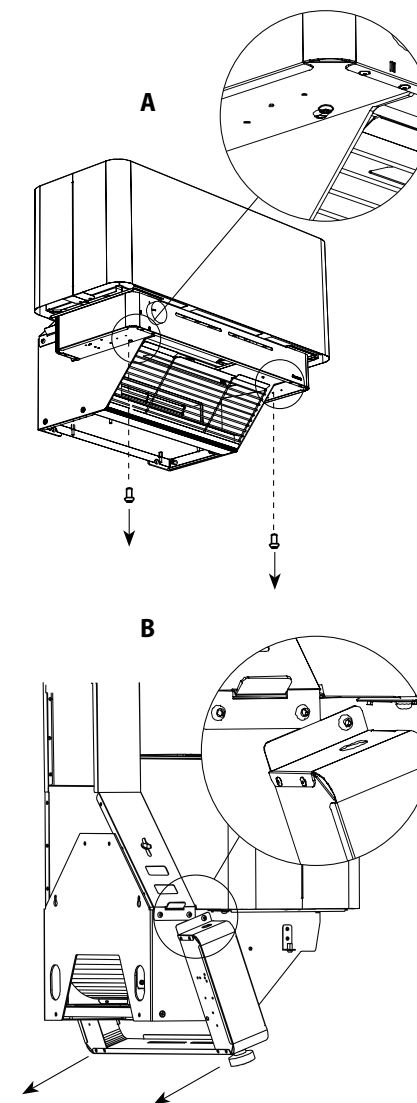
Collegare gli elementi riscaldanti secondo lo schema elettrico a pagina 238.

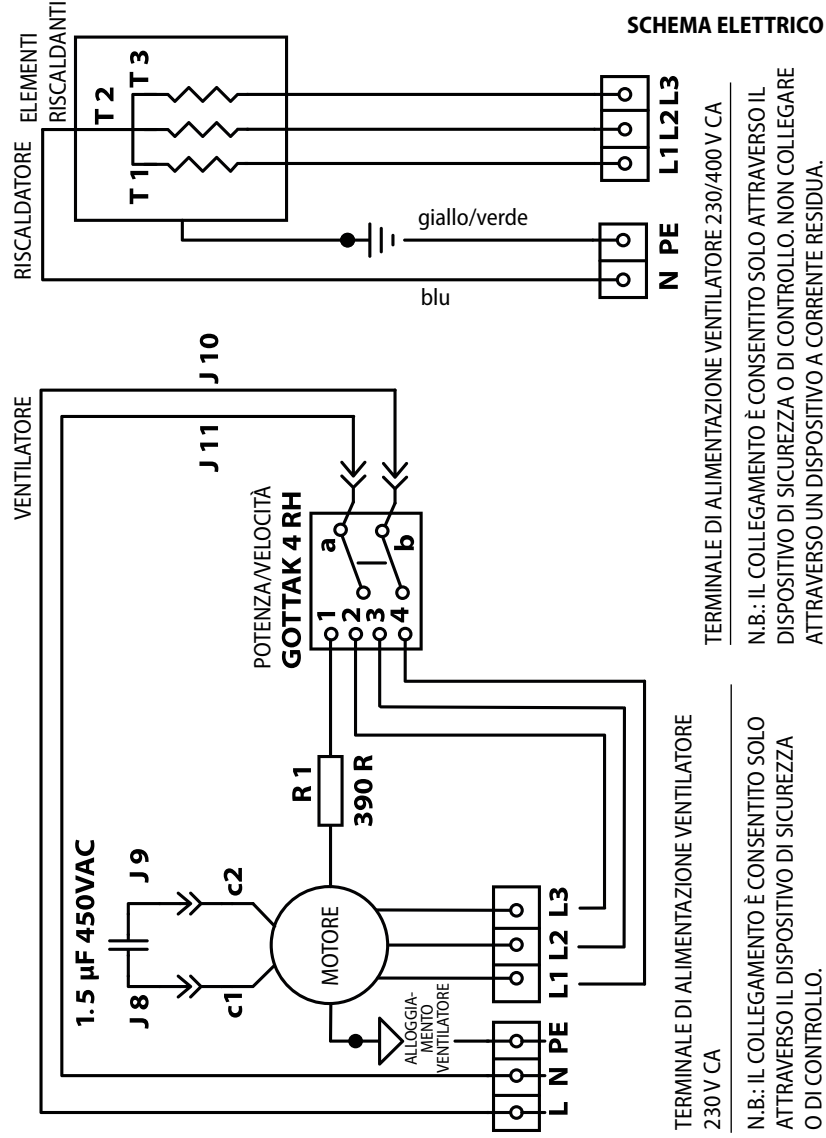
Collegare il dispositivo di climatizzazione per sauna al dispositivo di controllo.

**Il collegamento elettrico del dispositivo deve essere eseguito da un elettricista qualificato, in conformità alle norme e ai requisiti applicabili. Prima di effettuare qualsiasi collegamento elettrico assicurarsi che il disgiuntore automatico del dispositivo sia disinserito dal quadro elettrico.**

Il dispositivo di climatizzazione per sauna deve essere collegato in modo semi-permanente alla scatola di derivazione sulla parete del locale sauna. La scatola di derivazione deve essere a prova di schizzi e deve essere posizionata a un'altezza massima di 500 mm dal pavimento.

Il cavo di collegamento deve essere un cavo isolato in gomma di tipo H07RN-F o equivalente. Per accedere ai collegamenti elettrici del dispositivo è necessario aprire il pannello frontale sotto il contenitore delle pietre. Per rimuovere il pannello, allentare completamente i due bulloni sotto il dispositivo (vedere figura A sotto). Per un accesso più comodo allentare anche i bulloni sui lati (B).





Sa

Sa

**N.B.: a causa del potenziale rischio di infragilimento termico, è vietato utilizzare un cavo isolato in PVC come cavo di collegamento per il dispositivo di climatizzazione per sauna.**

- I collegamenti interni del dispositivo devono essere effettuati per mezzo di morsetti a vite secondo lo schema elettrico (pagina 238) e la Tabella 1 (pagine 212–213) di questo manuale.
- La messa a terra di protezione deve essere collegata al morsetto di connessione del dispositivo, con un cavo con sezione minima di 2,5 mm<sup>2</sup>.
- Il riscaldatore deve essere alimentato da un circuito di alimentazione da 380 V CA (trifase) o 230 V CA (monofase) a 50/60 Hz attraverso un dispositivo di controllo protetto da un fusibile di sovracorrente delle dimensioni indicate nella Tabella 1 (pagine 212–213).
- Se si desidera collegare il ventilatore di ricircolo dell'aria del dispositivo separatamente dal dispositivo di controllo del riscaldatore, il ventilatore deve essere collegato tramite un dispositivo a corrente residua. In tal caso, la messa a terra di protezione del terminale di ingresso di alimentazione del ventilatore del dispositivo di climatizzazione per sauna non deve essere messa a contatto con la messa a terra di protezione del terminale di ingresso di alimenta-

zione del riscaldatore. In questo caso, il ventilatore deve essere alimentato da un cavo di messa a terra di almeno 1,5 mm<sup>2</sup>.

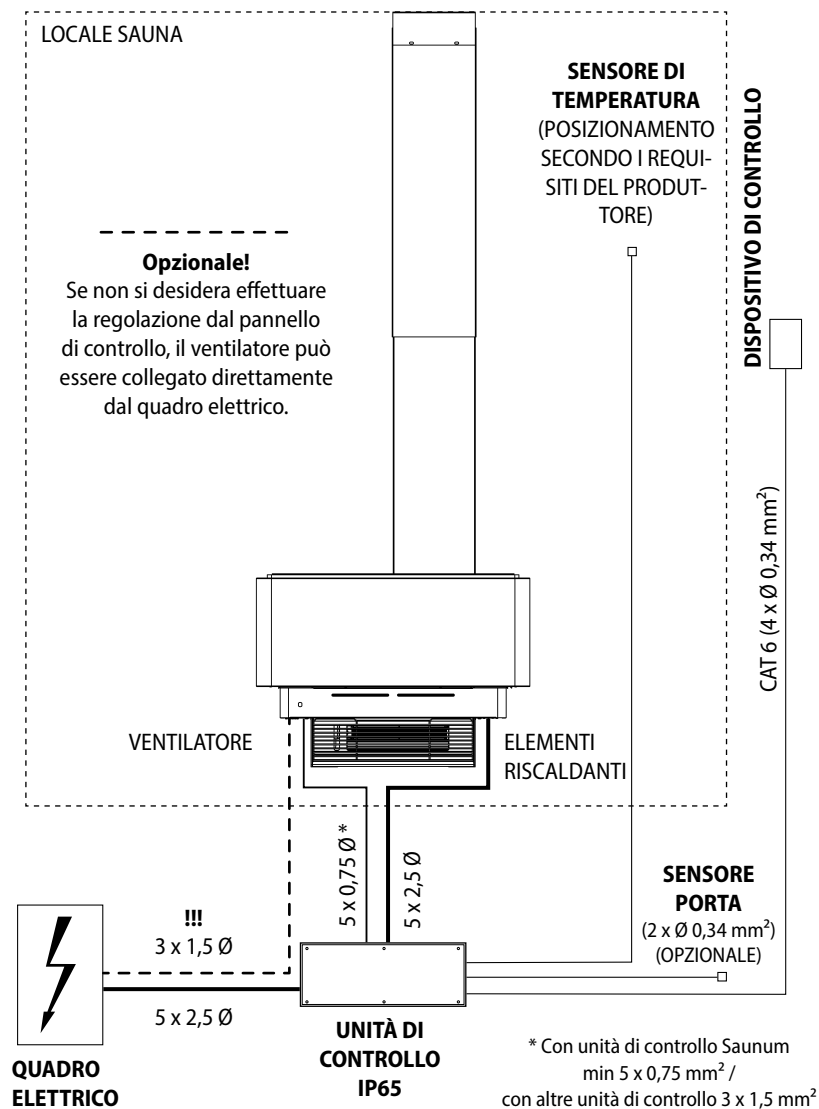
- Il cavo di alimentazione deve entrare nell'alloggiamento del dispositivo di climatizzazione per sauna in modo che l'acqua non possa scorrere lungo il cavo nella scatola di connessione elettrica dell'alloggiamento. L'isolamento esterno del cavo può essere rimosso solo lungo la parte che si estende nell'alloggiamento.
- Se i cavi di collegamento e installazione si trovano a un'altezza superiore a 1000 mm dal pavimento del locale sauna o all'interno delle pareti del locale sauna, devono essere in grado di resistere a una temperatura di almeno 170 °C (ad es. SSJ). Le apparecchiature elettriche installate nel bagno di vapore a un'altezza inferiore a 1000 mm dal pavimento devono resistere a una temperatura di almeno 125 °C (ad es. T125).
- La sezione trasversale consigliata per le scanalature del cavo di collegamento è indicata nella Tabella 1 (pagina 212–213).

**N.B.: il collegamento del dispositivo alla rete elettrica deve essere affidato esclusivamente a un elettricista qualificato, in conformità alle normative.**



Sa

## CAVI DI ALIMENTAZIONE PER SAUNUM PREMIUM



Sa

## RESISTENZA DI ISOLAMENTO DEL RISCALDATORE ELETTRICO

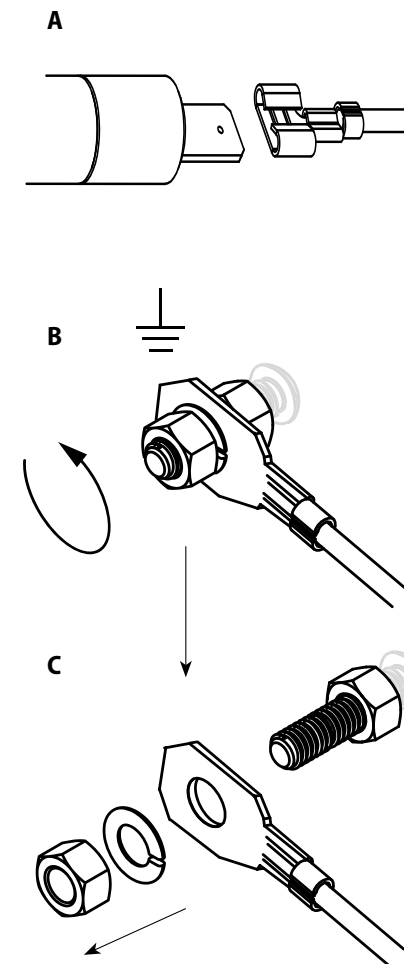
Durante l'ispezione finale dell'impianto elettrico, la misurazione della resistenza di isolamento del dispositivo di climatizzazione per sauna può rivelare una "perdita"; questa perdita è dovuta al fatto che gli elementi riscaldanti hanno assorbito l'umidità presente nell'aria (durante lo stoccaggio e/o il trasporto). Dopo alcuni utilizzi del dispositivo di climatizzazione per sauna, questa umidità scompare.

**N.B.: non collegare il riscaldatore alla rete elettrica tramite un dispositivo a corrente residua.**

## INSTALLAZIONE E SOSTITUZIONE DEGLI ELEMENTI RISCALDANTI

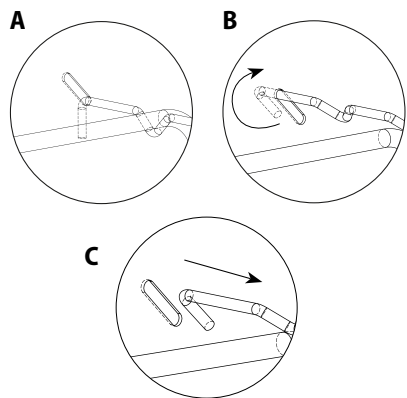
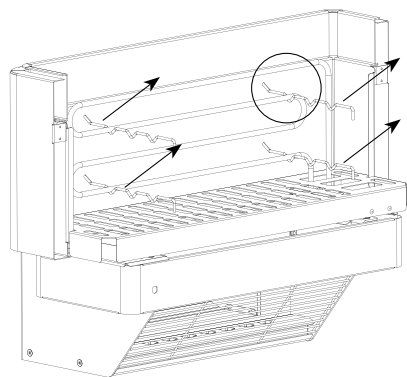
**N.B.: prima di sostituire gli elementi riscaldanti, assicurarsi che il disgiuntore automatico del dispositivo sia disinserito dal quadro elettrico.**

Gli elementi riscaldanti sono fissati al dispositivo tramite i morsetti dei cavi (A). È necessario staccare i morsetti dei cavi (6) prima di rimuovere gli elementi riscaldanti. Scollegare la messa a terra di protezione dal bullone del riscaldatore (B, C).

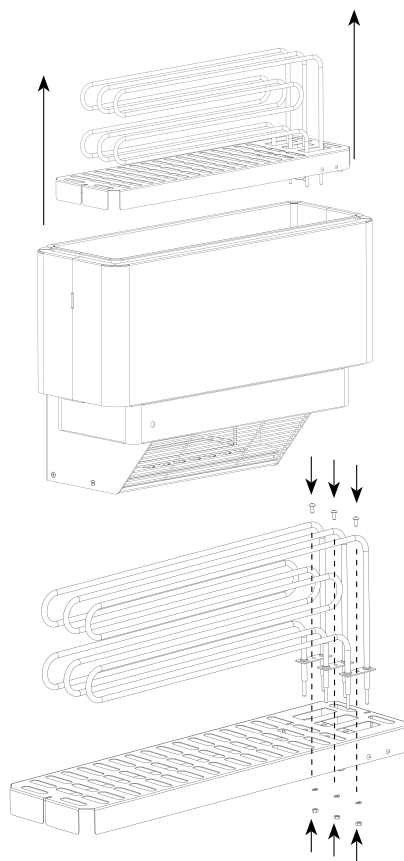


Sa

Rimuovere quindi le quattro aste di supporto degli elementi riscaldanti (A). Per farlo, ruotare l'asta in modo che l'estremità piegata sia parallela al foro nell'alloggiamento (B), quindi tirare con una leggera angolazione attraverso il foro, prima da un lato (C) e poi dall'altro.



Ora è possibile estrarre gli elementi riscaldanti dal contenitore delle pietre insieme alla piastra di base. Gli elementi riscaldanti sono imbullonati alla piastra di base.



Dopo aver ricollocato gli elementi riscaldanti, fissare tutto nell'ordine inverso.

Sa

## CONDIZIONI GENERALI DI GARANZIA DEI PRODOTTI SAUNUM

Con la garanzia sui dispositivi Saunum, Saunum garantisce che il prodotto è esente da difetti nei materiali e di montaggio per un periodo di tempo specificato. Se, durante il periodo di garanzia, il dispositivo risulta difettoso a causa dell'uso di materiali scadenti o della cattiva qualità del montaggio, i partner che Saunum ha consigliato per gli interventi di riparazione provvederanno a riparare o sostituire il dispositivo o il componente difettoso senza spese di manodopera o ricambi, alle condizioni indicate di seguito. Saunum si riserva il diritto di decidere se sostituire il componente difettoso del prodotto o sostituire il dispositivo con uno nuovo. I componenti difettosi sostituiti rimangono di proprietà di Saunum.

### Condizioni di garanzia:

1. La garanzia è valida solo se insieme al reclamo viene presentata una scheda di installazione debitamente compilata.
2. Il dispositivo deve essere stato collegato alla rete elettrica da un elettricista qualificato, in conformità alle normative vigenti.

3. Il periodo di garanzia del dispositivo di climatizzazione per sauna per l'uso in una sauna privata è di due (2) anni.
4. Il periodo di garanzia del dispositivo per la climatizzazione per sauna per l'uso in una sauna pubblica è di un (1) anno.

### La garanzia non copre:

1. La manutenzione e pulizia ordinarie del dispositivo e la sostituzione dei componenti a causa di normale usura.
2. L'adattamento o la modifica del dispositivo per scopi diversi da quelli specificati nelle istruzioni per l'uso.
3. I rischi derivanti dal trasporto.
4. Eventuali danni derivanti da un uso scorretto del dispositivo.
5. Eventuali danni derivanti da un'installazione scorretta del dispositivo.
6. Riparazioni del dispositivo non eseguite dal partner consigliato da Saunum per gli interventi di manutenzione.



7. Incidenti, fulmini, acqua, fuoco, ventilazione scorretta o qualsiasi altro fattore al di fuori del controllo di Saunum.

8. Guasti causati dall'uso di pietre e sfere di sale non consigliate da Saunum.

9. Gli elementi riscaldanti e le sfere di sale.

L'elenco dei fornitori di servizi di installazione e manutenzione consigliati da Saunum è disponibile sul sito web di Saunum Saunas OÜ [www.saunum.com](http://www.saunum.com) o contattandoci all'indirizzo [info@saunum.com](mailto:info@saunum.com).

Le istruzioni per la manutenzione del dispositivo Saunum si trovano nelle istruzioni per l'uso.

**N.B.:** il collegamento del dispositivo alla rete elettrica deve essere affidato esclusivamente a un elettricista qualificato, in conformità alle normative.

Leggere attentamente e accuratamente tutte le istruzioni per l'uso **prima di utilizzare il dispositivo** e conservarle in un luogo sicuro e facilmente accessibile per riferimento futuro.



## SCHEDA DI **INSTALLAZIONE**

Data di acquisto: \_\_\_\_\_

Tipo di riscaldatore: \_\_\_\_\_

Etichetta/numero di serie:  Data di installazione: \_\_\_\_\_

Luogo di installazione: \_\_\_\_\_

Installato da: \_\_\_\_\_

Ispezionato da: \_\_\_\_\_

Data, firma: \_\_\_\_\_

Descrizione dei lavori completati: \_\_\_\_\_

Sono disponibili tutti i componenti per l'installazione \_\_\_\_\_

Non sono presenti difetti di colore o ammaccature \_\_\_\_\_

Il dispositivo è installato alla parete o sul pavimento secondo le istruzioni \_\_\_\_\_

I collegamenti elettrici sono effettuati secondo le istruzioni per l'installazione \_\_\_\_\_

Tutti gli elementi riscaldanti si riscaldano \_\_\_\_\_

Le tre velocità della ventola funzionano / sono nell'ordine corretto \_\_\_\_\_

Note: \_\_\_\_\_

Dati del cliente (nome, indirizzo e-mail): \_\_\_\_\_

Lavoro accettato: \_\_\_\_\_



Dichiarazione di conformità CE

Il produttore: Saunum Saune OÜ  
Indirizzo: Suur-Paala 19  
11415 Tallinn, Estonia

certifica che il prodotto:

## Riscaldatore per locale sauna con dispositivo di climatizzazione Saunum Premium

è conforme ai requisiti delle seguenti direttive del Parlamento europeo e del Consiglio, a condizione che l'installazione sia stata eseguita in conformità alle istruzioni di installazione fornite dal produttore dell'apparecchiatura e alla norma EN 60 204-1 "Sicurezza del macchinario. Equipaggiamento elettrico delle macchine – Parte 1: Regole generali",  
alla Direttiva Macchine 2006/42/CE,  
alla Direttiva sulla bassa tensione 2014/35/UE e  
alla Direttiva sulla compatibilità elettromagnetica 2014/30/UE.



# Saunum

Ilmastointilaitteella varustettu saunan kiuas  
**Saunum Premium**

Sa

## HUIPPULUOKAN SAUNAKOKEMUS!

*Olen erittäin iloinen, että olet hankkinut Saunum-laitteen, ja uskon, että innovatiivinen teknologiamme tarjoaa sinulle upean ja ainutlaatuisen saunaelämyksen.*

Olen koulutukseltani lämpötekniikan insinööri ja olen kotoisin Etelä-Virosta, jossa rakkauteni saunomiseen sai syntynsä. Etelä-Viron perinteisten savusaunojen erityispiirre on alhaisempi lämpötila ja korkeampi kosteusaste kuin esimerkiksi klasisisessa suomalaisessa saunassa. Tavallisissa saunoissa kiukaan kivitilavuus on yleensä pieni. Seurauksena voi olla äkillinen polttavan kuuma löyly ja erittäin epätasainen lämpötila, jossa pään ja hartioiden korkeudella on todella kuuma, mutta jalat jäävät kylmiksi. Tällainen kokemus voi olla epämiellyttävää ja saattaa aiheuttaa päänsärkyä ja rasittaa kehoa. Muinaisissa savusaunoissa ja intiaanisaunoissa kiviä lämmitettiin pitkään päivän aikana. Kiviin varastoitunut lämpö käytettiin kehon puhdistamiseen ja todella nautinnolliseen saunomiselämykseen.

Halusin luoda savusaunan inspiroimana innovatiivisen ratkaisun, jossa aidon saunan parhaat puolet yhdistyvät moderniin teknologiaan. Tuloksena on miellyttävän lempeä ja rentouttava saunakokemus ilman tuskallisen kuumaa löylyä. Saavuttaakseni tavoitteeni minun oli ratkaistava, kuinka tasainen lämpötila voidaan saavuttaa sekä pään että jalkojen korkeudella. Kehitystyötäni tuki samaan aikaan Tallinnan teknillisessä yliopistossa tehty tutkimus, jossa analysoitiin löylyhuoneen lämpökerrostumista ja ilman liikettä. Saunum syntyi tieteellisen ajattelun ja teknologisen innovaation yhteistyönä.



Sa

Saunumin ainutlaatuinen patentoitu ilmakerrosten sekoitusjärjestelmä ottaa talteen löylyhuoneen yläosaan nousevan kuumen ilman ja sekoittaa sen lattiatasossa olevaan viileämpään ilmaan ja ohjaa lempeän löylyn tasaisesti takaisin saunaan. Tuloksena on nautinnollinen ja pehmeä löylykokemus. Voit istua saunassa pidempään ja nauttia löylystä ja puhdistautumisesta tunteitta väsymystä. Saunum-kiukaiden kivitilavuus on huomattavasti suurempi kuin muiden valmistajien kiukaiden ja tämän ansiosta ne tuottavat erittäin miellyttävän, pitkäkestoisen ja pehmeän löylyn.

Kosteaa höyrysauna, sanarium, terapeuttinen suolasauna tai terveellinen aromisauna – kaikki nämä toiminnot löytyvät Saunumin laitteista, ja niiden avulla voit tehdä saunakokemuksestasi todella rentouttavan. Kun käytät laitteessamme Himalajan suolapalloja, niistä höyrystyy hyödyllisiä suoiaioneja löylyn sekaan saunan sisäilmaan ja sitä kautta ne päätyvät iholle ja hengitysteihin. Löylyä ja terveellistä aromiöljyä yhdistävällä sauna-aromijärjestelmällä voit luoda vieläkin nautinnollisemman saunaympäristön.

Saunumin saunalaitteet sopivat sekä aikuisille että lapsille.

### Mukavia löylyhetkiä!

Andrus Vare  
Saunumin luoja ja idean kehittäjä

Saunum Saunas OÜ  
**onnittelee sinua**  
 innovatiivisen ilmastointilaitteella  
 varustetun saunan kiukaan  
 hankinnan johdosta!

## SISÄLTÖ

Turvallisuusohjeet .....	252
<b>KÄYTTÖOHJEET</b>	
Löylyhuoneen lämmittäminen .....	254
Ilmastointilaitteella varustetun kiukaan käyttö .....	254
Lämpötilan säätäminen .....	255
Saunan ilmastoinnin säätäminen .....	255
Himalajan suolapallojen käyttö .....	255
Veden heittäminen kiukaalle .....	256
Varoitukset .....	256
Ongelmien ratkaiseminen .....	257
Kivien ladonta .....	259
Kiuas-ilmastointilaitteen huolto .....	259
Löylyhuone .....	261
Löylyhuoneen tuuletus .....	261
Kiukaan teho .....	262
<b>ASENNUS</b>	
Ennen asennusta .....	264
Kiukaan lattiajalusta .....	265
Mitat .....	266
Tuotteen toimitussisältö .....	268
Laitteen osat .....	269
Asennusohje .....	270
Sähköliitännät .....	277
Lämmitysvastusten asennus ja vaihto .....	281
Takuu .....	283
<b>Asennustodistus</b> .....	285

Sa



Taulukko 1.

## TURVALLISUUSOHJEET

Tämä käyttö- ja asennusohje on tarkoitettu saunan omistajalle tai huoltajalle sekä ilmastointilaitteella varustetun saunan kiukaan asennuksen suorittavalle sähköasentajalle. Ilmastointilaitteella varustetun kiukaan asennuksen jälkeen ohje tulee toimittaa saunan omistajalle tai huoltajalle.

Perehdy asennus- ja turvallisuusohjeisiin ennen ilmastointilaitteella varustetun **Saunum Premium** -kiukaan (jäljempänä "kiuas-ilmastointilaitte" tai "ilmastointilaitteella varustettu kiuas") käyttöä.

Kiuas-ilmastointilaitte on tarkoitettu löylyhuoneen lämmittämiseen 60–100 °C:een lämpötilaan ja löylyhuoneen sisäilman tasoittamiseen saunomisen aikana.

**HUOM! Ilmastointilaitteella varustettua kiuasta ei saa käyttää yli 100 °C:een lämpötilassa!**

LAITE	TEHO	SULAKE 3 vaihe	VIRTAKAAPPELI mm <sup>2</sup> 3 vaihe 1 vaihe/ tuuletin	Sisäkaton minimikorkeus	Minimi turvaetäisyys kiukaasta	Löylyhuoneen tilavuus m <sup>3</sup>
Saunum Premium	6 kW	C10	5 x 2,5 5 x 0,75*	200 cm	50 mm sivuilla, 75 mm edessä, etäisyys kattoon 1000 mm (kivistä)	5–8
Saunum Premium	9 kW	C16	5 x 2,5 5 x 0,75*	200 cm	50 mm sivuilla, 100 mm edessä, etäisyys kattoon 1000 mm (kivistä)	9–12

\* Saunum Leil -ohjauksyksiköllä min 5 x 0,75 mm<sup>2</sup> / muilla ohjauksyksiköillä 3 x 1,5 mm<sup>2</sup>

Sa

**HUOM! Saunum Premium -kiuas-ilmastointilaitte on suunniteltu käytettäväksi yhdessä LEIL-ohjauksyksikön kanssa korkeintaan 100 °C:een lämpötiloissa.**

**HUOM! Jos Saunum Premium -kiuas-ilmastointilaitetta käytetään yhdessä jonkin toisen valmistajan ohjauksyksikön kanssa, lämpötila ei saa ylittää 90 °C:tta!**

**HUOM! Tämä käyttöohje koskee vain yksityiskäytössä olevia saunoja. Yleisiin saunoihin sovelletaan erityisehtoja, jotka tulee määrittellä valmistajan kanssa.**

**HUOM! Valmistaja ei vastaa laitteen virheellisestä käytöstä johtuvista vahingoista.**

**HUOM! Älä käytä ilmastointilaitteella varustettua kiuasta mihinkään muuhun tarkoitukseen!**

**HUOM! Ilmastointilaitteella varustetun kiukaan yhdistämiseen virransyöttöön tarvitaan sähkökiukaille tarkoitettu**

**ohjuslaite. Ohjuslaitteen on oltava käytettävän kiukaan tehon mukainen, katso Taulukko 1.**

Ohjuslaitteessa tulee olla kiuas-ilmastointilaitteen tuulettimen ohjaamisen mahdollisuus. On suositeltavaa, että siinä olisi toiminto kiukaan ja kiuas-ilmastointilaitteen tuulettimen kytkemiseksi pois päältä samanaikaisesti.

**Laitteen pitkän käyttöiän varmistamiseksi on tärkeätä, että löylyhuoneen lämpötila laitteen alaosan korkeudella ei ylitä 80 °C:tta.** Jos se ylittyy, lämpösuoja laukeaa ja puhallin pysähtyy; puhallin käynnistyy uudelleen, kun lämpötila laskee alle lämpösuojan laukaisurajan.

Valmistaja ei vastaa laitteen toimintahäiriöistä, jotka ovat syntyneet sallitun käyttölämpötilan ylittämisestä.

**HUOM! Maksimilämpötila ohjuslaitteen lämpötila-anturin korkeudella (30+ cm kiukaasta ja 5 cm katosta) on 100 °C.**

Sa

## LÖYLYHUONEEN LÄMMITTÄMINEN

Ennen kiuas-ilmastointilaitteen ensimmäistä käyttökertaa on varmistettava, että:

- sähköliitännät ovat vaatimusten mukaisia;
- syöttöjännite on kiuas-ilmastointilaitteen nimellisarvojen mukainen;
- maadoitus (PE) on toetutettu asianmukaisesti;
- laitteen kotelon kiinnikkeet ovat kunnossa;
- kiuas-ilmastointilaitte on kiinnitetty asianmukaisesti seinään, ja seinä kestää laitteen ja kivien painon;
- ylijännitesuojat ovat toimintakunnossa;
- tuulettimen roottori pääsee pyörimään esteettömästi;
- laitteen koteloon ei ole jäänyt asennustöiden jäljiltä työkaluja tai materiaali jäämiä.

Ilmastointilaitteella varustetun kiukaan käynnistämisen yhteydessä on tarkistettava:

- ilmavirran suunta – ilman sisäänotto ylemmästä ja poisto alemmasta aukosta;
- tuulettimen toiminnan aikana ei ilmene tärinää tai ylimääräistä melua.

Kun ilmastointilaitteella varustettu kiuas kytketään päälle ensimmäistä kertaa, kiukaasta ja kivistä tulee hajua. Hajun poistamiseksi löylyhuonetta on tuuletettava.

Jos kiukaan teho on löylyhuoneen kannalta sopiva, oikealla tavalla lämpöeristetyin löylyhuoneen lämmittämiseen haluttuun lämpötilaan kuluu 45–90 minuuttia. Löylyhuoneen ilma lämpenee löylylämpötilaan normaalisti samanaikaisesti kiuaskivien kanssa.

Kytke laitteen tuuletin päälle vasta hetkeä ennen löylyhuoneeseen menemistä. Näin vältät lauteiden ylikuumentumista ja säästät energiaa. **Saunumin suosittelema saunomislämpötila on 65–80 °C.**

## ILMASTOINTILAITTEELLA VARUSTETUN KIUKAAN KÄYTTÖ

**HUOM!** Ennen kiuas-ilmastointilaitteen päälle kytkemistä on aina varmistettava, että sen päällä tai lähellä ei ole mitään ylimääräisiä materiaaleja tai esineitä.

**Saunum Premium** -laitteen toiminta-aikaa voidaan säätää erillisellä ohjauslaitteella.

- Laitetta ei saa kytkeä suoraan verkoviirtaan!
- Kiuas-ilmastointilaitetta ei saa käyttää, jos sen kotelosta on poistettu osia ja/tai sähkökaaviota on muutettu.
- Älä anna lasten päästä käsiksi kiuas-ilmastointilaitteeseen tai leikkiä sillä.

Sa

- Kiuas-ilmastointilaitteen päälle ja pois kytkemisessä on noudatettava käytettävän ohjauslaitteen käyttöohjeita.

**HUOM!** Varmista saunomisen jälkeen, että kiuas-ilmastointilaitteen kaikki osat on kytketty pois päältä (kiuas on sammunut ja tuuletin pysähtynyt).

## LÄMPÖTILAN SÄÄTÖ

**HUOM!** Suosittelemme kiuas-ilmastointilaitteen tuulettimen pitämistä sammutetuna löylyhuoneen lämmittämisen aikana!

Tällöin löylyhuone lämpenee nopeammin ja saunan lauteet eivät kuumene liikaa lämmittämisen aikana. Sopivien asetusten löytämiseksi aloita kokeilut matalalla lämpötilalla ja pienellä tuulettimen nopeudella. Jos lämpötila nousee löylyhuoneessa oleskelemisen aikana liian korkeaksi, pienennä löylyhuoneen maksimilämpötilaa tai kiuas-ilmastointilaitteen tuulettimen nopeutta.

## SAUNAN ILMASTOINNIN SÄÄTÄMINEN

Laitteen ilmankierron määrää säädetään kiertokytkimellä, joka on sijoitettu laitteen etuosan vasemmalle puolelle alhaalle. Kytkimessä on neljä asentoa ja sitä voi kääntää myötä- tai vastapäivään. Kytkimessä olevan

viivan osoittaessa vasemmalle kiuas-ilmastointilaitteen tuuletin on kytketty pois päältä.

**Ilmavirran nopeus** kasvaa, kun kytkintä käännetään myötäpäivään. Valittavissa on kolme nopeustasoa. Löylyhuoneen ilman lämpötilaa säädetään jäähdytyspellillä, joka on sijoitettu kiukaan hormisokkelin vasemmalle puolelle kivitilan taakse (katso sivu 269). Suosituksena on pitää jäähdytyspelti 1/3 auki. Löylyhöyryn jäähdyttämiseksi peltiä voi avata vähän kerrallaan.

## HIMALAJAN SUOLAPALLOJEN KÄYTTÖ

Kiuas-ilmastointilaitteen mukana toimitetaan Himalajan suolapalloja. Suolapallojen käyttö laitteessa on valinnaista eikä se vaikuta laitteen perustoimintoihin.

Suolapallot asennetaan ilmanpoistoaukon säleikön ja tuulettimen väliin sijoitettuihin pidikkeisiin. Varmista, että suolapallot ovat asianmukaisesti paikoillaan ja että ne eivät estä tuulettimen pyörimistä.

Irrota ilmanpoistoaukon säleikkö suolapallojen laittamiseksi paikoilleen pidikkeisiinsä tai niiden poistamiseksi (katso sivu 276). Asenna säleikkö takaisin paikalleen suolapallojen asettamisen jälkeen. Kiuas-ilmastointilaitetta saa käyttää vain silloin, kun ilmanpoistoaukon säleikkö on asennettu



Sa

paikalleen! Jos suolapalloja joutuu tuulettimen koteloon, älä käynnistä tai käytä laitetta!

**HUOM!** Muiden kuin valmistajan suosittelemien suolapallojen käyttäminen mitätöi takuun!

## VEDEN HEITTÄMINEN KIUKAALLE

Saunassa oleva ilma kuivuu kuumetessaan. Sopiva ilmankosteuden taso saavutetaan heittämällä löylyä. Kuumuus ja höyry vaikuttavat eri tavalla eri henkilöihin. Kiuasilmastointilaitteen eri asetuksia kokeilemalla löydät itsellesi parhaiten sopivan lämpötilan ja kosteuspiitoisuuden yhdistelmän.

**Löylykauhan sopiva enimmäistilavuus on 0,2 litraa. Löylyä heitettäessä kerralla heitettävän veden määrän ei pitäisi ylittää 0,2 litraa, sillä jos kiuaskiville kaadetaan kerralla liian paljon vettä, osa siitä saattaa kiehahtaa ja kuumat roiskeet voivat aiheuttaa palovammoja.**

Varmista, että saunan käyttäjät ovat turvallisuudella etäisyydellä kiukaasta löylyä heitettäessä! Kuuma höyry ja roiskeet voivat aiheuttaa palovammoja. Kiukaalle heitetyn veden tulee täyttää puhtaalle talousvedelle asetetut vaatimukset. Vedessä tulee käyttää vain saunakäyttöön tarkoitettuja aromiaineita. Noudata pakkauksen ohjeita.

**HUOM!** Kiuas-ilmastointilaitteen ilmanvaihtaukoihin ei saa heittää vettä!

## VAROITUKSET

- Pitkään jatkuva oleskelu löylyhuoneessa nostaa kehon lämpötilaa, mikä saattaa aiheuttaa vaaraa terveydelle!
- Älä kosketa kuumaa kiuasta – kivet ja kiukaan ulkopinta saattavat olla polttavan kuumia!
- Älä anna lasten, vammaisten tai sairaiden henkilöiden oleskella löylyhuoneessa ilman valvontaa!
- Kysy lääkäriltä saunomisen ja höyryn omalle terveydentilallesi mahdollisesti aiheuttamista vaaroista!
- Kysy lääkäriltä suolahoidon omalle terveydentilallesi mahdollisesti aiheuttamista vaaroista!
- Varmista, että et ole allerginen suolahoidon sivuvaikutuksista!
- Kysy lääkäriltä neuvoja koskien lasten saunomista!
- Noudata varovaisuutta liikkuessasi pesu- ja löylyhuoneessa, sillä lauteet ja lattiat saattavat olla liukkaista!
- Älä sauno alkoholia nauttineena tai lääkkeiden tai huumeiden vaikutuksen alaisena!
- Älä nuku kuumassa saunassa!

Sa

- Meri-ilma ja kostea ilmasto saattavat aiheuttaa oksidikerroksen (ruosteen) muodostumista kiukaan metallipinnoille!
- Varmista, että löylyhuoneen ilmanvaihto toimii asianmukaisesti. Saunum ei vastaa suolan laitteisiin mahdollisesti aiheuttamasta korroosiosta. Ota tarvittaessa yhteys asiantuntijaan!
- Älä ripusta pyyhkeitä ja vaatteita kuivumaan löylyhuoneeseen – ne saattavat aiheuttaa tulipalon vaaran!
- Suuri ilmankosteus saattaa vahingoittaa sähkölaitteita!
- Tuulettimen ilmanpoistoaukon edessä ei saa olla esteitä alle 50 cm etäisyydellä!
- Saunojen on varottava laittamasta jalkojaan tai muita kehon osia lähemmäs kuin 50 cm:n etäisyydelle tuulettimesta!

**HUOM!** Kiuasta varten tarvitaan ohjauspaneeli ja kiviä.

**HUOM!** Älä jätä ilmastointilaitteen tuuletinta päälle, jos et oleskele löylyhuoneessa – se lisää energiankulutusta ja saunan lauteet voivat kuumentua liikaa!

## ONGELMIEN RATKAISEMINEN

**HUOM!** Huoltotoimet tulee antaa pätevän huoltohenkilöstön suoritettavaksi.

**Jos kiuas-ilmastointilaitteen toiminnassa ilmenee häiriöitä, sen käyttö on välittömästi lopetettava ja Saunumin valtuuttamaa asiantuntijaa on pyydetävä tarkistamaan laite.**

**SAUNAN ILMASTOINTILAITE EI LÄMMITÄ EIKÄ PUHALLA ILMAA.**

- Varmista, että kiukaan sulakkeet ovat kunnossa.
- Varmista, että virtajohto on kytketty.
- Varmista, että kiuas-ilmastointilaite on kytketty päälle.
- Nosta löylyhuoneen maksimilämpötilaa.

**LÖYLYHUONE LÄMPENEE HITAASTI. KIVILLE HEITETTY VESI JÄÄHDYTTÄÄ KIVET NOPEASTI.**

- Varmista, että kiuas-ilmastointilaitteen tuuletin on kytketty pois päältä kiukaan lämpenemisen ajaksi.
- Varmista, että kiuas-ilmastointilaitteen sulakkeet ovat kunnossa.

## Sa

- Varmista, että kiuas-ilmastointilaitteen toimissa kaikki vastukset ovat kuumia (hehkuvia).
- Nosta valittua lämpötilaa ohjauslaitteella.
- Varmista, että kiukaan teho on riittävä.
- Tarkista kiuaskivet. Liian tiiviisti ladotut kivet, kivien painuminen / tiivistyminen kiukaan sisällä tai väärin valitut kivet saattavat haitata ilman virtaamista kiukaan läpi ja tällä tavoin hidastaa sen lämpenemistä.
- Varmista, että löylyhuoneen ilmanvaihto toimii asianmukaisesti.

### LÖYLYHUONE LÄMPENEE NOPEASTI, MUTTA KIUKAAN LÄMPÖTILA EI OLE RIITTÄVÄ. KIUKAALLE HEITETTY VESI VALUU POIS.

- Varmista, että kiukaan teho on riittävä. Jos kiukaan teho on löylyhuoneeseen sopiva, oikealla tavalla lämpöeristetyin löylyhuoneen lämmittämiseen haluttuun lämpötilaan kuluu 45–90 minuuttia.
- Varmista, että löylyhuoneen ilmanvaihto toimii asianmukaisesti.
- Pienennä kiuas-ilmastointilaitteen tuulettimen nopeutta.

### SEINÄN PÄÄLLYSTE TAI MUU MATERIAALI KIUKAAN LÄHELLÄ TUMMUU NOPEASTI.

- Noudata turvaetäisyyksivaatimuksia.
- Tarkista kiuaskivet. Liian tiiviisti ladotut kivet, kivien painuminen / tiivistyminen kiukaan sisällä tai väärin valitut kivet saattavat haitata ilman virtaamista kiukaan läpi ja tällä tavoin hidastaa sen lämpenemistä.
- Varmista, että vastukset eivät näy kivien välistä. Jos vastukset ovat näkyvissä, siirrä kiviä niiden jäähtyneitä siten, että vastukset ovat kokonaan piilossa.

**HUOM!** Liian harvaan ladotut kivet aiheuttavat vastusten ylikuumentumista ja huonontavat löylyhuoneen sisäilmaa. Tämä voi aiheuttaa tulipalon vaaran!

### LÖYLYHUONEEN PUUPINNAT TUMMUVAT AJAN MITTAAN.

Tummumista saattavat nopeuttaa:

- auringonvalo;
- kiukaasta heijastuva lämpö;
- seinän suoja-aineet (suoja-aineiden lämmönkestävyys on usein huono);
- kiuaskivistä irtoavat hiukkaset.

### KIUKAASTA TULEE HAJUA.

- Katso kohta SAUNAN LÄMMITTÄMINEN sivu 254.

## Sa

- Kuuma kiuas saattaa vahvistaa ilmaan sekoittuneita hajuja, jotka eivät ole peräisin kiukaasta. Hajun aiheuttajia saattavat olla esim. maali, liima, öljy tai hajusteet.

### KIUAS-ILMASTOINTILAITTEESTA KUULUU ÄÄNTÄ.

- Tuulettimen toiminta aiheuttaa normaalistikin jonkin verran ääntä. Jos ääni ei ole tasainen ja/tai siihen liittyy metallimaista sävyä, tuuletin pitää todennäköisesti huoltaa tai korjata. Tarkista, että tuulettimen ilma-aukoissa ei ole vieraita esineitä.
- Kokeile kytkeä tuuletin pienemmälle nopeudelle.
- Satunnaisten paukahdusten syynä saattaa olla myös kiukaan kuumuuden aiheuttama kivien halkeilu.
- Kiukaan osien lämpölaajeneminen saattaa myös aiheuttaa ääniä kiukaan lämmitessä.

### KIUASKIVIEN LADONTA

Kiuaskivien ladonnalla on suuri merkitys kiukaan toiminnalle.

#### Huomioi seuraavat seikat:

- Kiuaskivien halkaisijan tulee olla 5–10 cm.

- Kiukaassa tulee käyttää vain kiukaisiin tarkoitettuja kiuaskiviä.
- Kiukaassa ei saa käyttää kevyitä, huokoisia keraamisia kiviä tai pehmeitä kiviä. Ne eivät varastoi riittävästi lämpöä ja saattavat aiheuttaa lämmitysvastusten vaurioitumisen.
- Puhdista kiuaskivet vedellä ennen niiden latomista kiukaaseen.

**HUOM!** Käytä Saunum-laitteissa aina korkealuokkaisia puhdistettuja kiuaskiviä. Teräväreunaiset rikutut kivet voivat vahingoittaa lämmitysvastuksia ja lyhentää niiden käyttöikää.

Kivien ladonnassa on huomioitava seuraavat seikat:

- Älä anna kivien pudota kiukaaseen.
- Älä yritä painaa kiviä vastusten väliin voimaa käyttäen.
- Älä anna kiuaskivien tukeutua koko painollaan vastuksiin, vaan lado kivet siten, että ne tukeutuvat toisiinsa.
- Älä lado kiukaaseen liikaa kiviä.
- Kiuas-ilmastointilaitteen kivitilan tai tuulettimen lähelle ei saa laittaa esineitä, jotka saattavat muuttaa kiuas-ilmastointilaitteen kautta virtaavan ilman määrää tai suuntaa.

## Sa

KIUAS-ILMASTOINTI-  
LAITTEEN HUOLTO

Kiuaskivet rapautuvat ajan mittaan suurten lämpötilavaihtelujen seurauksena. Kiuaskivet on ladottava uudelleen vähintään kerran vuodessa, ja jos saunaa käytetään useammin, kivet on ladottava uudelleen useammin. Kivien uudelleen latomisen yhteydessä kiukaan pohjalta poistetaan kivensirpaleet, ja rapautuneet kivet vaihdetaan uusiin. Tällä tavoin ylläpidetään kiukaan optimaalista lämmitystehoa ja vältetään ylikuumenemisen vaaraa.

Jos kiuas-ilmastointilaitteessa kanssa käytetään myös Himalajan suolapalloja, on suositeltavaa, että suolapallot tarkistetaan kerran vuodessa ja tarvittaessa vaihdetaan kuluneet ja rikkoontuneet pallot uusiin. Varmista, että kiuas-ilmastointilaitteen tuulettimen ilma-aukoissa ei ole vieraita esineitä.

**VARO!** Ennen kiuas-ilmastointilaitteen huoltoa ja puhdistamista katkaise laitteen sähkösyöttö ja odota, kunnes laitteen liikkuvat osat ovat pysähtyneet.

Varmista ennen kiuas-ilmastointilaitteen huoltoa ja puhdistamista, että:

- kiuas-ilmastointilaitte on irrotettu sähköverkosta (laitteen pääkytkimestä ja sulakkeiden avulla);
- laitteen tuuletin on täysin pysähdyksissä;

- töiden suorittamisessa noudatetaan työturvallisuusohjeita ja käytetään henkilösuojaimia;
- liitäntäkaapelit ovat vahingoittumattomat. Jos liitäntäkaapeleissa todetaan vaurioita, pätevän sähköasentajan on annettava vaihtaa ne uusiin voimassa olevia standardeja ja määräyksiä noudattaen.

Laitteen kotelo voidaan puhdistaa vedellä kostutetulla liinalla. Kotelon puhdistamiseen ei saa käyttää painepesuria, juoksevaa vettä, kemiallisia puhdistusaineita eikä liuottimia!

Kalkkisaostumat voidaan poistaa 10 %:n sitruunahappoliuoksella ja vedellä huuhdellen.

Ylimääräinen lika saattaa heikentää tuulettimen roottorin tasapainoa, minkä seurauksena melu voimistuu kiuas-ilmastointilaitteen ollessa toiminnassa. Lisääntynyt melu saattaa johtua myös tuulettimen siipien vahingoittumisesta tai taipumisesta. Varmista, että tuulettimen roottoreiden pyörimisalueella ei ole vieraita esineitä tai suolapalloja.

Tuuletinta ei tarvitse yleensä puhdistaa useammin kuin kerran vuodessa. Tuulettimen puhdistus tulee sallia vain Saunumin valtuuttamalle huoltohenkilöstölle.

Jos tuulettimen puhdistamiseen käytetään paineilmaa, tuulettimen roottori saattaa vaurioitua pysyvästi!

## Sa

Tuulettimen laakerit ovat huoltovapaita ja jos niissä on ongelmia, laakerit on vaihdettava uusiin.

Kaikki kiuas-ilmastointilaitteen sähköliitännät olisi hyvä tarkistaa vähintään kerran vuodessa. Tarkastus tulee antaa asianmukaisen pätevyyden omaavan asiantuntijan suoritettavaksi.

## LÖYLYHUONE

Kiuas-ilmastointilaitteen asentamisen edellytyksenä on asianmukaisesti valmisteltu löylyhuone. Seinien ja kattojen lämpöeristyksen on oltava riittävä, sillä muutoin löylyhuoneen lämmittämiseen kuluu suhteettoman paljon aikaa ja energiaa. Kiukaan ja tuulettimen virtakaapelit on merkittävä kytkentätauluun Taulukon 1 mukaisesti (katso sivut 252–253).

LÖYLYHUONEEN  
ILMANVAIHTO

Löylyhuoneen ilman tulee vaihtua vähintään kuusi kertaa tunnissa.

Jos saunassa on käytössä mekaaninen ilmanpoisto, ilman tuloaukko tulee sijoittaa kiuas-ilmastointilaitteen yläpuolelle. Jos käytössä on luonnollinen painovoimainen

ilmanvaihto, ilman tuloaukko tulee sijoittaa kiuas-ilmastointilaitteen alle tai sen viereen. Ilman tuloputken halkaisijan tulee olla 80–100 mm.

Ilman poistoaukon tulee olla lattian lähellä, mahdollisimman kaukana kiuas-ilmastointilaitteesta. Ilman poistoputken halkaisijan on oltava kaksi kertaa suurempi kuin ilman tuloputken halkaisija. Jos ilman poistoaukko on pesutilassa, löylyhuoneen oven alle tulee jättää vähintään 100 mm väli.

**Poistoilmanvaihto on pakollinen saunassa.**

Kuivatuksen (valinnainen) ilmanvaihtoaukko on sijoitettava kiuas-ilmastointilaitteen suhteen vastakkaisen seinän puolelle kattoon (sen tulee olla suljettuna lämmittämisen ja saunomisen aikana). Saunan voidaan myös antaa kuivua jättämällä saunomisen jälkeen saunan ovi auki.

Saunan ilmanvaihtojärjestelmän on suositusten mukaan estettävä saunan poistoilman ohjautuminen muihin sisätiloihin, erityisesti jos kiuas-ilmastointilaitteessa käytetään suolapalloja.

Sa

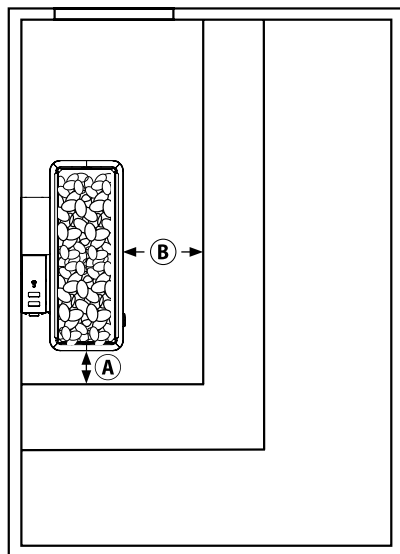
## KIUKAAN TEHO

Kun seinä- ja lattiapäällysmateriaalin takana on riittävä eristys, kiukaan teho määritetään löylyhuoneen tilavuuden perusteella,  $1 \text{ kW} / \text{m}^3$ . Jos seinissä ei ole lämpöeristeitä (tiili, lasitiili, lasi, betoni, lattialaatat tms.), on valittava tehokkaampi kiuas. Jokaista eristeetöntä löylyhuoneen seinän neliometriä kohtaan on tilavuuteen lisättävä  $1,2 \text{ m}^3$ .

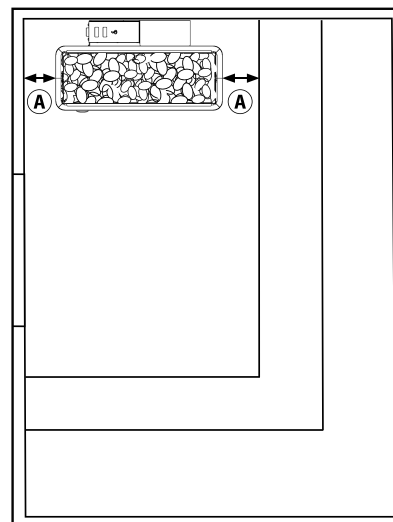
Jos löylyhuoneen tilavuus on **esimerkiksi**  $10 \text{ m}^3$  ja löylyhuoneessa on lasiovi, laskeetaan löylyhuoneen tehon tarpeeksi  $12 \text{ m}^3$ . Jos löylyhuoneessa on hirsiseinä, tilavuus kerrataan 1,5:llä. Löylyhuoneen optimaaliset koot Saunum Premium -kiuas-ilmastointilaitteelle on annettu Taulukossa 1 (katso sivut 252–253). Löylyhuoneen korkeus on yleensä 2 100–2 300 mm.

Saunum Premium -kiuas-ilmastointilaitteen asennuksen minimikorkeus on 2 000 mm.

**Saunum Premium laitteen turvalliset etäisyydet ja suositeltava sijoituspaikka löylyhuoneessa.**



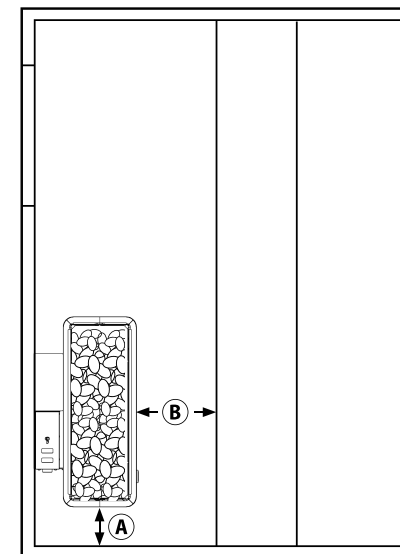
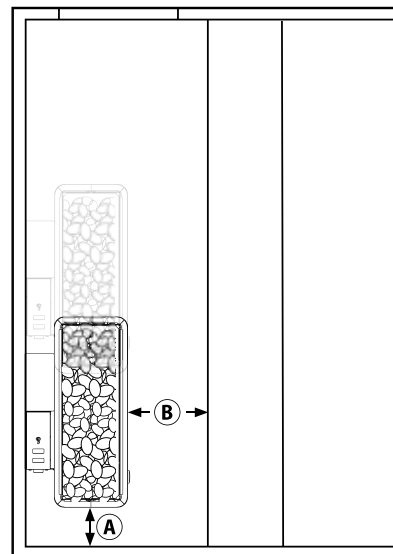
Sa



• Saunum Premium 6 kW – A > 50 mm and B > 75 mm

• Saunum Premium 9 kW – A > 50 mm and B > 100 mm

**Laite voidaan sijoittaa sen takaosa vasten löylyhuoneen seinäpaneelia.**



Sa

## ENNEN ASENTAMISTA

Kiuas-ilmastointilaitteen asentamisen saa suorittaa vain pätevä sähköasentaja. Laite tulee asentaa vakaaseen paikkaan ja se tulee kytkeä kiinteästi käyttöympäristön lämpötilavaatimusten mukaisella kaapelilla. Laitteen liitäntäkoskettimeen on kytkettävä suojavaadoitus (PE) vähintään 2,5 mm<sup>2</sup>:n johdolla. Laitteen virransyöttö tulee suojata ohjauslaitteen ylijännitesulakkeella. Vaadittujen ylijännitesulakkeiden koot ja liitäntäkaapeleiden mitat on annettu Taulukossa 1 (katso sivut 252–253).

Saunum Premium -kiuas-ilmastointilaitteen ohjaamiseen voidaan käyttää kaikkia hyväksytyjä saunan ohjausyksiköitä, joiden toimintateho vastaa kyseisen mallin tehoa Taulukon 1 mukaisesti (katso sivut 252–253).

### Perehdy asennusohjeisiin ennen asennuksen aloittamista ja huomioi seuraavat seikat:

- Kiukaan teho ja tyyppi soveltuvat käytettäväksi kyseisessä löylyhuoneessa. Löylyhuoneen tilavuudet ja kiukaan tehot on esitetty Taulukossa 1 (katso sivut 252–253).
- Sähköverkon jännite soveltuu kiuas-ilmastointilaitteelle.
- Kiuas-ilmastointilaitteen asennuskohteessa noudatetaan Taulukossa 1 (katso sivut 252–253) annettuja kiuaskotelon minimiturvaetäisyyksiä.

- Mallien mitat (seinään kiinnitettävä ja jalustalle asennettava) on annettu sivulla 266 (MITAT).
- Lisäksi on varmistettava, että kiuas-ilmastointilaitteen tuulettimen poistoaukon reuna on lauteiden reunaan alempana lava alumisest servast madalamal.
- Laitteen poistoilma-aukon eteen ei saa sijoittaa esteitä, sillä poistuvan ilmavirran pitää päästä vapaasti leviämään koko löylyhuoneeseen.
- Laite toimii tehokkaasti, kun sen hormisuoja asennetaan löylyhuoneen kattoa vasten ja ilman ulostulo suunnataan lauteiden alle.

Laitetta ei kuitenkaan saa asentaa siten, että kiukaan yläreuna tulee korkeammalle kuin 80 cm lattiasta. Laite on suunniteltu asennettavaksi seinään 6 mm:n (alaosa) ja 5 mm:n (hormisuoja) ruuveilla. **Kiuas-ilmastointilaitteen asennuspaikan kohdalla olevan seinän tulee kantaa vähintään 130 kg:n paino.** Kiinnitystarvikkeet tulee valita kuormaa kantavan rakenteen perusteella. Asennustavalla tulee varmistaa, että laite pysyy lujasti kiinni seinässä.

**Turvaetäisyyksiä on noudatettava, sillä niiden noudattamatta jättäminen saattaa aiheuttaa tulipalon vaaran. Löylyhuoneeseen saa asentaa vain yhden kiuas-ilmastointilaitteen.**

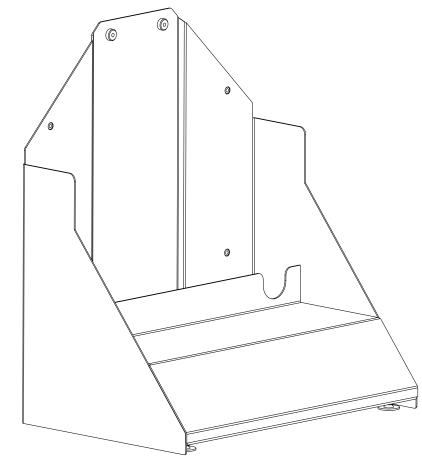
Sa

## KIUKAAN LATTIAJALUSTA

Jos Saunum Premium -laitetta ei ole mahdollista kiinnittää seinään (esim. seinä ei kestä kiukaan painoa kivien kanssa tai kyseessä on lasiseinä), kiuas-ilmastointilaitte voidaan asentaa lattiajalustalle (katso ASENNUSOHJEET, sivut 272). Lattiajalusta ei sisällä vakiotoimitukseen, vaan se tulee tilata erikseen jälleenmyyjältä.

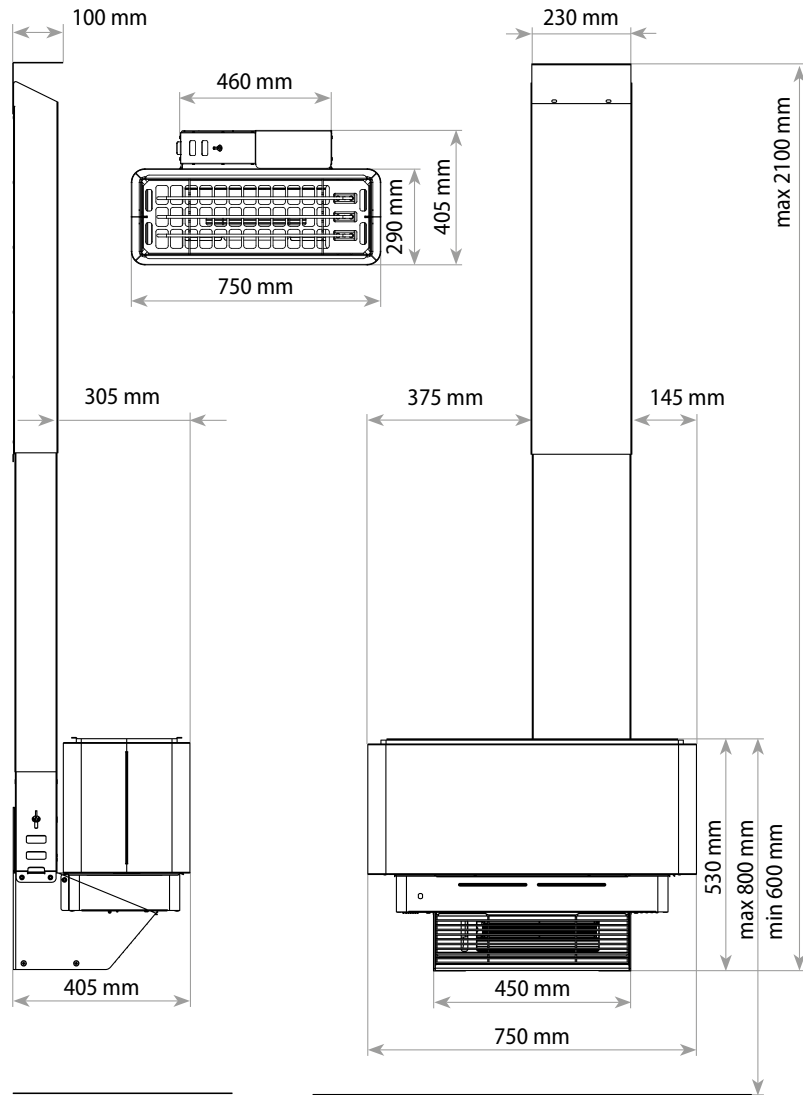
Jalustalle asennettaessa laitetta ei tule sijoittaa vapaasti seisovaksi keskelle löylyhuonetta eikä sitä tule käyttää sellaisena. Jalusta tulee sijoittaa tasaiselle lattialle seinää vasten ja se tulee ankkuroida tukevasti seinään. Jalat tulee säätää siten, että laite asettuu vaakasuoraan.

Suosittellemme suojakaiteiden asentamista kiuas-ilmastointilaitteen ympärille kiukaan kosketuksiin joutumisesta johtuvien palovammojen ehkäisemiseksi. Jos jalustaa ei voi kiinnittää seinää ruuveilla (esim. lasiseinä), suojakaiteet ovat välttämättömät.



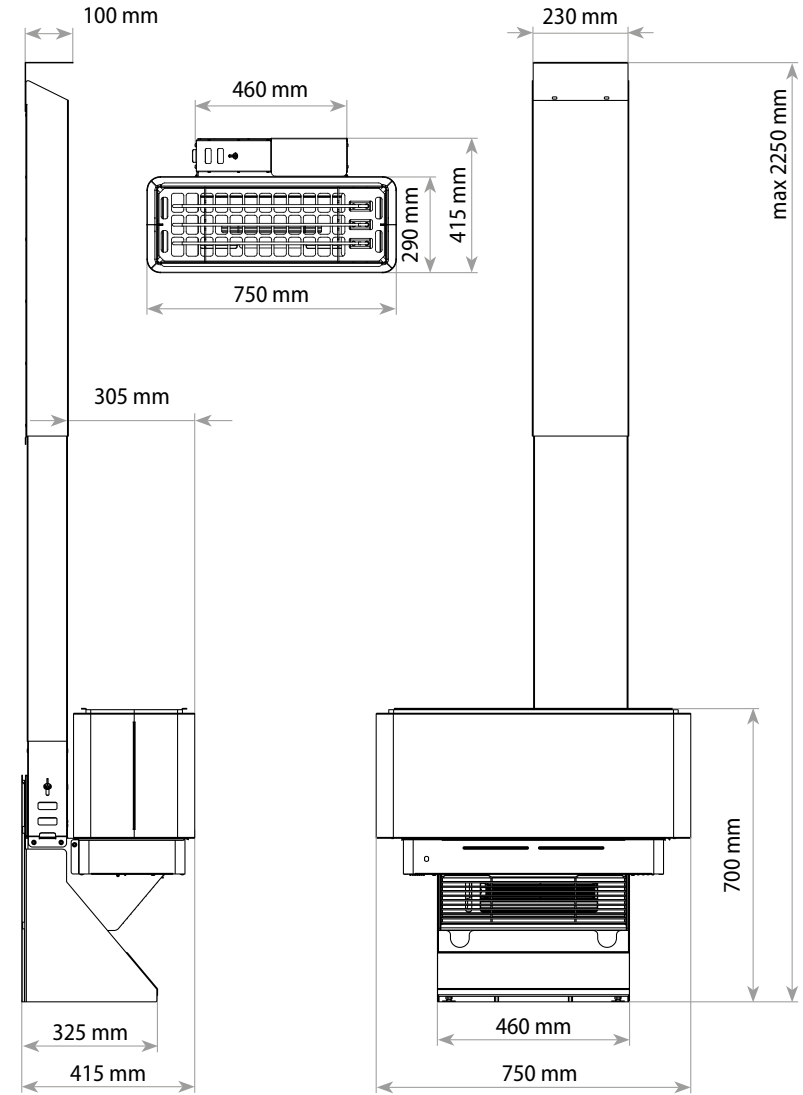
Sa

## Saunum Premium



Sa

## Saunum Premium jalustalla (valinnainen)



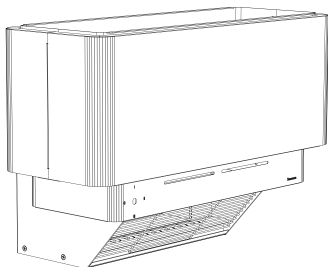
Sa

Sa

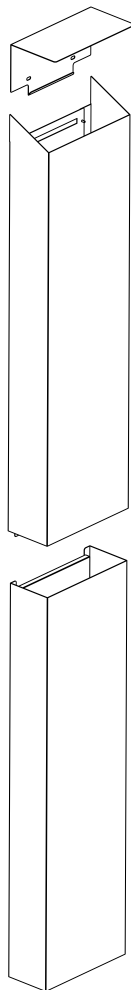
## TUOTTEEN TOIMITUSSISÄLTÖ

Tuotteen osat toimitetaan kolmessa pakkauksessa. 1) Kiuas, 2) kiukaan hormi, 3) lattiajalusta.

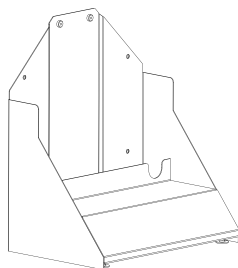
1.



2.

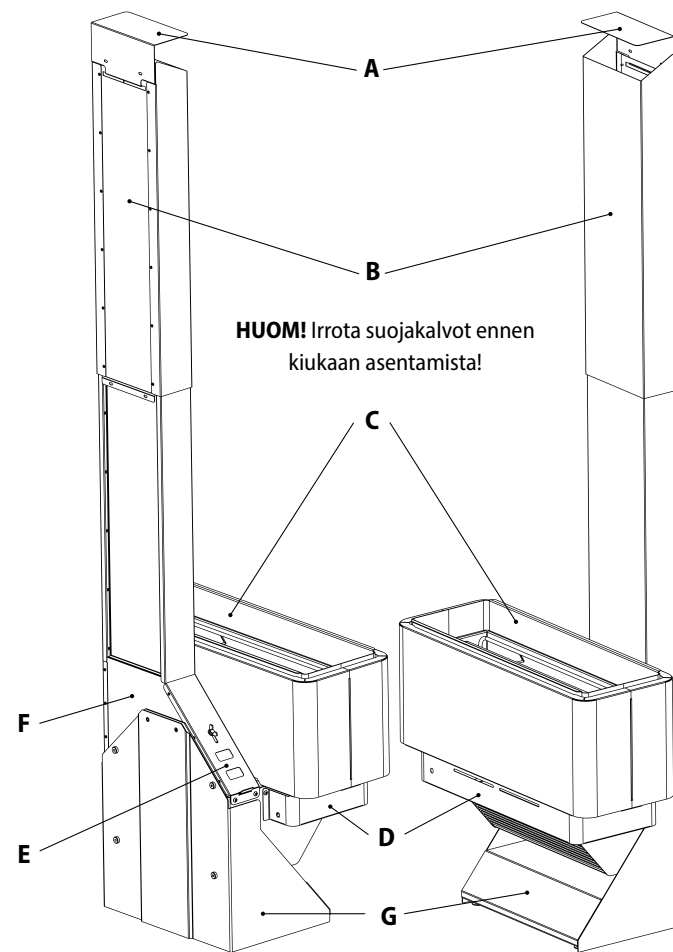


3.



Laitteen käyttöön tarvittavat osat, jotka eivät sisälly Saunum Premiumin vakio-toimitukseen: ohjausyksiköt, virtajohdot, kivet ja seinäasennustarvikkeet. Seinäasennustarvikkeet (ruuvit, ankkurit, tapit jne.) tulee valita asennuspaikan kantavan rakenteen ominaisuuksien mukaan, ja ne eivät sisälly Saunum Premiumin toimitukseen.

**HUOM!** Lattiajalusta ei sisälly vakio-toimitukseen.



**HUOM!** Irrota suojakalvot ennen kiukaan asentamista!

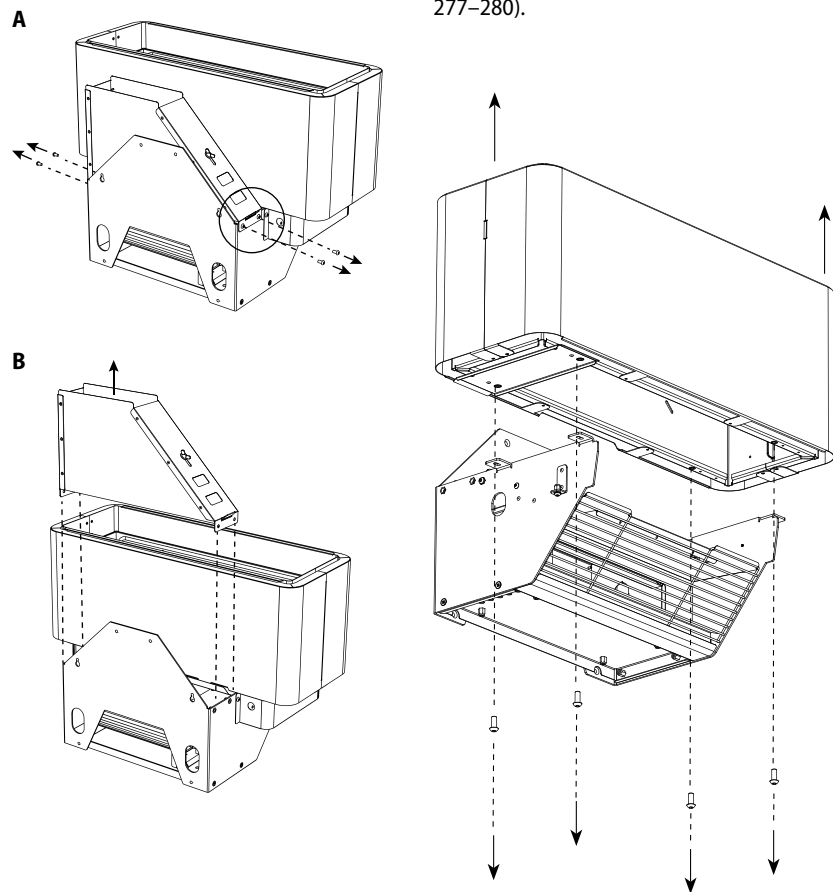
A – Hormisuojaus  
B – Teleskooppihormi  
C – Kivikori  
D – Etupaneeli

E – Löylyhuoneen jäähdytyspelti  
F – Hormisokkeli  
G – Lattiajalusta (valinnainen)

Sa

## SEINÄASENNUS

1. Löysää neljä hormisokkelin kiinnityspulttia (A), ja nosta hormisokkeli (B) pois paikaltaan.

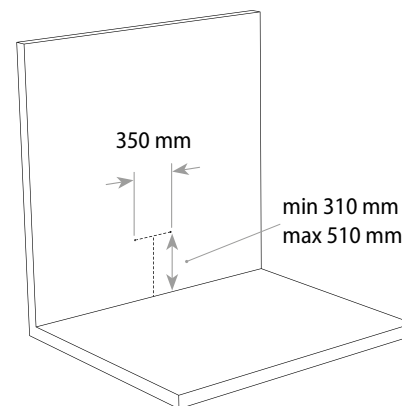
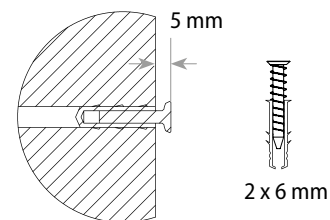


2. Irrota kivikori päämoduulista. Jos kivikori on jo kiinnitetty pulteilla päämoduuliin, irrota kivikorin pohjan alla olevat pultit (4 kpl) ja nosta sitten kivikori pois. Jotta pääsisit käsiksi takaosan pultteihin, irrota etupaneeli (katso SÄHKÖLIITÄNNÄT sivulla 277–280).

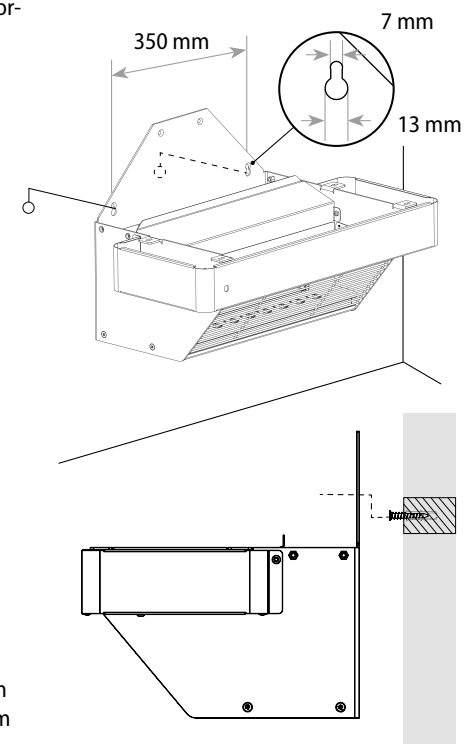
Sa

3. Kiinnitä seinäkiinnikkeen keskireikiin tulevat ruuvit ja jättäen ne ulos seinästä n. 5 mm.

**HUOM!** Varmista, että asennusreikien korkeus lattiasta on 310–510 mm.



4. Nosta laite seinää vasten niin, että seinässä olevat ruuvit asettuvat laitteen takaosassa oleviin reikiin.

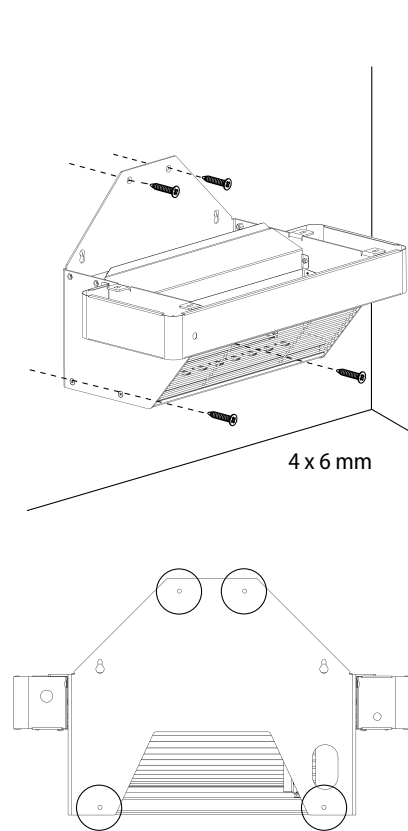


**HUOM!** Kun nostat päämoduulia, varmista, että etupaneeli ei jää roikkumaan virtajohdosta! Kiinnitä etupaneeli päämoduuliin vähintään kahdella ruuvilla.

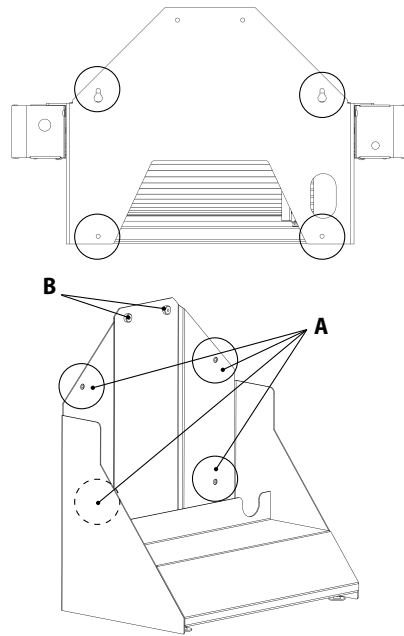


Sa

5. Kiinnitä laite seinään asentamalla loput neljä kiinnitysruuvia ylempiin ja alempiin kiinnitysreikiin. Laite on nyt kiinnitetty paikalleen seinään kuudesta kohdasta.



5.1. Asennus jalustalle (katso KIUKAAN JALUSTA sivut 265). Kiinnitä laite jalustaan neljällä ruuvilla (A).

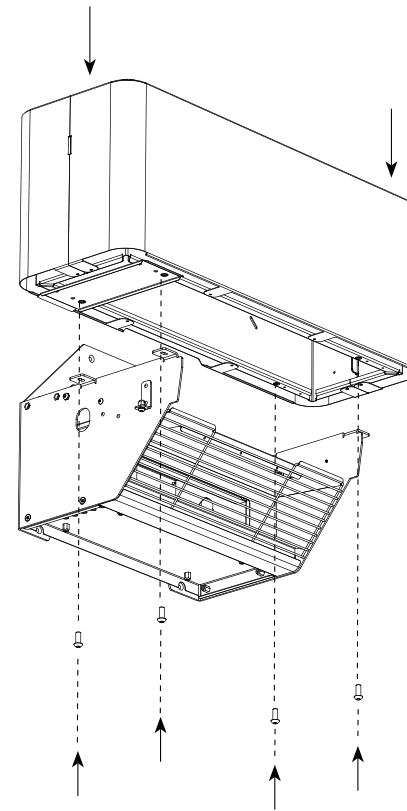


Aseta sitten laite paikalleen. Jalusta tulee sijoittaa tasaiselle lattialle seinää vasten. Säädä jalat siten, että laite asettuu vaaka-suoraan.

**HUOM!** Laite tulee kiinnittää seinään kahdesta ylimmästä asennusreiästä (B), jotta se ei pääse kaatumaan. Jos kiuas-ilmastointilaitetta ei voi kiinnittää seinään, sen ympärille on asennettava suojakaiteet!

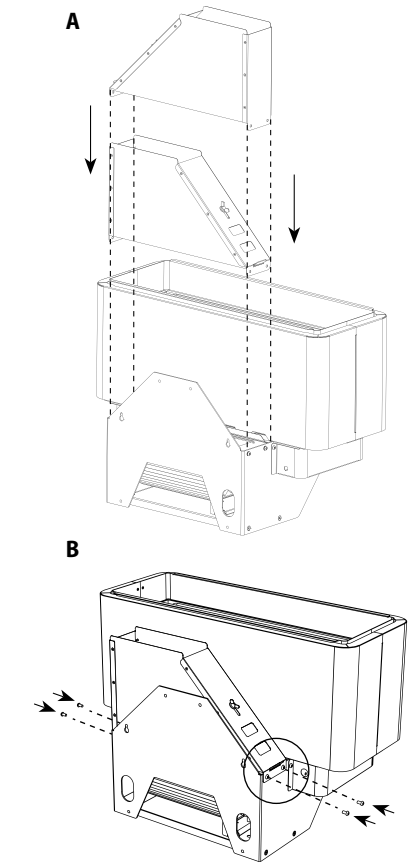
Sa

6. Aseta kivikori takaisin paikalleen ja kiinnitä se paikalleen neljällä ruuvilla.



7. Asenna hormisokkeli takaisin paikalleen (A).

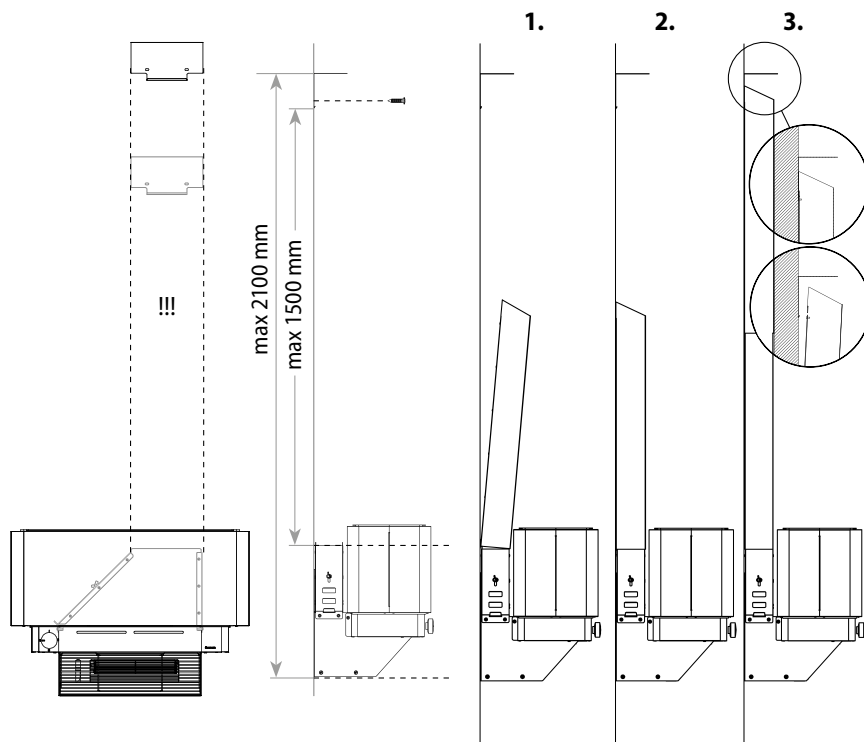
**HUOM!** Hormisokkeli voidaan asentaa kahteen eri asentoon siten, että hormi tulee kiukaan vasemmalle tai oikealle puolelle. Tämä voidaan valita asennuksen yhteydessä. Kiinnitä hormisokkeli paikalleen neljällä ruuvilla (B).



Sa

8. Asenna hormisuoja löylyhuoneen kattoon kahdella 5 mm:n ruuvilla.

**HUOM!** Varmista, että hormisuoja asettuu samaan linjaan hormin sokkelissa olevan aukon kanssa!



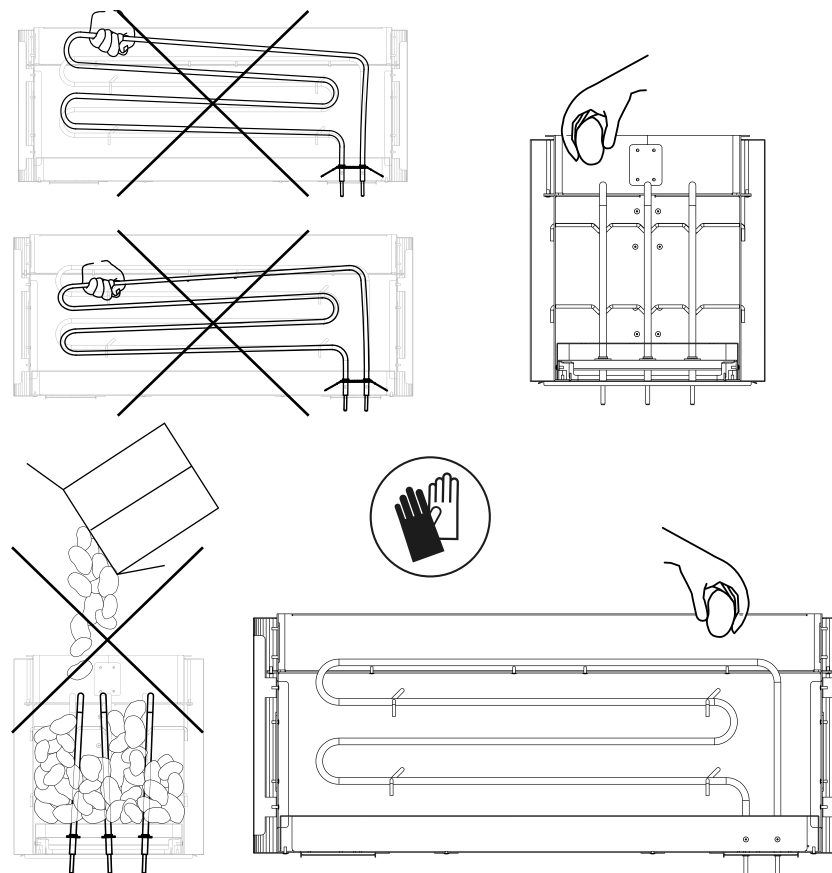
9. Aseta hormin alapää hormisokkeliin.

10. Yhdistä hormin ylä- ja alaosa toisiinsa ja ripusta yläosa hormisuojaan.

11. Asenna lämmitysvastusten tukitangot paikalleen (katso LÄMMITYSVASTUSTEN ASENNUS JA VAIHTO sivu 281).

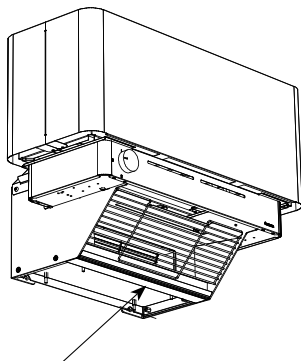
12. Täytä kivikori kiuaskivillä (katso KIUASKIVIEN LADONTA sivu 259).

Sa



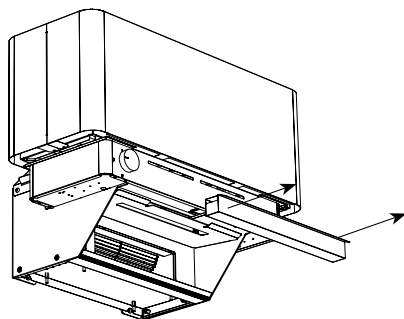
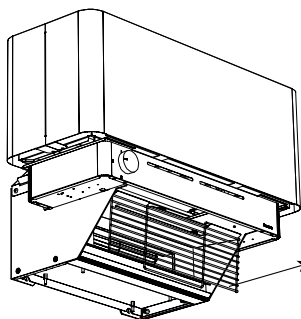
Sa

13. Aseta suolapallot paikalleen (katso HIMALAJAN SUOLAPALLOJEN KÄYTTÖ sivu 255).



Nosta ilman ulostuloaukon säleikkö pois paikaltaan (katso suunta kaaviokuvasta) ja aseta suolapallot pidikkeisiinsä. Asenna säleikkö takaisin paikalleen suolapallojen asettamisen jälkeen.

**Kiuas-ilmastointilaitetta saa käyttää vain silloin, kun ilmanpoistoaukon säleikkö on asennettu paikalleen!**



Sa

## SÄHKÖLIITÄNNÄT

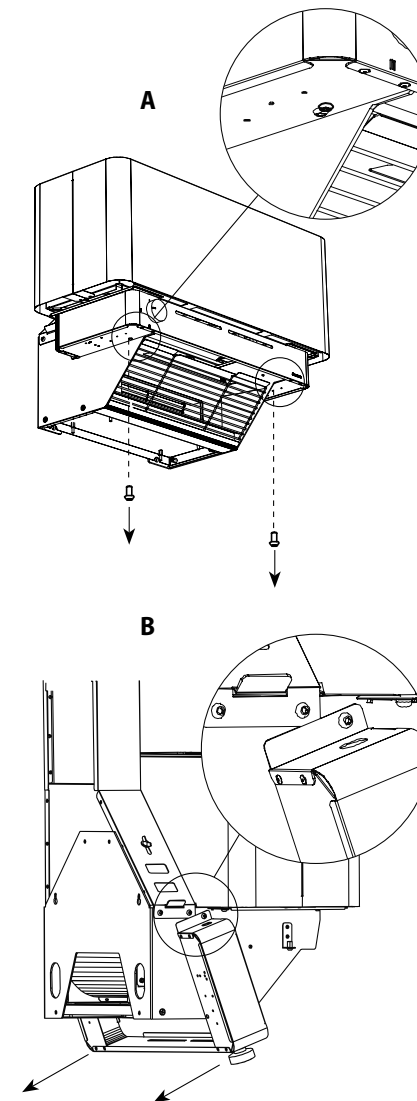
Kytke lämmitysvastukset kytkentäkaavion mukaisesti, sivu 278.

Yhdistä kiuas-ilmastointilaite ohjauslaitteeseen.

**Laitteen sähköliitännän saa suorittaa vain sähköasentajan pätevyyden omaava henkilö voimassa olevien standardien ja vaatimusten mukaisesti. Ennen kuin teet sähköliitäntöjä, varmista, että laitteen automaattisulake on kytketty pois päältä sähköpaneelista!**

Kiuas-ilmastointilaite tulee kytkeä puoli-kiinteästi löylyhuoneen seinässä olevaan kytkentärasiaan. Liitäntärasian on oltava roiskesuojattu ja sen enimmäiskorkeuden lattiasta tulee olla 500 mm.

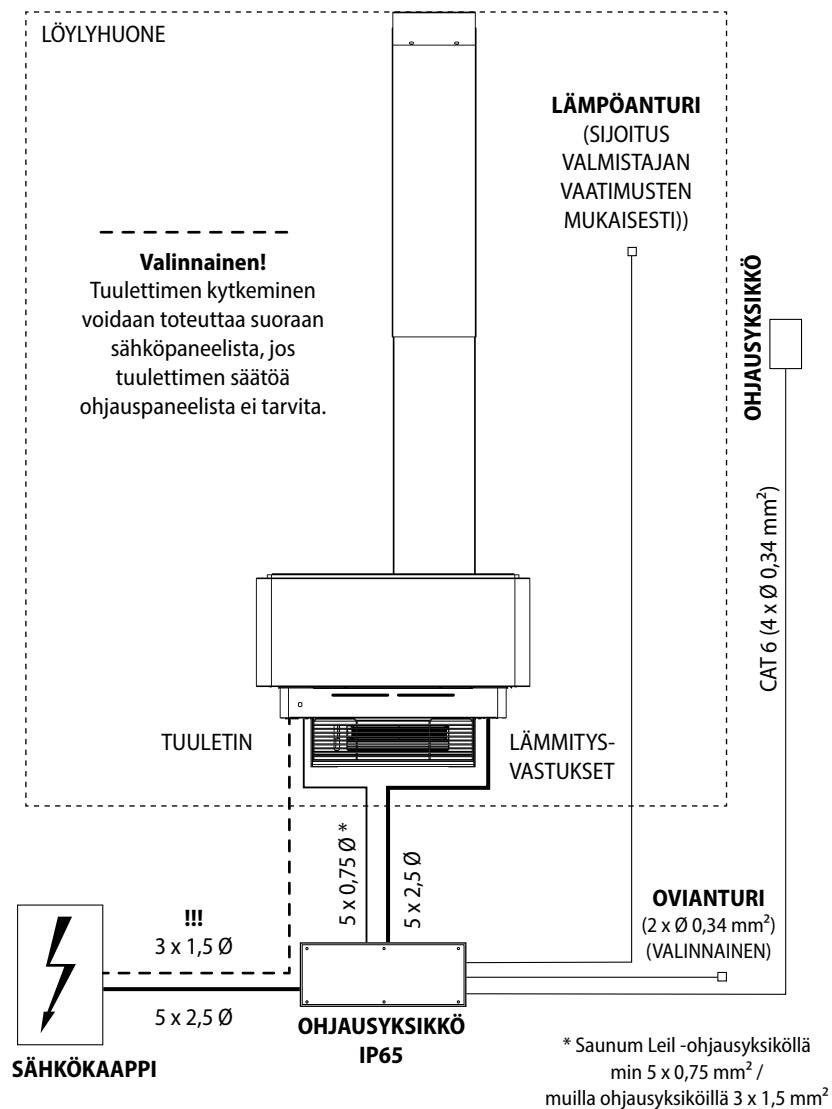
Liitäntäkaapelin tulee olla kumieristetty H07RN-F-tyyppinen kaapeli tai vastaava. Laitteen sähköliitäntöihin käsiksi pääsemiseksi on avattava kivikorin alapuolella oleva etupaneeli. Jotta voisit irrottaa paneelin, irrota laitteen alle sijoitetut kaksi pulttia (katso kuva A alla). Työn helpottamiseksi voit myös irrottaa sivuilla olevat pultit (B).





Sa

## SAUNUM PREMIUMIN VIRTAKAAPELIT



Sa

SÄHKÖKIUKAAN  
ERISTYSVASTUS

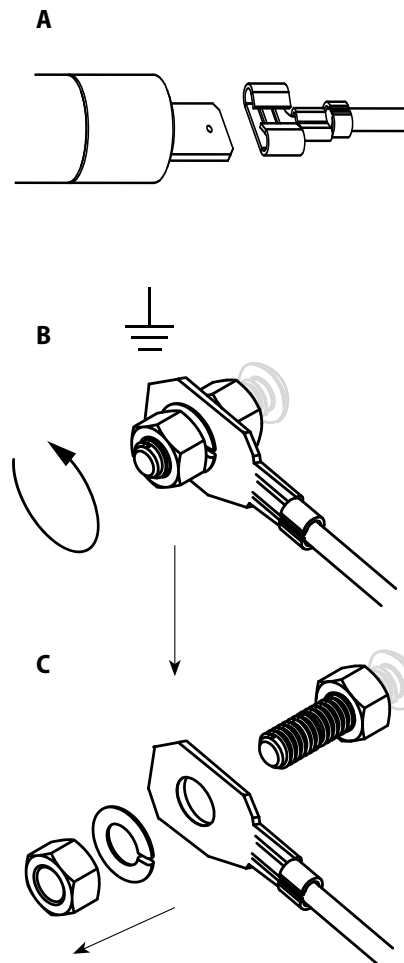
Sähköasennuksen lopputarkastuksessa kiuas-ilmastointilaitteen eristysvastuksen mittauksissa saatetaan havaita vuotoa, joka aiheutuu siitä, että eristemateriaali on imenyt kosteutta ilmasta (säilytys, kuljetus). Kosteus poistuu, kun kiuas-ilmastointilaitetta käytetään muutaman kerran.

**HUOM! Älä kytke kiuasta sähköverkkoon vikavirtasuojan kautta!**

LÄMMITYSVASTUSTEN  
ASENNUS JA VAIHTO

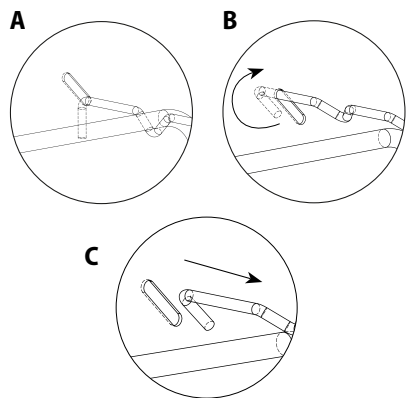
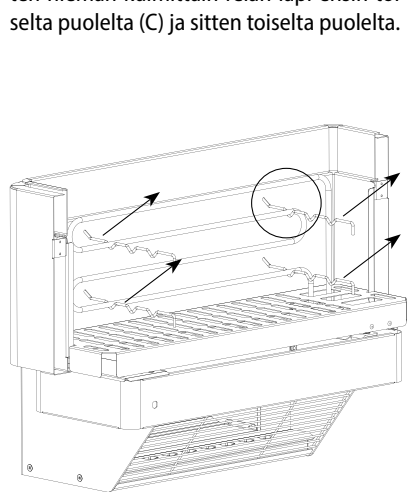
**HUOM! Ennen lämmitysvastusten vaihtamista varmista, että laitteen automaattisuojake on kytketty pois päältä sähköpaneelistä!**

Lämmitysvastukset on kiinnitetty laitteeseen kaapeliliittimillä (A). Irrota kaapeliliittimet (6) ennen lämmitysvastusten irrottamista. Irrota suojamaadoitus kiukaan kiinnityspultista (B, C).

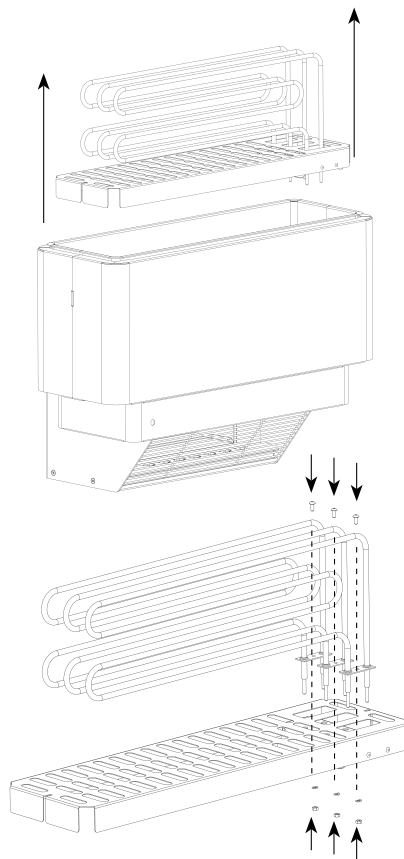


Sa

Irrota sitten lämmitysvastusten (A) neljä tukitankoa. Käännä tankoa niin, että tankon taivutettu pää tulee yhdensuuntaiseksi kotelon (B) reiän kanssa, ja vedä tanko sitten hieman kulmittain reiän läpi ensin toiselta puolelta (C) ja sitten toiselta puolelta.



Voit nyt nostaa lämmitysvastukset pois kivi-korista pohjalevyn kanssa. Lämmitysvastukset on kiinnitetty pohjalevyn ruuveilla.



Asenna uudet lämmitysvastukset paikalleen päinvastaisessa järjestyksessä.

Sa

## SAUNUM-TUOTTEIDEN YLEISET TAKUUEHDOT

Saunumin Saunum-laitteille antama takuu kattaa tuotteessa ostopäivän jälkeisenä määriteltynä takuuaikana esiintyvät materiaali- ja valmistusvirheet. Jos laitteessa ilmenee takuuaikana materiaalien laadusta tai valmistuksesta johtuvia virheitä tai puutteita, Saunumin suosittelemat huolto-tekniikat korjaavat tai vaihtavat laitteen tai sen viallisen osan ilman työ- ja varaosakustannuksia alla lueteltujen ehtojen täytyessä. Saunum pidättää oikeuden päättää, vaihdetaanko viallinen osa tai koko laite uuteen. Vaihdetut vialliset osat ovat Saunumin omaisuutta.

### Takuuehdot:

1. Takuu on voimassa vain sillä ehdolla, että reklamaation mukana toimitetaan asianmukaisesti täytetty asennustodistus;
2. Laitteen asennus on suoritettu pätevän sähköasentajan toimesta voimassa olevia määräyksiä noudattaen;
3. Kiuas-ilmastointilaitteen takuuaika yksityiskäytössä on kaksi (2) vuotta;
4. Kiuas-ilmastointilaitteen takuuaika julkisessa saunassa on yksi (1) vuosi.

### Takuu ei kata:

1. Laitteen tavanomainen huolto ja puhdistus sekä tavanomaisen kulumisen aiheuttama osien vaihto;
2. Laitteen muokkaaminen tai sen rakenteen muuttaminen muuhun kuin käyttöohjeessa kuvattuun käyttötarkoitukseen;
3. Kuljetuksen aiheuttamat riskit;
4. Laitteen epäasianmukaisen käytön aiheuttamat vahingot;
5. Muun kuin laitteen asennusohjeiden mukaisen asennuksen aiheuttamat vahingot;
6. Laitteen korjaus muun kuin Saunumin valtuuttaman korjausteknikon (huoltoteknikko) toimesta;
7. Onnettomuudet, salaman isku, vesi, tulipalo, epäasianmukaisesti toteutettu ilmanvaihto tai muu vastaava tekijä, johon Saunum ei voi vaikuttaa;
8. Vahingot, jotka ovat aiheutuneet muiden kuin Saunumin suosittelemien kiuaskivien ja suolapallojen käytöstä;
9. Lämmitysvastukset ja suolapallot.

Sa



Saunum Saunas OÜ:n valtuuttamien asentajien ja huoltoasiantuntijoiden yhteystiedot löytyvät Saunum Saunas OÜ:n kotisivulta [www.saunum.com](http://www.saunum.com) tai ottamalla yhteyttä osoitteeseen [info@saunum.com](mailto:info@saunum.com).

Saunum-laitteen huolto-ohjeet on annettu käyttöohjeissa.

**HUOM!** Kiuas-ilmastointilaitteen yhdistämisen sähköverkkoon saa suorittaa vain pätevä sähköasentaja voimassa olevia määräyksiä noudattaen.

Lue käyttöohje huolellisesti **ennen laitteen käytön aloittamista** ja säilytä se mahdollista tulevaa käyttöä varten turvallisessa paikassa, jossa käyttöohje on helposti saatavilla.

Sa

## ASENNUSTODISTUS

Ostopäivä: \_\_\_\_\_

Kiukaan tyyppi: \_\_\_\_\_

Tarra/sarjanumero: \_\_\_\_\_ Asennuksen päivämäärä: \_\_\_\_\_

Asennuspaikka: \_\_\_\_\_

Asentaja: \_\_\_\_\_

Tarkastaja: \_\_\_\_\_

Päivämäärä, allekirjoitus: \_\_\_\_\_

Toteutettujen töiden kuvaus: \_\_\_\_\_

Kaikki asennuksessa tarvittavat osat ovat saatavilla \_\_\_\_\_

Laitteessa ei ole värivirheitä tai painumia \_\_\_\_\_

Asennus seinään tai lattiaan ohjeiden mukaisesti \_\_\_\_\_

Sähköliitännät on tehty asennusohjeiden mukaisesti \_\_\_\_\_

Kaikki lämmitysvastukset toimivat asianmukaisesti \_\_\_\_\_

Tuulettimen kolme tasoa toimivat / oikeassa järjestyksessä \_\_\_\_\_

Huomautukset: \_\_\_\_\_

Asiakkaan yhteystiedot (nimi, sähköposti): \_\_\_\_\_

Työ hyväksytysti vastaanotettu: \_\_\_\_\_



EY-vaatimustenmukaisuusvakuutus

Valmistaja: Saunum Saunas OÜ  
Osoite: Suur-Paala 19  
11415 Tallinn, Viro

vakuuttaa täten, että tuote:

## Ilmastointilaitteella varustettu saunan kiuas Saunum Premium

täyttää seuraavien Euroopan parlamentin ja neuvoston direktiivien asettamat vaatimukset sillä edellytyksellä, että asennus on toteutettu laitteen valmistajan antaman asennusohjeen ja standardin

EN 60 204-1 "Koneturvallisuus. Koneiden sähkölaitteisto –

Osa 1: Yleiset vaatimukset" mukaisesti:

Konedirektiivi 2006/42/EY

Pienjännitedirektiivi 2014/35/EU

Sähkömagneettisen yhteensopivuuden direktiivi 2014/30/EU.



# Saunum

Bastuaggregat med klimatenhet

## Saunum Premium



Sa

## DEN BÄSTA TÄNKBARA BASTUUPPLEVELSEN

*Jag är väldigt glad över att du har investerat i ett Saunum-aggregat, och jag hoppas att vår innovativa teknik kommer att ge dig en härlig och minnesvärd bastuupplevelse.*

Jag har en examen i värmeteknik och kommer från södra Estland, där min kärlek till bastur började. Det som är speciellt med traditionella rökbastur i det här området är den lägre temperaturen och högre luftfuktigheten jämfört med exempelvis en klassisk finsk bastu. I vanliga bastur är stenvolymen i bastuaggregatet oftast liten. En sådan anordning kan leda till att mycket het ånga plötslig avges och därmed till ojämna temperaturer, där det är väldigt varmt kring ditt huvud och dina axlar samtidigt som det är kallt kring dina fötter. Detta kan vara otrevligt att vara med om och kan också orsaka huvudvärk och fysisk stress. Men i forntida rökbastur och i de amerikanska urinvånarnas bastur hettades stenarna upp tidigare under dagen. Sedan användes värmen i stenarna för att rena kroppen och skapa en verkligt njutbar bastuupplevelse.

Med inspiration från en rökbastu ville jag skapa en innovativ lösning som kombinerar de bästa egenskaperna hos en autentisk bastu med modern teknik, och uppnå en behagligt mild och avslappnande bastuupplevelse utan smärtsamt brännande ånga. Men för att göra det behövde jag först lösa problemet med att åstadkomma en jämn temperatur både på huvud- och fotnivån. Mitt utvecklingsarbete stöddes genom forskning vid Tallinns tekniska universitet, där vi analyserade



Sa

termisk stratifiering och luft rörelser i bastun. Saunum föddes genom samarbete mellan vetenskapligt tänkande och teknisk innovation.

Saunums unika patenterade system för blandning av luftsikt samlar varm ånga som stiger upp i bastuns tak, blandar den med den svalare luften från golvytan och riktar sen en mildare ångström tillbaka med jämnt flöde. Detta ger en njutbar, behaglig värme. Du kan sitta avslappnat i bastun, svettas och få en djup rengöring utan att bli trött. Stenvolymen i våra aggregat är betydligt större än i andra bastuaggregat, vilket är det som skapar det ovanligt behagliga klimatet med långvarig och mjuk ånga.

En fuktigt ångande bastu, ett sanarium, en terapeutisk saltbastu eller en hälsosam arombastu – alla dessa funktioner finns tillgängliga i Saunums aggregat och skapar en verkligt avslappnande bastuupplevelse. När du använder Himalaya-saltkuler i vårt aggregat förångas saltjoner som är hälsosamma för huden och andningsorganen, och ångan cirkulerar dem i luften. Om du lägger till ett aromsystem som blandar ånga och hälsosamma eterisk oljor får du en ännu mer njutbar bastumiljö.

Saunums bastuaggregat passar både för vuxna och barn.

**Jag önskar dig sköna bastubad!**

Andrus Vare  
Saunums skapare



Saunum **önskar dig trevlig användning** av ditt nya bastuaggregat med en innovativ bastuklimatenhet från Saunum.



## INNEHÅLL

Säkerhetsinformation .....	292
<b>ANVÄNDNINGSSINSTRUKTIONER</b>	
Uppvärmning av bastun .....	294
Användning av bastuklimatenheten .....	294
Inställning av temperatur .....	295
Inställning av bastuklimat .....	295
Användning av Himalayasaltkolor .....	295
Hälla vatten på aggregatet .....	296
Varningar .....	296
Problemlösning .....	297
Stenarnas placering .....	299
Underhåll av bastuklimatenheten .....	299
Bastuutrymmet .....	301
Bastuns ventilation .....	301
Aggregatets effekt .....	302
<b>MONTERING</b>	
Före montering .....	304
Golvstativ för aggregat .....	305
Mått .....	306
Leveransinnehåll .....	308
Enhetens delar .....	309
Installationsanvisningar .....	310
Elanslutningar .....	317
Montering och byte av värmeelementen .....	321
Garanti .....	323
<b>Monteringsprotokoll</b> .....	325

Sa

Sa



## SÄKERHETS- INFORMATION

Dessa instruktioner för montering och användning är avsedda för bastuns ägare eller underhållsansvarig samt för den elektriker som ansvarar för att installera bastuaggregatet med klimatetenhet. När bastuaggregatet med klimatetenhet har installerats ska detta dokument överlämnas till ägaren eller underhållsleverantören.

Läs igenom monterings- och säkerhetsanvisningarna innan du börjar använda bastuaggregatet **Saunum Premium** med klimatetenhet (nedan kallad "bastuklimatetenhet").

Bastuklimatetenheten är avsedd för att värma upp bastun till 60–100 °C och för att anpassa klimatet i bastun under bastubad.

**Obs! Bastuns klimatetenhet och bastuaggregatet får inte användas vid temperaturer över 100 °C!**

**Obs! Bastuklimatetenheten Saunum Premium är utformad för att användas tillsammans med LEIL-styrenheten vid temperaturer på upp till 100 °C.**

**Obs! Om bastuklimatetenheten Saunum Premium används tillsammans med styrenheter från andra tillverkare får temperaturen inte överskrida 90 °C!**

**Obs! Denna bruksanvisning gäller bara för privata bastur. Särskilda villkor gäller för offentliga bastur och bestäms tillsammans med tillverkaren.**

**Obs! Tillverkaren ansvarar inte för felaktig användning av enheten!**

**Obs! Använd inte bastuklimatetenheten för något annat ändamål än det avsedda!**

**Obs! För att bastuklimatetenheten ska kunna anslutas till elnätet krävs en styrenhet för eldrivna bastuaggregat. Styrenheten måste motsvara aggregatets effekt enligt Tabell 1.**

Styrenheten måste kunna styra bastuklimatetenhetens fläkt. Vi rekommenderar även att den har en funktion för att samtidigt stänga av aggregatet och fläkten.

**För att säkerställa att enheten håller länge är det viktigt att temperaturen i bastun inte överskrider 80 °C i höjd med aggregatets nedre del.** Om detta sker kommer det termiska skyddet att aktiveras och fläkten kommer att stanna. Fläkten kommer att starta igen när temperaturen sjunker under säkringens gränsvärde.

Tillverkaren ansvarar inte för funktionsfel som orsakas av att den godkända drifttemperaturen överskrids.

Tabell 1

ENHET	EFFEKT	SKYDD 3-fas	ELKABEL mm <sup>2</sup>		Takets minimihöjd	Minsta säkerhetsavstånd kring aggregatet	Bastuns volym m <sup>3</sup>
			3-fas	1-fas/fläkt			
Saunum Premium	6 kW	C10	5 x 2,5	5 x 0,75*	200 cm	50 mm från sidorna, 75 mm från framsidan, höjd till taket 1000 mm (från stenarna)	5–8
Saunum Premium	9 kW	C16	5 x 2,5	5 x 0,75*	200 cm	50 mm från sidorna, 100 mm från framsidan, höjd till taket 1000 mm (från stenarna)	9–12

\* Med Saunum-styrenheten Leil min 5 x 0,75 mm<sup>2</sup> / med valfri annan styrenhet 3 x 1,5 mm<sup>2</sup>

**Obs! Den maximala temperaturen i höjd med styrenhetens temperatursensor (30 cm+ från aggregatet och 5 cm från taket) är 100 °C.**

Sa

## UPPVÄRMNING

### AV BASTUN

Innan du använder bastuklimatenheten för första gången måste du kontrollera att

- elanslutningarna uppfyller kraven
- försörjningsspänningen motsvarar den tillåtna märkspänningen för bastuklimatenheten
- skyddsledaren fungerar
- fästena till enhetens hus är funktionsdugliga
- bastuklimatenheten är korrekt fastmonterad på väggen och väggen kan bära upp enhetens vikt tillsammans med stenarna
- överströmsskydd fungerar korrekt
- fläktrotorn roterar fritt
- det inte finns några verktyg eller material kvar i enhetens hus efter montering.

Kontrollera följande när bastuklimatenheten slås på:

- luftflödets riktning – luftintag genom den övre och utblås genom den nedre öppningen
- att det inte vibrerar eller bullrar högt när fläkten går.

När bastuklimatenheten slås på för första gången kommer aggregatet och stenarna att avge en lukt. Ventilera bastun ordentligt för att få bort lukten.

Om aggregatets effekt är lämplig för bastuns storlek tar det 45–90 minuter att uppnå önskad temperatur i en korrekt isolerad bastu. Normalt värms stenarna upp till rätt temperatur för bastuånga samtidigt som bastun.

Slå på enhetens fläkt precis innan du går in i bastun – då undviker du att bastulaven överhettas och att onödigt mycket energi förbrukas. **Saunums rekommenderade temperatur vid användning av bastun är 65 °C till 80 °C.**

## ANVÄNDNING AV BASTUKLIMATENHETEN

**Obs!** Se alltid till att det inte finns några föremål ovanför eller i närheten av bastuklimatenheten innan du slår på den.

Drifttiden för bastuklimatenheten **Saunum Premium** kan ställas in med en separat styrenhet.

- Anslut inte enheten direkt till elnätet!
- Bastuklimatenheten får inte användas om höljets komponenter har tagits bort och/eller kopplingsschemat har ändrats.
- Barn får inte komma åt eller leka med bastuklimatenheten.
- Följ bruksanvisningen för den

Sa

styrenhet du använder när bastuklimatenheten slås på och av.

**Obs!** Kontrollera att alla bastuklimatenhetens komponenter har stängts av efter avslutat bastubad (uppvärmning har upphört och fläkten har stannat).

## INSTÄLLNING AV TEMPERATUR

**Obs!** Vi rekommenderar att bastuklimatenhetens fläkt hålls avstängd medan bastun värms upp!

Då värms bastun upp snabbare och bastulaven blir inte för varm under uppvärmningen. Prova dig fram till rätt inställning, börja från den lägsta temperaturen och ett minimalt luftflöde. Om temperaturen blir för hög när du är i bastun sänker du maxtemperaturen eller hastigheten på bastuklimatenhetens fläkt.

## INSTÄLLNING AV BASTUKLIMAT

Styrkan på luftcirkulationen som genereras av enheten regleras med ett vred som finns nere till vänster på enhetens framsida. Vredet har fyra positioner och kan vridas både med- och moturs. När randen på vredet pekar åt vänster är bastuklimatenhetens fläkt avstängd.

Luftflödet höjs genom att vrida vredet medurs. Du kan välja mellan tre olika hastigheter. På vänster sida om varmluftsrörets fot, bakom enhetens stendlåda, finns ett luftspjäll som kan användas för att ställa in bastuns lufttemperatur (se sidan 309). Vi rekommenderar att kylspjället hålls öppet till 1/3. För att kyla ångan ska spjället öppnas lite i taget.

## ANVÄNDNING AV HIMALAYASALTKULOR

Med bastuklimatenheten medföljer Himalayasaltkolor. Det är valfritt att använda saltkolor i enheten och det påverkar inte enhetens huvudfunktion.

Saltkulorna ska placeras i kulhållarna mellan luftutblåsgallret och fläkten. Säkerställ att saltkulorna placeras korrekt och inte hindrar fläktrotationen.

För att lägga dit eller ta bort saltkulorna tar du bort luftutblåsgallret (se sidan 316) och placerar saltkulorna i hållarna. Sätt gallret på plats igen när du har placerat eller tagit bort saltkulorna. Bastuns klimatenhet får bara användas när luftutblåsgallret sitter på plats! Använd/starta inte enheten om saltkulorna har hamnat i fläkthuset!

**Obs!** Enhetens garanti täcker inte användning av saltkolor från tredjepartsleverantörer.

Sa

## HÄLLA VATTEN PÅ AGGREGATET

Luften i bastun blir torr när den värms upp. Därför behöver ånga genereras för att uppnå en lämplig luftfuktighet. Värme och ånga påverkar olika människor på olika sätt. När du testar bastuklimatenhetens olika inställningar kommer du att hitta den kombination av temperatur och luftfuktighet som passar dig bäst.

**Bastuskopans volym får inte överskrida 0,2 liter. När du häller på vatten får inte mängden vatten överskrida 0,2 liter – om du häller för mycket vatten på stenarna på en gång kan en del av det kokheta vattnet stänka.**

Säkerställ att personerna i bastun befinner sig på ett säkert avstånd från aggregatet när du skapar ånga! Het ånga och heta vattenstänk orsakar brännskador. Det vatten som hålls på aggregatet måste uppfylla kraven för rent hushållsvatten. Endast doftämnen som är avsedda för bastu får användas i vattnet. Följ instruktionerna på förpackningen.

**Obs!** Häll inte vatten i bastuklimatenhetens ventilationsöppningar!

## VARNINGAR

- Om du stannar länge i bastun höjs din kroppstemperatur, vilket kan vara skadligt för hälsan!
- Vidrör inte det varma aggregatet – du kan bränna dig på stenarna och aggregatets utvändiga yta!
- Lämna inte barn, funktionshindrade eller personer med sjukdomar i bastun utan uppsikt!
- Rådgör med läkare om medicinska kontraindikationer för ånga!
- Rådgör med läkare om medicinska kontraindikationer för saltbehandling!
- Säkerställ att du inte är allergisk mot saltbehandling. Saunum tar inte ansvar för biverkningar från saltbehandling!
- Rådgör med en barnläkare eller din husläkare om att låta barn vistas i bastun!
- Var försiktig när du rör dig i bastun – laven och golvet kan vara hala!
- Bada aldrig bastu om du är påverkad av alkohol, mediciner eller droger!
- Sov inte i bastun när den är varm!

Sa

## PROBLEMLÖSNING

- Havsluft och fuktiga klimat kan leda till att ett oxidlager (rost) bildas på aggregatets metallytor!
- Säkerställ att ventilationen i bastun är tillräcklig. Saunum ansvarar inte för eventuell saltkorrosion på utrustning. Rådgör vid behov med en specialist!
- Torka inte handdukar och kläder i bastun – det kan leda till brand!
- Hög fuktnivå kan leda till skador på den elektriska utrustningen!
- Det får inte finnas några hinder närmare än 50 cm från fläktöppningen!
- Personer i bastun får inte ha sina fötter eller andra kroppsdelar närmare än 50 cm från fläkten!

**Obs! Elaggregatet måste ha en kontrollpanel och stenar.**

**Obs!** Lämna inte klimatenhetens fläkt i gång när du inte är i bastun, eftersom det leder till onödigt hög energiförbrukning och en alltför varm bastulav!

**Obs!** Kontakta en behörig underhållsspecialist när underhåll ska utföras.

**Vid störningar när bastuklimatenheten används måste den omedelbart stoppas och enheten kontrolleras av en person som är auktoriserad av Saunum.**

**BASTUKLIMATENHETEN VÄRMER INTE UPP ELLER BLÅSER INTE UT LUFT.**

- Kontrollera att aggregatets säkringar fungerar korrekt.
- Kontrollera att elkabeln är ansluten.
- Kontrollera att bastuklimatenheten är påslagen.
- Höj maxtemperaturen i bastun.

**BASTUN VÄRMS UPP LÅNGSAMT. VATTEN SOM HÄLLS PÅ STENARNA KYLER SNABBT NER DEM.**

- Kontrollera att bastuklimatenhetens luftcirkulationsfläkt är avstängd under uppvärmning.
- Kontrollera att klimatenhetens säkringar fungerar.
- Kontrollera att alla värmeelement är synligt varma (glöder) när bastuklimatenheten är i gång.
- Höj den valda temperaturen på styrenheten.

## Sa

- Kontrollera att aggregatets effekt är tillräcklig.
- Kontrollera stenarna. Stenar som har placerats för tätt ihop eller har fallit/sjunkit ihop över tid, eller fel typ av sten kan hindra luftflödet genom aggregatet negativt och därigenom sänka uppvärmningshastigheten.
- Kontrollera att ventilationen i bastun är korrekt.

#### BASTUN VÄRMS UPP SNABBT, MEN STENARNAS TEMPERATUR ÄR FÖR LÅG. VATTEN SOM HÄLLS PÅ STENARNA RINNER NER.

- Kontrollera att aggregatets effekt inte är för hög. Om aggregatets effekt är lämplig för bastuns storlek tar det 45–90 minuter att uppnå önskad temperatur i en korrekt isolerad bastu.
- Kontrollera att ventilationen i bastun är korrekt.
- Sänk hastigheten på klimatenhetens fläkt.

#### VÄGGBEKLÄDNADEN ELLER ANNAT MATERIAL NÄRA AGGREGATET BLIR SNABBT MÖRKA.

- lakta nödvändiga säkerhetsavstånd.
- Kontrollera stenarna. Stenar som har placerats för tätt ihop eller har fallit/sjunkit ihop över tid, eller fel

typ av sten kan hindra luftflödet genom aggregatet negativt och därigenom sänka uppvärmningshastigheten.

- Kontrollera att inga värmeelement syns mellan stenarna. Om värmeelementen är synliga ska du flytta om de nedkylda stenarna så att värmeelementen blir helt täckta.

**Obs!** Om stenarna är för glest utplacerade kan värmeelementen överhettas och klimaten i bastun försämras. Detta kan leda till risk för brand!

#### TRÄYTORNA I BASTUN BLIR MÖRKA ÖVER TID.

Den här processen kan påskyndas genom

- solljus
- värme från aggregatet
- väggskydd (skyddsmaterial med dålig värmebeständighet)
- fina partiklar från stenarna.

#### AGGREGATET AVGER LUKT.

- Se avsnittet UPPVÄRMNING AV BASTUN på sidan 294.
- När aggregatet är varmt kan dåliga lukter som blandas med luften förstärkas, men detta orsakas inte av bastun eller aggregatet. Möjliga orsaker är färg, lim, olja, parfym osv.

## Sa

#### BASTUKLIMATENHETEN BULLRAR.

- Fläkten är inte helt ljudlös när den är i gång. Om ljudet inte är jämnt och/eller åtföljs av ett metalliskt ljud behöver fläkten antagligen underhållas eller repareras. Kontrollera att det inte finns några främmande föremål i fläktens ventilationsmunstycket.
- Testa att starta fläkten med lägre hastighet.
- Höga ljud orsakas troligen av stenar som spricker på grund av värmen.
- Termisk expansion av aggregatets delar kan också orsaka buller när aggregatet värms upp.

#### STENARNAS PLACERING

Hur stenarna placeras påverkar aggregatets funktion på ett väsentligt sätt.

#### Det är viktigt att tänka på att

- stenarnas diameter ska vara 5–10 cm
- endast stenar som är särskilt avsedda för bastur får användas i aggregatet
- lätta, porösa keramiska "stenar" eller mjukt tegel får inte användas i aggregatet då de inte ackumulerar tillräckligt med värme, vilket kan leda till att värmeelementen skadas

- tvätta bort eventuell smuts från stenarna innan de placeras i aggregatet.

**Obs!** Använd alltid polerade bastustenar av god kvalitet i aggregat från Saunum. Spruckna stenar med vassa kanter kan skada värmeelementen och förkorta deras livslängd.

Tänk på följande när du lägger på stenarna:

- Se till att stenarna inte faller ner i aggregatet.
- Tvinga inte ner stenarna mellan värmeelementen.
- Låt inte stenarna vila på värmeelementen med sin egen tyngd, utan placera stenarna så att de vilar på varandra.
- Stapla inte stenarna på aggregatet.
- Placera inte föremål nära stenkorgen eller bastuklimatenhetens fläkt på ett sätt som kan påverka volymen eller riktningen på den luft som flödar genom bastuklimatenheten.

#### UNDERHÅLL AV BASTUKLIMATENHETEN

Stenarna tenderar att brytas ner på grund av de stora temperaturändringarna. Stenarna måste staplas om minst en gång om året och ännu oftare om bastun används ofta. Ta bort alla stenfragment från botten

Sa

av aggregatet och byt ut trasiga stenar mot nya när du staplar om stenarna. Genom att hålla koll på detta bevaras aggregatets uppvärmningskapacitet och risken för överhettning undviks.

Om du använder Himalayasaltkolor tillsammans med bastuklimatenheten rekommenderar vi att du kontrollerar kulorna en gång om året och vid behov byter ut slitna och trasiga kulor mot nya. Säkerställ att det inte finns några främmande föremål i ventilationsmunstyckena på bastuklimatenhetens fläkt.

**VAR FÖRSIKTIG!** Före underhåll och rengöring av bastuns klimatenhet ska enhetens strömförsörjning kopplas från elnätet. Vänta sedan tills enhetens rörliga delar har stannat helt.

Kontrollera följande innan underhåll och rengöring av bastuklimatenheten:

- enheten är frånkopplad från elnätet (förutom enhetens strömbrytare även från överströmsskydden)
- fläkten har stannat helt
- obligatorisk arbetssäkerhets- och personlig skyddsutrustning används när arbetet utförs
- anslutningskablarna är inte skadade. Om anslutningskablarna är skadade ska de bytas ut mot nya av en behörig elektriker enligt gällande standarder och krav innan du fortsätter med underhålls- och rengöringsarbetet.

Enhetens hölje kan rengöras med en fuktig trasa. Använd inte trycktvätt, rinnande vatten, kemiska rengöringsmedel eller lösningsmedel för att rengöra höljet!

Använd en lösning med 10 % citronsyra för att ta bort kalk och skölj med vatten.

Kraftig nedsmutsning kan medföra att fläktrotorn blir obalanserad, vilket medför ökat buller när bastuklimatenheten används. Buller kan också bero på att fläktbladen har skadats/böjts. Säkerställ att det inte finns några främmande föremål eller saltkolor i fläktrotorns arbetsområde.

Fläkten behöver normalt sett inte rengöras mer än en gång om året. Fläkten får bara rengöras av en person som är auktoriserad av Saunum.

Om tryckluft används för att rengöra fläkten kan det medföra permanenta skador på fläktrotorn!

Fläktlagren är underhållsfria och måste bytas ut om problem inträffar.

Vi rekommenderar att alla bastuklimatenhetens elanslutningar kontrolleras minst en gång om året. Detta måste göras av en kvalificerad person.

Sa

## BASTUUTRYMME

En förutsättning vid montering av bastuklimatenheten är att rummet som ska användas för bastun har förberetts korrekt. Väggar och innertak ska vara ordentligt isolerade, annars blir tids- och energiåtgången för uppvärmning av rummet alltför hög. De strömkablar som används till bastuaggregatet och fläkten måste vara av den typ som anges på anslutningsdosan och följa informationen som anges i tabell 1 (se sida 292-293).

## BASTUNS VENTILATION

Luften i bastun måste omsättas minst sex gånger i timmen.

Om du använder en mekanisk frånluftsventil placerar du luftintaget ovanför bastuklimatenheten. Om du använder en naturlig frånluftsventil placerar du luftintaget under eller bredvid bastuklimatenheten. Luftintagsrörets diameter måste vara 80–100 mm.

Montera frånluftsventilen nära golvet, så långt som möjligt från bastuklimatenheten. Frånluftsrörets diameter måste vara dubbelt så stor som tilluftsåret. Om frånluftsventilen finns i duschutrymmet måste det finnas en spalt på minst 100 mm under dörren till bastun.

**Frånluftsventilation i bastun är obligatorisk.**

Ventilationshålet för torkning (valfritt) ska monteras i innertaket nära väggen mitt emot bastuklimatenheten (stängs under uppvärmning och när bastun används). Bastun kan också torkas genom att lämna dörren öppen efter användning.

Ventilationssystem ska om möjligt förhindra att frånluft från bastun kommer in i andra rum, särskilt om bastuklimatenheten används med saltkolor.

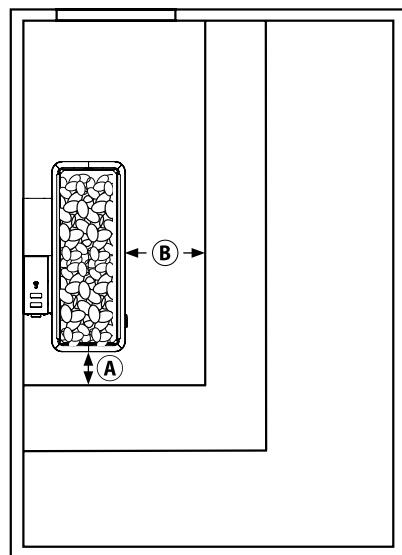
Sa

**BASTUAGGREGATETS****EFFEKT**

Om isoleringen bakom vägg- och takbeklädnad är tillräcklig avgörs aggregatets effekt av basturummets volym, d.v.s. 1 kW per varje m<sup>3</sup>. Vid oisolerade väggar (tegel, glasblock, betong, golvplattor m.m.) krävs ett kraftfullare aggregat. Lägg till 1,2 m<sup>3</sup> till bastuns volym för varje kvadratmeter med oisolerad vägg.

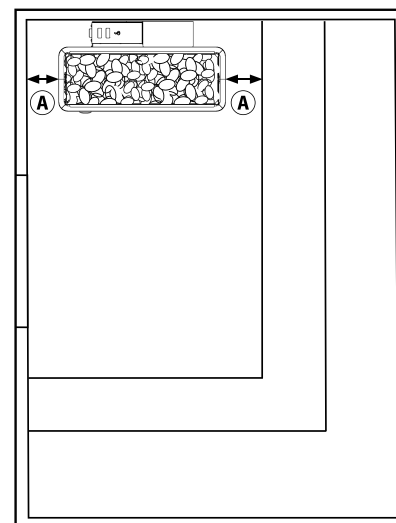
**Exempel:** en 10 m<sup>3</sup> bastu med en glasdörr har samma kapacitetskrav som en 12 m<sup>3</sup> bastu. Om bastun har timmerväggar ska volymen multipliceras med 1,5. Optimala storlekar för en bastu med bastuklimataggregatet Saunum Premium anges i tabell 1 (se sida 292–293). Bastuns höjd är vanligen mellan 2100 mm och 2300 mm.

Minimihöjden för att installera bastuklimatenheten Saunum Premium är 2000 mm.



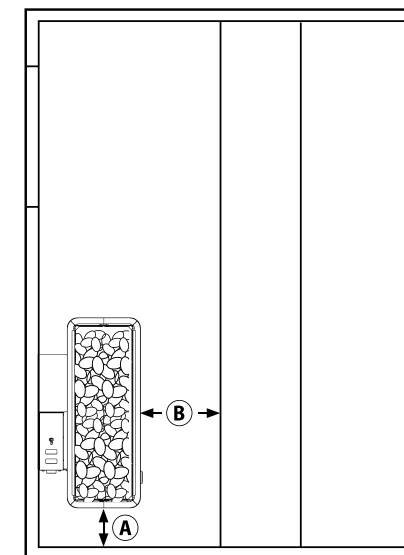
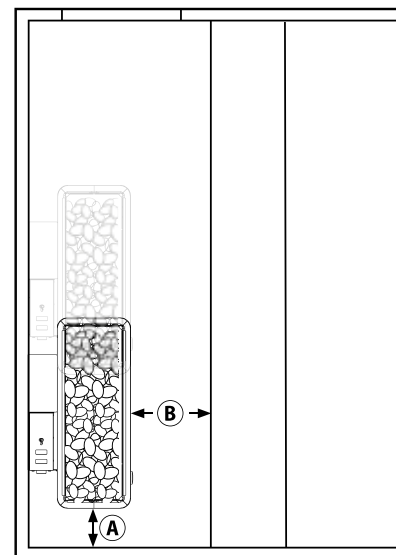
**Säkerhetsavstånd för Saunum Premium-aggregatet och dess rekommenderade placering i bastun.**

Sa



- Saunum Premium 6 kW – A > 50 mm och B > 75 mm
- Saunum Premium 9 kW – A > 50 mm och B > 100 mm

**Enheten kan placeras med sin baksida mot bastuutrymmets väggnar!**





Sa

## FÖRE MONTERING

Monteringen av bastuklimatenheten ska utföras av en behörig elektriker. Enheten ska anslutas på en stabil plats med en kabel som är avsedd för de aktuella temperaturförhållandena. Skyddsjord ska anslutas till enhetens anslutningskontakt med en tvärsnittsarea för kabeln på minst 2,5 mm<sup>2</sup>. Enheten måste strömförsörjas från styrenhetens matningskrets som skyddas av överströmsskydd. Nödvändiga värden för överströmsskydd och mått på anslutningskablar anges i tabell 1 (se sida 292–293).

Alla certifierade bastustyrenheter med en driftkapacitet som motsvarar kapaciteten för den Saunum Premium-modell som används (se tabell 1 på sida 292–293) kan användas för att styra bastuklimatenheten.

**Läs monteringsanvisningarna innan monteringen påbörjas och beakta följande:**

- Effekten och typ av aggregat är lämplig för det aktuella basturummet. Den rekommenderade volymen för bastun anges i tabell 1 (se sida 292–293).
- Matningsspänningen är lämplig för bastuklimatenheten.
- Bastuklimatenhetens monteringsställe tillåter de minimisäkerhetsavstånd som anges i tabell 1 (se sida

292–293), uppmätta från aggregathöljet.

- Modellens mått (väggmonterad och med golvstativet) anges på sida 306 (MÅTT).
- Se också till att fläktutsläppets övre kant ligger lägre än bastulavens nedre kant.
- Det får inte finnas några hinder framför enhetens utblåsöppning. Utblåsluften måste kunna strömma fritt genom bastun.
- Enheten fungerar bäst när kåpan på dess varmlufts rör monteras mot bastuns tak och frånluften riktas under bastulaven.

Enheten får dock inte placeras så att aggregatets övre kant är högre än 80 cm från golvet. Enheten är utformad för väggmontering med skruvar på 6 mm (nedre delen) och 5 mm (varmlufts rørets kåpa). **Väggen där bastuklimatenheten placeras måste kunna bära upp en vikt på minst 130 kg.** Typen av förankringar måste vara anpassad till den bärande strukturens egenskaper. Monteringsmetoden måste garantera att enheten sitter fast säkert i väggen!

**Säkerhetsavstånden måste ovillkorligen följas. Om detta inte görs kan det utgöra en brandfara. Endast en bastuklimatenhet får installeras i basturummet.**

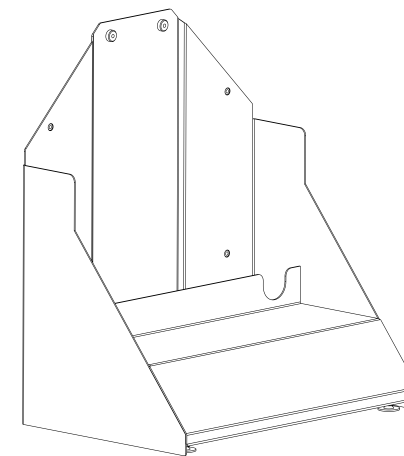
Sa

## AGGREGATETS GOLVSTATIV

I de fall där det inte går att sätta fast Saunum Premium i väggen (till exempel om väggen inte klarar vikten av aggregatet med stenar eller om enheten ska monteras mot en glasvägg) kan ett särskilt golvstativ fästas mot aggregatet (se MONTERINGSANVISNINGAR, s. 312. Golvstativet medföljer inte med standardprodukten, utan måste beställas separat från återförsäljaren.

Enheter med golvstativ är inte avsedda för användning fristående i mitten av ett rum och får inte användas på detta sätt. Golvstativet ska placeras på ett jämnt golv med baksidan mot väggen och vara fast förankrad mot väggen. Fötterna måste justeras så att enheten står plant.

Vi rekommenderar att bastuklimatenheten används med säkerhetsräcken för att undvika brännskador på grund av kontakt med aggregatet. Om stativet inte kan förankras mot väggen med skruvar (t.ex. om väggen är av glas) är räckena obligatoriska.



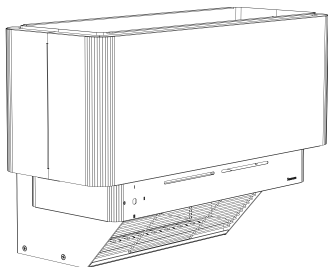


Sa

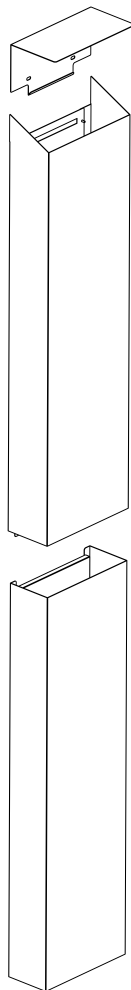
## LEVERANSINNEHÅLL

Delarna till produkten kommer i tre förpackningar: 1) aggregat, 2) varmlufts rör, 3) golvstativ.

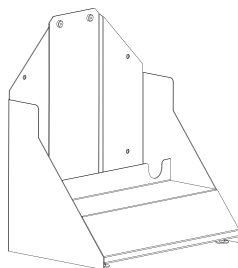
1.



2.



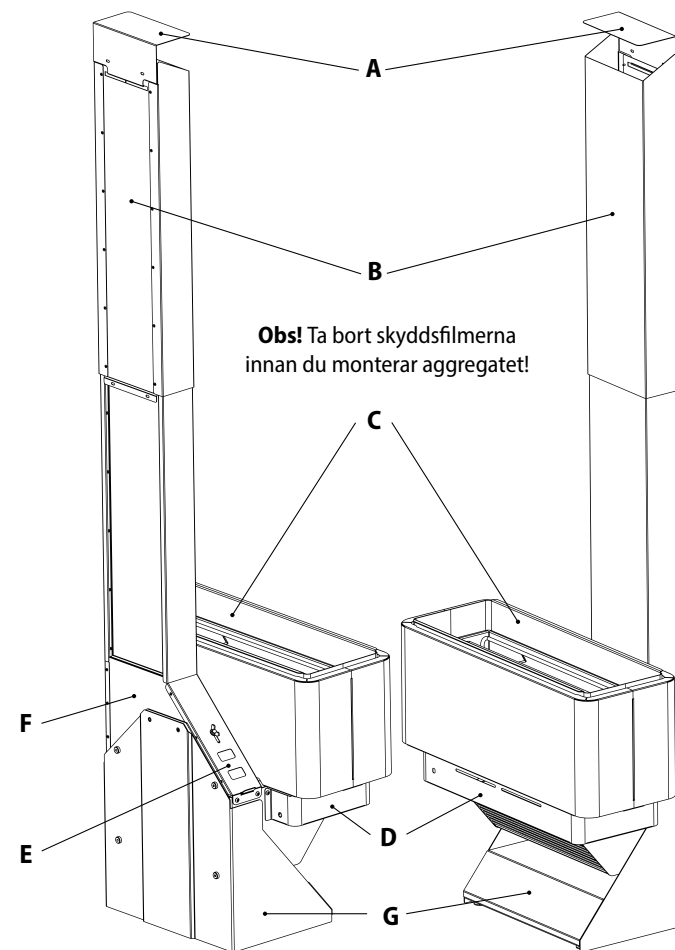
3.



**Komponenter som krävs för att använda enheten som inte medföljer med Saunum Premium:** styrenhet, elkablar, stenar och tillbehör för väggmontering. Tillbehören för väggmontering (skruvar, förankringar, pluggar etc.) måste vara anpassade till den bärande strukturens egenskaper på monteringsstället. Därför medföljer de inte med Saunum Premium.

**OBS!** Golvstativet medföljer inte med standardprodukten.

Sa



**Obs!** Ta bort skyddsfilmerna innan du monterar aggregatet!

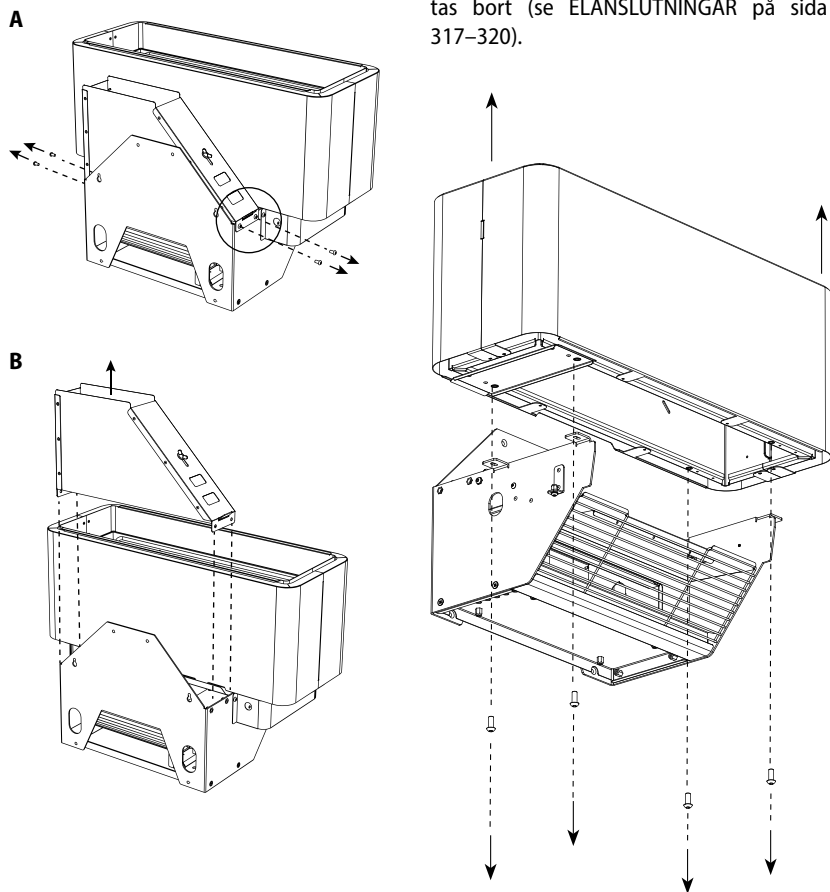
A – Varmluftsrörets kåpa  
B – Teleskoprör  
C – Stenkorg  
D – Frontpanel

E – Luftspjäll för kylning av ånga  
F – Varmluftsrörets fot  
G – Golvstativ (tillval)

Sa

## VÄGGMONTERING

1. Lossa de fyra hållarskruvarna (A) som håller fast varmluftsrörets fot och lyft av foten (B).

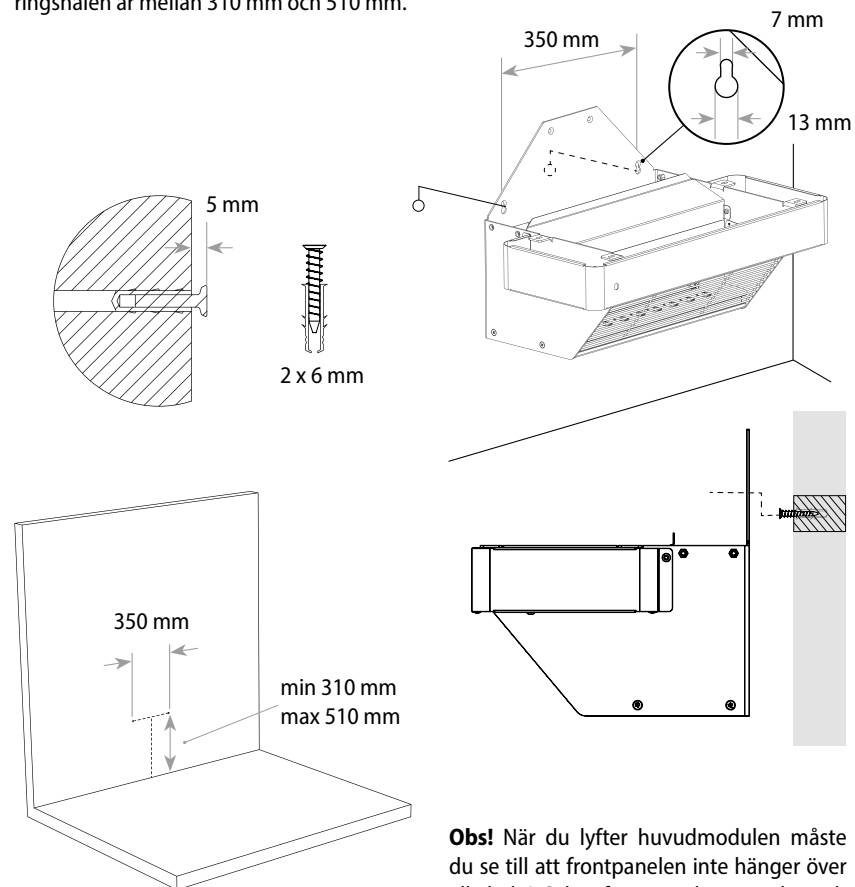


2. Separera stenkorgen från huvudmodulen. Om stenkorgen redan är fastskruvad i huvudmodulen lossar du skruvarna (4 st.) under stenkorgens undersida och lyfter av stendlådan. För att komma åt de bakre skruvarna måste frontpanelen lossas och tas bort (se ELANSLUTNINGAR på sida 317–320).

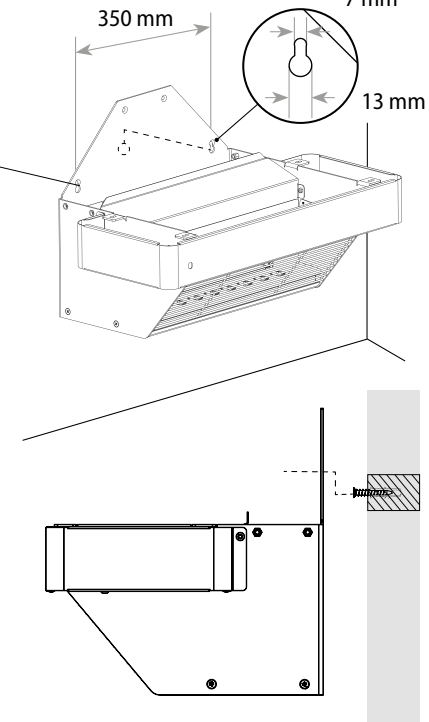
Sa

3. Dra åt skruvarna i de mellersta hålen i väggfästet mot väggen. Lämna 5 mm kvar.

**Obs!** Se till att höjden från golvet till monteringshålen är mellan 310 mm och 510 mm.



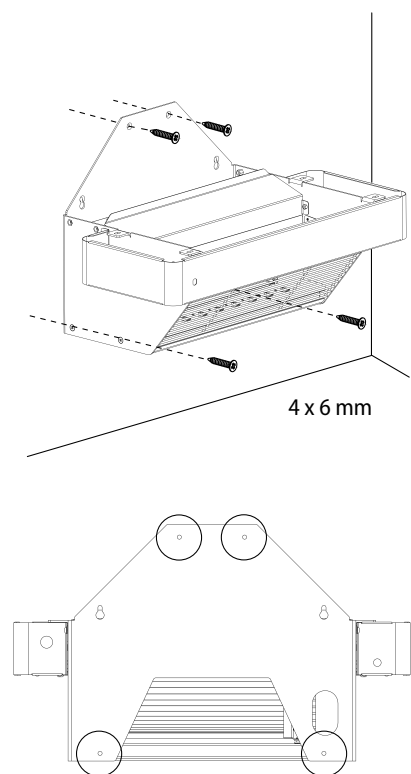
4. Lyft upp enheten på väggen så att skruvarna på väggen går in i hålen på baksidan av enheten.



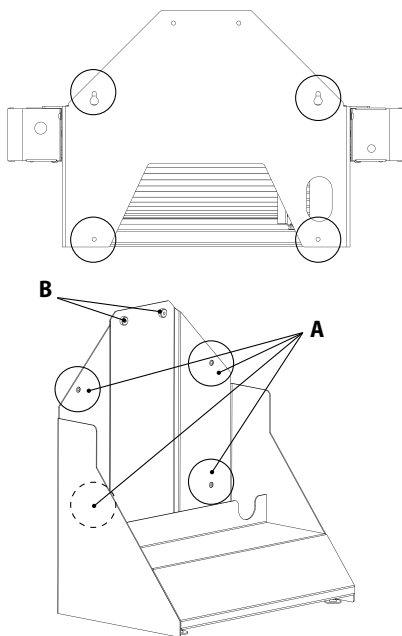
**Obs!** När du lyfter huvudmodulen måste du se till att frontpanelen inte hänger över elkabeln! Säkra frontpanelen mot huvudmodulen med minst två skruvar.

Sa

5. Skruva i de återstående fyra monteringskruvarna i de övre och nedre monteringshålen och sätt fast enheten mot väggen med dem. Enheten är nu fastsatt mot väggen på sex punkter.



5.1. För version med golvstativ (se AGGREGATETS GOLVSTATIV på sida 305). Fixera enheten mot golvstativet med fyra skruvar (A).

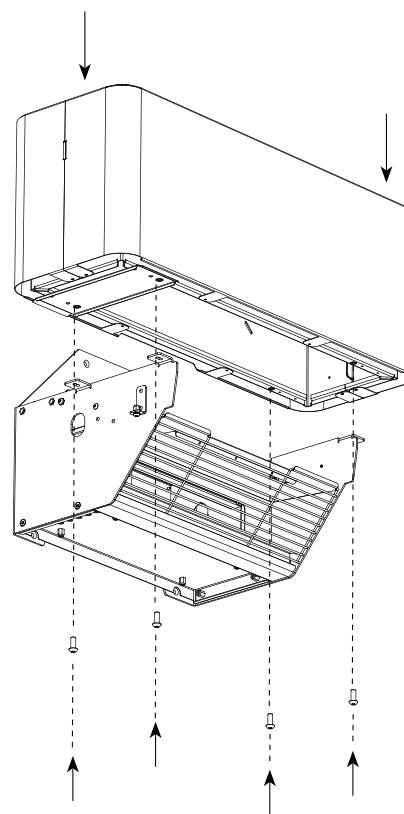


Sätt sedan enheten på plats. Golvstativet måste placeras på ett jämnt golv med baksidan mot en vägg. Justera fötterna så att enheten står plant.

**Obs!** Enheten måste förankras mot väggen via dess två monteringshål (B) för att förhindra att den tipsar! Om bastuklimatenhetsen inte kan fästas mot väggen måste du använda säkerhetsräckan kring aggregatet!

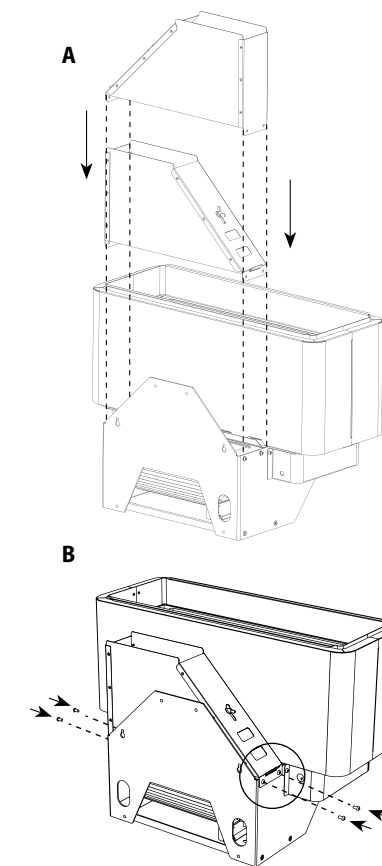
Sa

6. Sätt tillbaka stenkorgen och sätt fast den med fyra skruvar.



7. Sätt tillbaka varmluftsrörets fot på plats (A).

**Obs!** Varmluftsrörets fot kan monteras på två ställen så att varmluftsröret är till vänster eller till höger om aggregatet. Detta kan väljas av installatören. Sätt fast de fyra skruvarna (B).



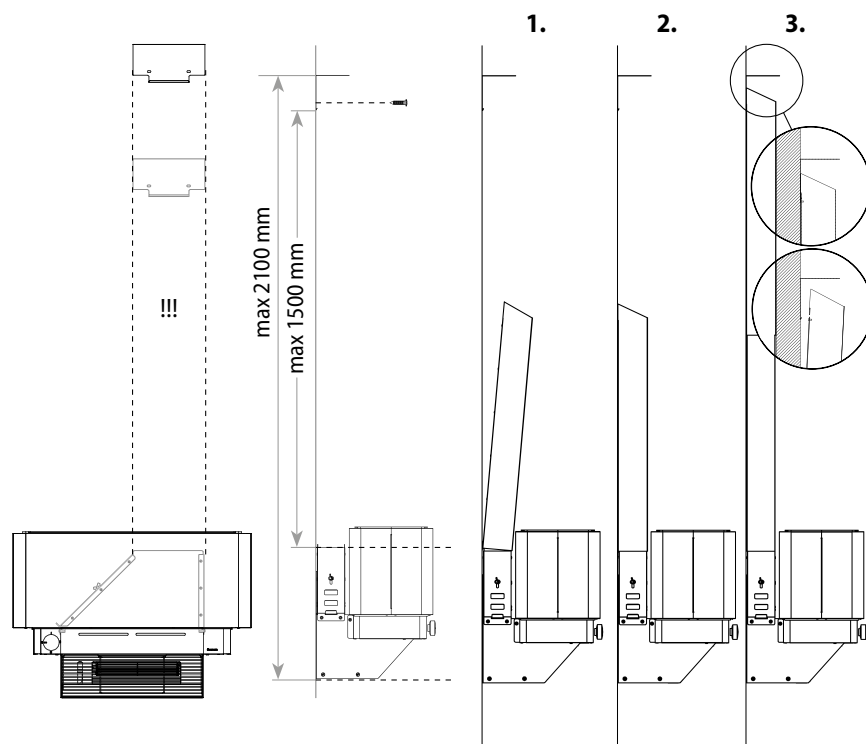
Sa

8. Sätt fast varmluftsrörets kåpa i bastuns tak med två skruvar på 5 mm.

**Obs!** Kontrollera att varmluftsrörets kåpa är placerad i linje med öppningen i varmlufts-rörets fot!

9. Placera varmluftsrörets nedre ände på foten.

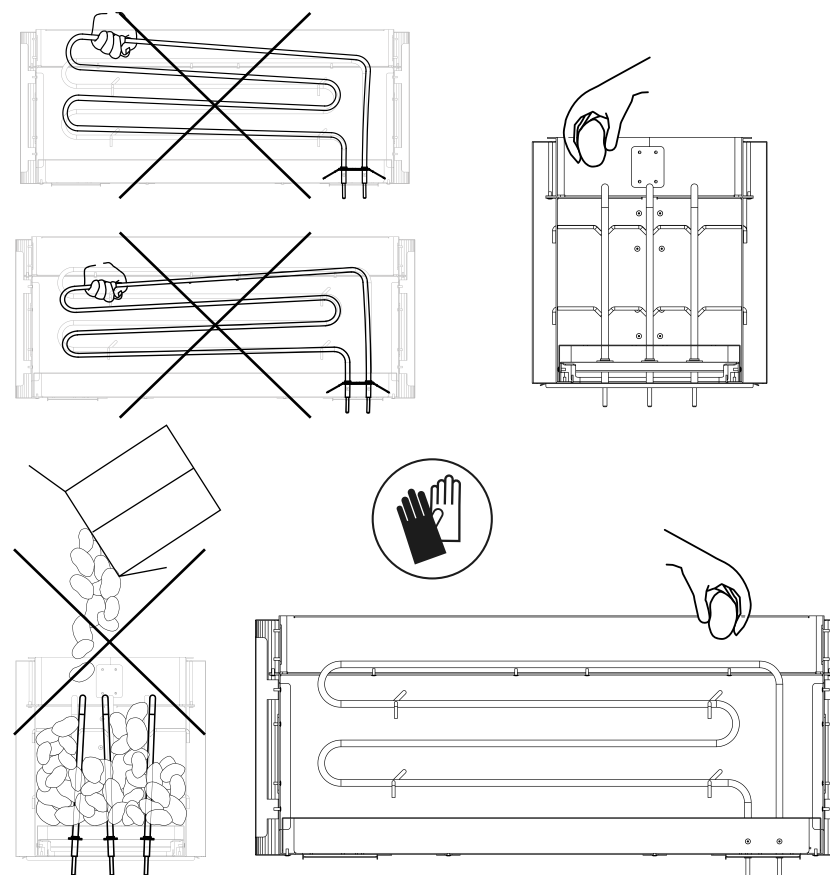
10. Sätt ihop de övre och nedre delarna av varmluftsröret och häng den övre delen mot kåpan.



Sa

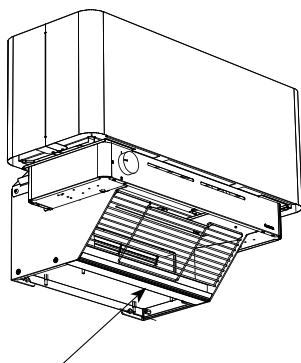
11. Montera bärstängerna till värme-elementen (se INSTALLATION OCH BYTE AV VÄRMEELEMENTEN, sida 321).

12. Fyll stenkorgen med stenar (se STENARNAS PLACERING, sida 299).



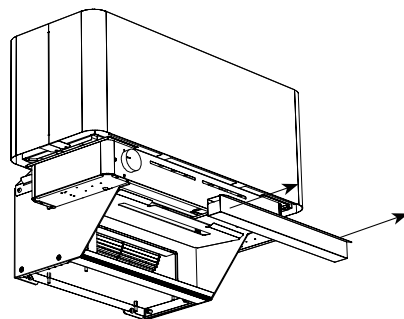
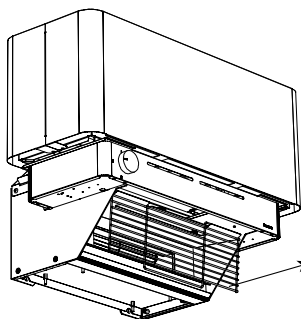
Sa

13. Sätt in saltkulorna (se ANVÄNDNING AV HIMALAYASALTKULOR, sida 295).



Ta bort luftutblåsgallret, lyft av det (se riktning på ritningen) och placera saltkulorna i hållarna. Sätt gallret på plats igen när du har placerat eller tagit bort saltkulorna.

**Bastuns klimatenhet får bara användas när luftutblåsgallret sitter på plats!**



Sa

## ELEKTRISKA ANSLUTNINGAR

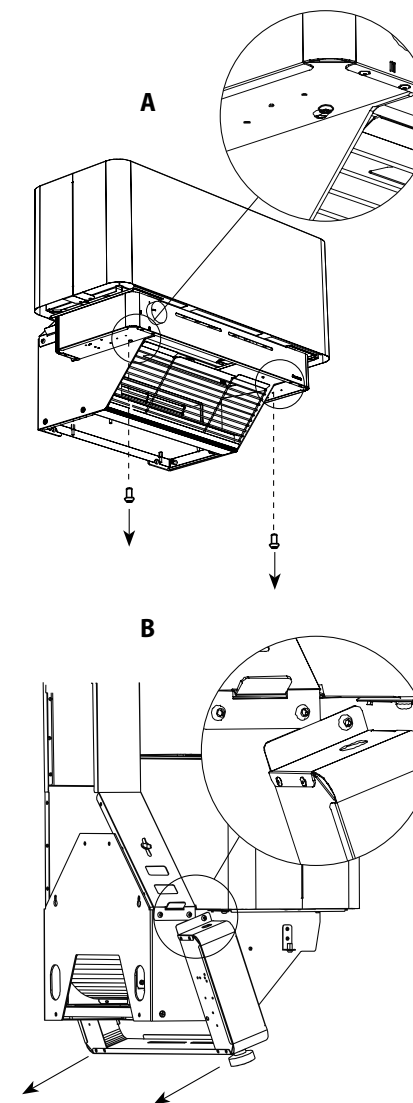
Anslut **värmeelement** enligt kopplings-schemat på sida 318.

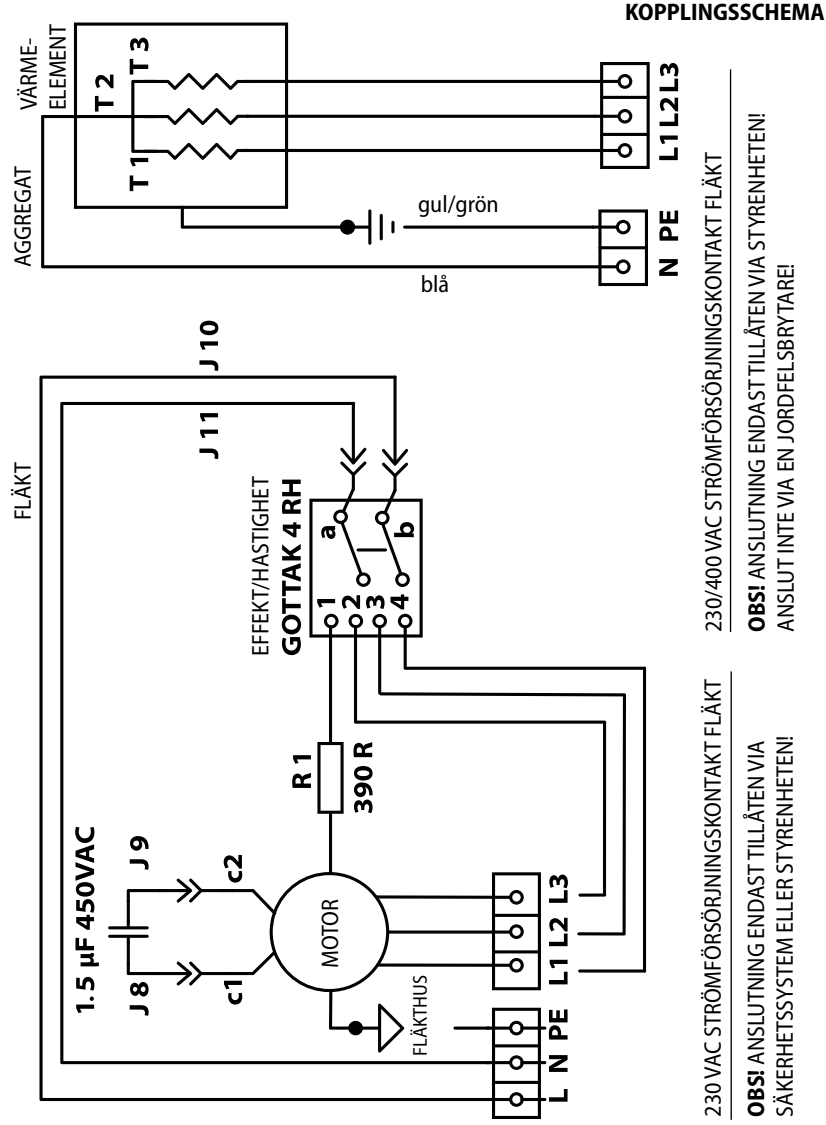
Anslut bastuklimatenheten till styrenheten.

**Anslutningen av enheten till elnätet ska utföras av en behörig elektriker i enlighet med gällande standarder och krav. Kontrollera att enhetens automatiska överspanningsskydd är frånkopplat från elpanelen innan du gör några elanslutningar!**

Bastuklimatenheten ska anslutas halvpermanent till anslutningsdosan på väggen i bastun. Anslutningsdosan måste vara stänksäker och monterad på högst 500 mm höjd från golvet.

Anslutningskabeln måste vara gummiisolerad av typ H07RN-F eller motsvarande. För att komma åt enhetens elanslutningar måste frontpanelen öppnas under stenkorgen. Lossa de två skruvarna under enheten helt för att ta av panelen (se bild A nedan). För bekvämare åtkomst kan även skruvarna på sidorna lossas (B).





Sa

Sa

**Obs! På grund av den potentiella risken för termisk förspredning är det förbjudet att använda en PVC-isolerad kabel för att ansluta till bastuklimatenheten.**

- Enhetens interna anslutningar utförs av fästklämmor enligt kopplingsdiagrammet (sida 318) och tabell 1 (sida 292–293) i den här bruksanvisningen.
- Skyddsjord ska anslutas till enhetens anslutningskontakt med en tvärsnittsarea för kabeln på minst 2,5 mm<sup>2</sup>.
- Aggregatet måste strömförsörjas via matningskretsen på 380 VAC (3-fas) eller 230 VAC (1-fas) 50/60 Hz via en styrenhet som skyddas med ett överströmsskydd med värden enligt tabell 1 (sida 292–293).
- Om du vill ansluta enhetens luftcirkulationsfläkt separat från aggregatets styrenhet måste fläkten vara ansluten via en jordfelsbrytare. I det här fallet får inte skyddsjorden till ingången för fläktens strömförsörjning till bastuns klimatenhet komma i kontakt med skyddsjorden till ingången för aggregatets strömförsörjning. I det här fallet ska jordade kablar på minst 1,5 mm<sup>2</sup> användas för att förse fläkten med ström.
- Elkabeln måste gå in i klimatenhetens hölje på ett sådant sätt att

vattnet inte rinner längs kabeln och in i elanslutningsdosan på klimatenhetens hölje. Kabelns utvändiga isolering får bara skalas av från den del som kommer att vara i enhetens hölje.

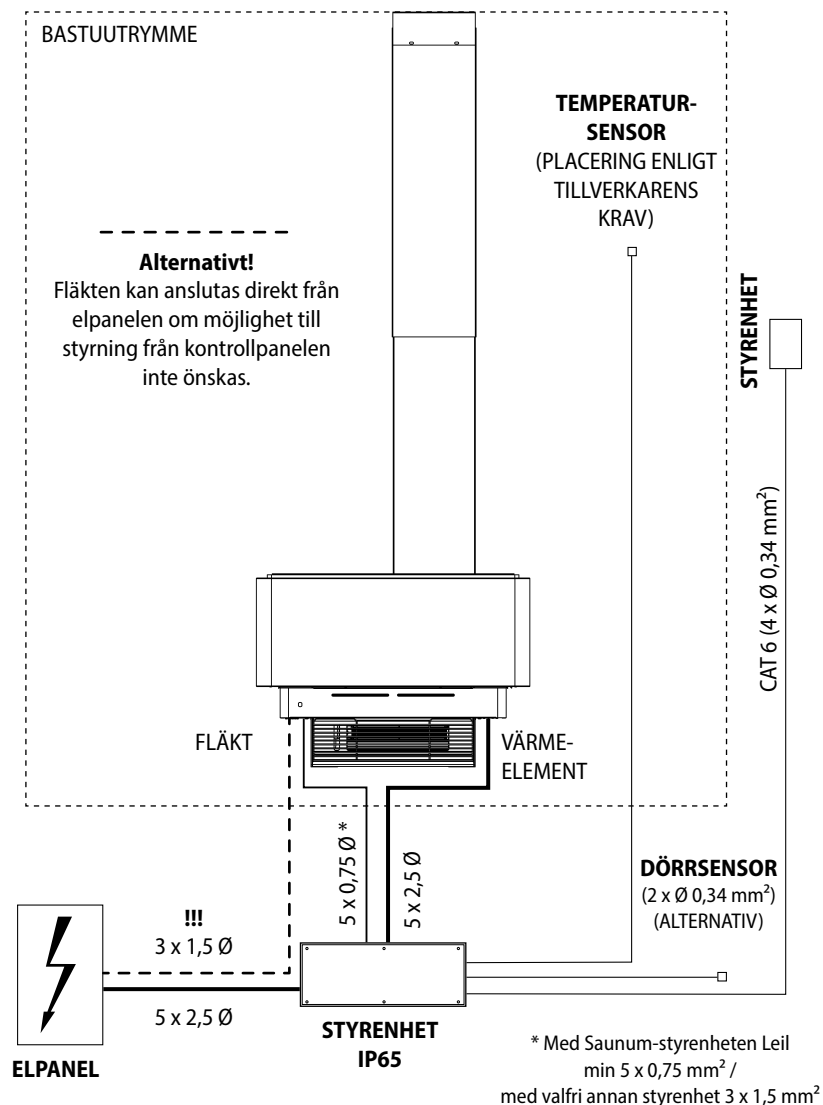
- Om anslutningen och installationskablarna sitter högre än 1000 mm från bastuns golv eller i väggarna i bastun måste de tåla temperaturer på minst 170 °C (t.ex. SSJ). Elektrisk utrustning som installeras i bastun lägre än 1000 mm måste tåla temperaturer på minst 125 °C (t.ex. T125).
- Det rekommenderade tvärsnittet för anslutningskabelns kabelränna anges i tabell 1 (se sida 292–293).

**Obs! Enheten får bara anslutas till elnätet av en behörig elektriker enligt gällande bestämmelser!**



Sa

## ELKABLAR FÖR SAUNUM PREMIUM



Sa

## ELAGGREGATETS

## ISOLERINGSRESISTANS

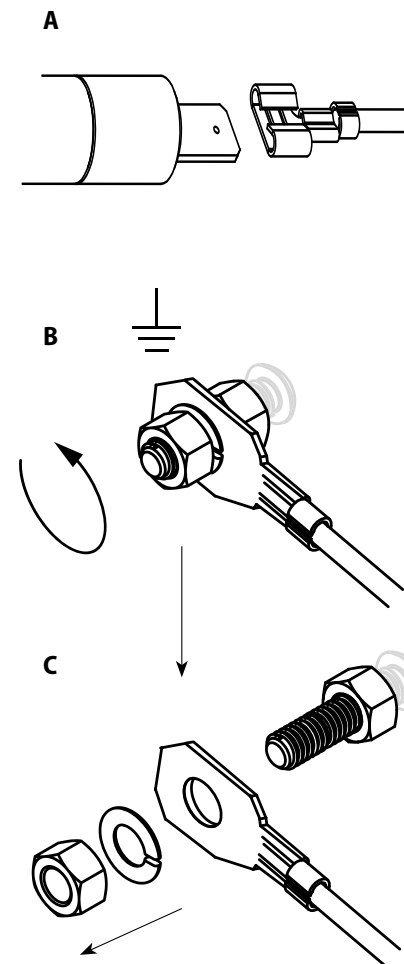
Vid slutkontroll av elinstallationen kan läckage registreras vid mätning av bastuklimatenhetens isoleringsresistans. Detta inträffar på grund av att isoleringsmaterial i värmeelementen tar upp fukt från luften (under förvaring eller transport). När bastuklimatenheten har använts några gånger försvinner denna fukt.

**Obs! Anslut inte aggregatet till elnätet via en jordfelsbrytare!**

## INSTALLATION OCH BYTE AV VÄRMEELEMENTEN

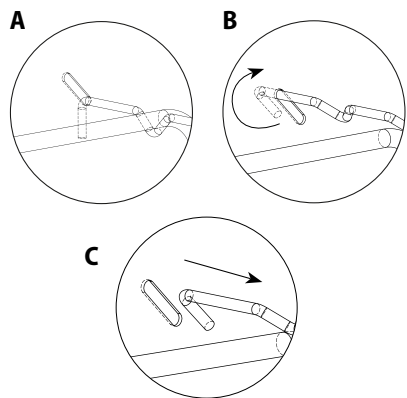
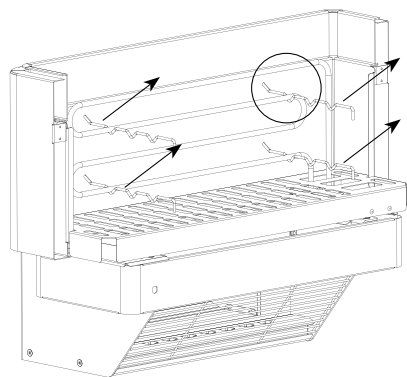
**Obs! Kontrollera att enhetens automatiska överspanningskydd är fränkopplat från elpanelen innan du byter ut några värmeelement!**

Värmeelementen är anslutna till enheten via kabeluttag (A). Kabeluttagen (6) måste kopplas från innan värmeelementen avlägsnas! Koppla bort skyddsjorden från aggregatskraven (B, C).

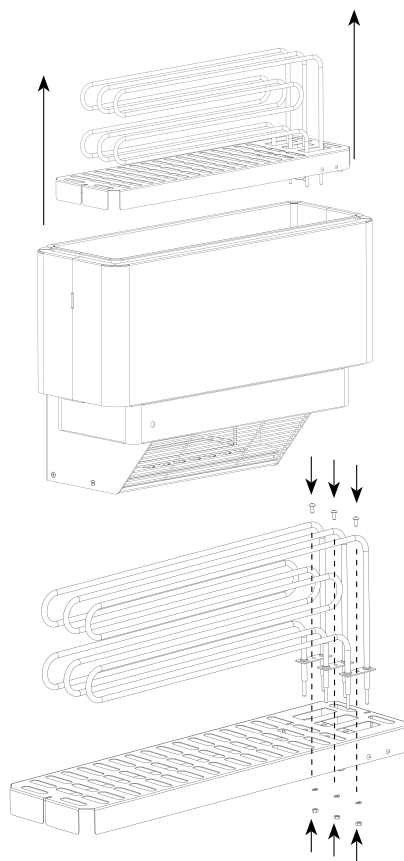


Sa

Ta sedan bort de fyra bärstängerna till värmeelementen (A). För att göra det vrider du stången så att den böjda änden av stången är parallell med hålet i huset (B), och drar sedan den lätt vinklad genom hålet, först på den ena sidan (C) och sedan på den andra.



Det går nu att lyfta ut värmeelementen från stenkorgen tillsammans med bottenplattan. Värmeelementen är fastskruvade i bottenplattan.



Efter att värmeelementen har bytts ut sätts allt fast i omvänd ordning.

Sa

## ALLMÄNNA GARANTIVILLKOR FÖR PRODUKTER FRÅN SAUNUM:

Med Saunums produktgaranti garanterar Saunum att produkten är fri från fel i material och montering under en angiven period, med början från inköpsdatumet. Om enheten under garantitiden visar sig vara defekt till följd av användning av lågkvalitativa material eller produktionsfel kommer Saunums rekommenderade reparationspartner att reparera eller byta ut enheten eller den defekta komponenten utan arbets- eller reservdelskostnader enligt nedan angivna villkor. Saunum förbehåller sig rätten att avgöra om den defekta produktkomponenten ska bytas eller om enheten ska bytas ut mot en ny. Utbyta defekta produktkomponenter förblir Saunums egendom.

### Garantivillkor:

1. Garantin gäller endast om ett ifyllt monteringsprotokoll lämnas in tillsammans med reklamationen.
2. Enheten har anslutits till elnätet av en behörig elektriker enligt gällande bestämmelser.
3. Garantitiden för bastuklimaten-

heten när den används i en privat bastu är två (2) år.

4. Garantitiden för bastuklimatenheten när den används i en offentlig bastu är ett (1) år.

### Garantin täcker inte:

1. Rutinunderhåll och rengöring av enheten och byte av komponenter på grund av normalt slitage.
2. Anpassning eller modifiering av enheten för något annat syfte än det som anges i bruksanvisningen.
3. Risker vid transport.
4. Skador som inträffar på grund av felaktig användning av enheten.
5. Skador som inträffar på grund av felaktig installation av enheten.
6. Reparationer av enheten som inte har utförts av Saunums rekommenderade reparationspartner (underhållspartner).
7. Olyckor, blixtnedslag, vatten, brand, felaktig ventilation eller annan faktor utanför Saunums kontroll.
8. Fel på grund av att stenar och saltkulor som inte rekommenderas av Saunum har använts.
9. Värmeelementen och saltkulorna.

Sa



Du hittar en lista över installations- och underhållsspecialister som rekommenderas av Saunum på Saunum Saunas OÜ:s webbplats [www.saunum.com](http://www.saunum.com) eller genom att kontakta oss på [info@saunum.com](mailto:info@saunum.com).

Underhållsanvisningar för Saunums enheter återfinns i bruksanvisningen.

**Obs!** Bastuklimatenheten får bara anslutas till elnätet av en behörig elektriker enligt gällande bestämmelser!

Läs genom hela bruksanvisningen **noggrant innan du använder enheten** och förvara den på ett säkert och lättillgängligt ställe som referensmaterial.

Sa

## MONTERINGS PROTOKOLL

Inköpsdatum: \_\_\_\_\_

Typ av aggregat: \_\_\_\_\_

Dekal/serienummer:  Installationsdatum: \_\_\_\_\_

Installationsplats: \_\_\_\_\_

Installerad av: \_\_\_\_\_

Inspekterad av: \_\_\_\_\_

Datum, underskrift: \_\_\_\_\_

Beskrivning av utförda arbeten: \_\_\_\_\_

Alla komponenter till installationen är tillgängliga \_\_\_\_\_

Det finns inga färgdefekter eller märken \_\_\_\_\_

Monterad på väggen eller golvet enligt anvisningarna \_\_\_\_\_

Elanslutningarna har utförts enligt installationsanvisningarna \_\_\_\_\_

Alla värmeelement blir varma \_\_\_\_\_

De tre fläkthastigheterna fungerar/i korrekt ordning \_\_\_\_\_

Anmärkningar: \_\_\_\_\_

Kontaktuppgifter till kund (namn, e-postadress): \_\_\_\_\_

Arbetet godkänt: \_\_\_\_\_



EU-försäkran om överensstämmelse

Tillverkare: Saunum Saunas OÜ  
Adress: Suur-Paala 19  
11415 Tallinn, Estland

intygar att produkten:

## **Bastuaggregat med klimatenhet Saunum Premium**

uppfyller kraven i följande direktiv från Europarådet, under förutsättning att installationen har utförts enligt installationsanvisningarna som utfärdats av utrustningens tillverkare och följande standarder:

EN 60 204-1 "Maskinsäkerhet. Maskiners elutrustning – del 1: Allmänna krav"  
Maskindirektivet 2006/42/EG  
Lågspänningsdirektivet 2014/35/EU  
Elektromagnetisk kompatibilitet 2014/30/EU.

# Saunum Premium

ENG • EST • RUS • GER • FRE • ITA • FIN • SWE